

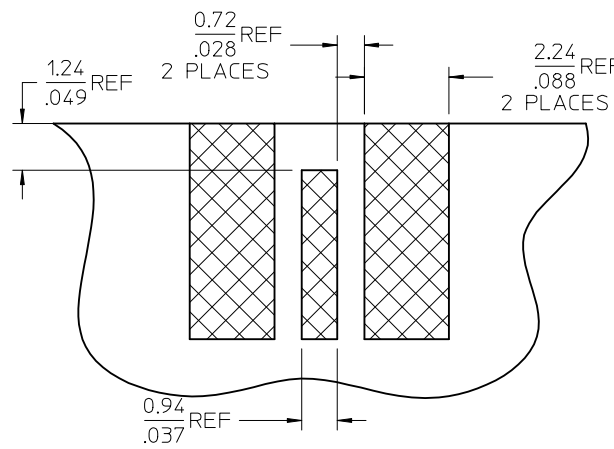
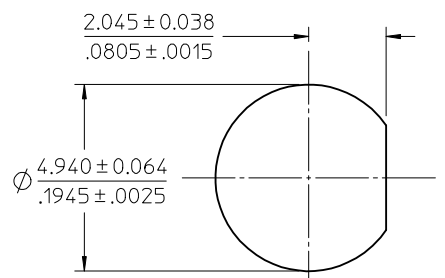
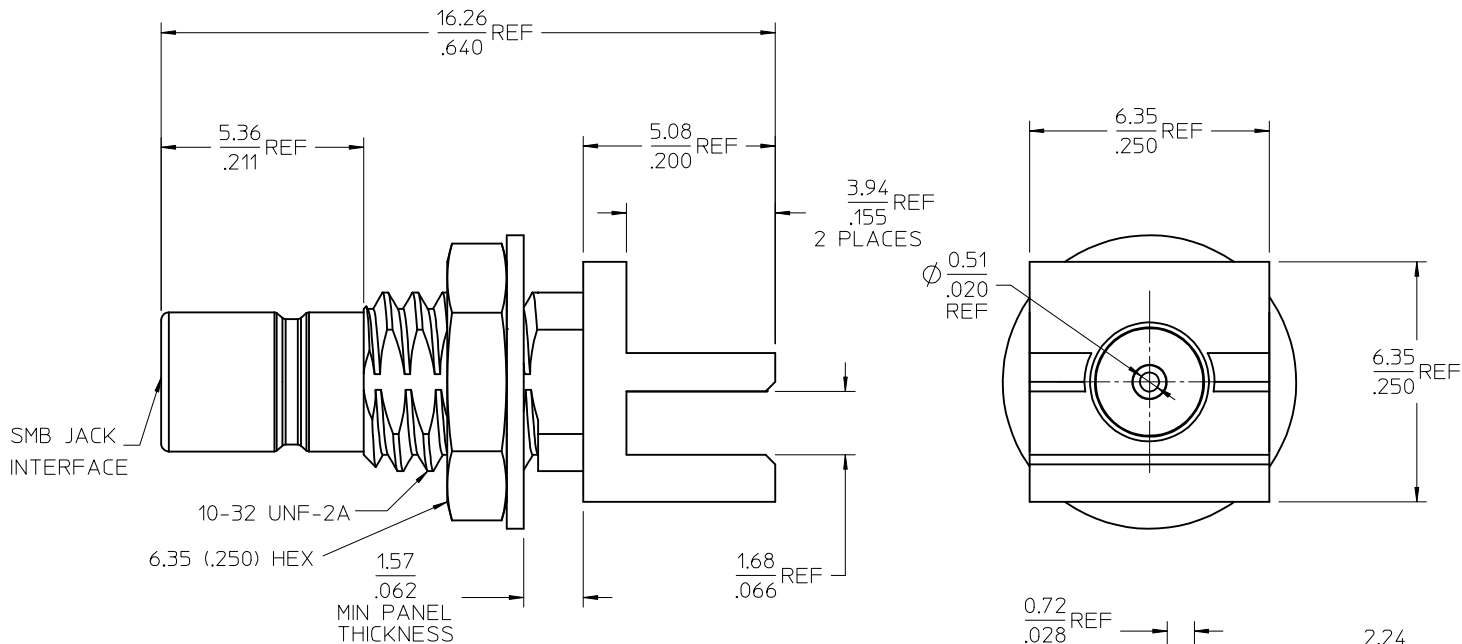
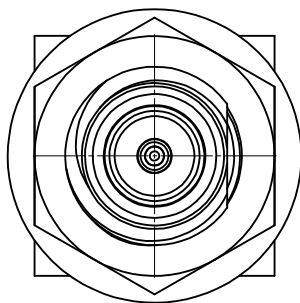
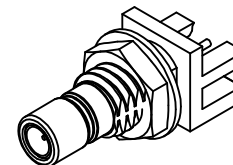
MATERIALS AND FINISHES:

BODY & JAM NUT BRASS
PLATED SEE TABLE

CONTACT BRASS
PLATED GOLD

INSULATOR TEFLON

LOCKWASHER PHOSPHER BRONZE
PLATED SEE TABLE



IMPEDANCE: 50 OHM±5%

73404-2193	GOLD	NOT INCLUDED
73404-2192	NICKEL	NOT INCLUDED
73404-2191	NICKEL	INCLUDED
73404-2190	GOLD	INCLUDED
PART NO.	PLATING	HARDWARE

MIL-STD-348A, FIG 311-1	INTERFACE
SPECIFICATION	DESCRIPTION

CHG: -2193 ADDED: 2009-04-15 EC NO: URF2009-0415 DRWN: WIENER 2009/01/29 CHKD: SHAH 2009/01/29 APPR: WIENER 2009/01/29 REV: A5	QUALITY SYMBOLS ▽=0 ▽=0	GENERAL TOLERANCES (UNLESS SPECIFIED) mm INCH 4 PLACES ± --- ± --- 3 PLACES ± --- ± --- 2 PLACES ± --- ± --- 1 PLACE ± --- ± --- ANGULAR ± 2 °	DIMENSION STYLE MM/IN DRAWN BY DATE SSS 2006/10/12 CHECKED BY DATE TEF 2006/10/12 APPROVED BY DATE JDW 2006/10/12	SCALE DESIGN UNITS METRIC THIRD ANGLE PROJECTION	TITLE SMB JACK, STR, 50 OHMS EDGEMOUNT, BLKHD EWR-3213 SMB-J/PCB	MOLEX INCORPORATED DOCUMENT NO. SD-73404-219 SHEET NO. 1 OF 1
	DRAFT WHERE APPLICABLE MUST REMAIN WITHIN DIMENSIONS		MATERIAL NO. SEE TABLE		THIS DRAWING CONTAINS INFORMATION THAT IS PROPRIETARY TO MOLEX INCORPORATED AND SHOULD NOT BE USED WITHOUT WRITTEN PERMISSION	