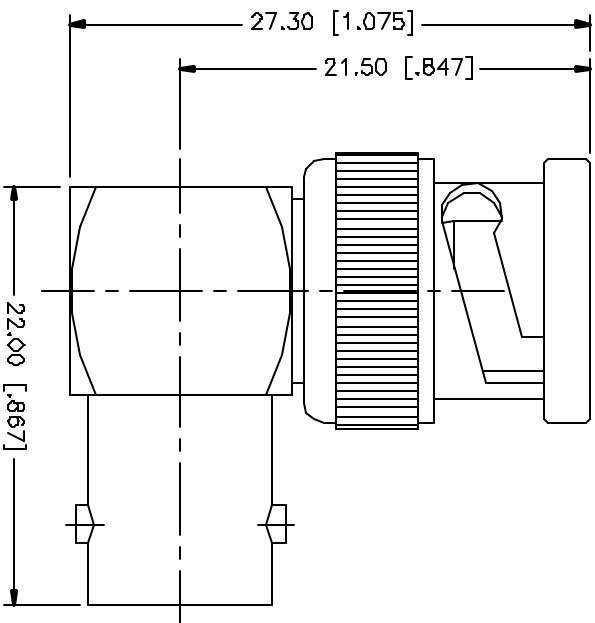


REV.	DATE	DESCRIPTION
NC	10/18/02	INITIAL RELEASE
A	05/01/04	UPDATE DRAWING FORMAT



REV.	DATE	DESCRIPTION
B		
7		
6		
5		
4		
3		
2		
1		

DESCRIPTION	MATERIAL	FINISH	QTY
CONTACT PIN	BRASS	GOLD	1
CONTACT PIN	PHOS. BRONZE	GOLD	1
INSULATOR	DELRI	NATURAL	2
BODY	BRASS	NICKEL	1
DESCRIPTION	MATERIAL	FINISH	QTY

UNLESS OTHERWISE SPECIFIED DIMENSIONS ARE IN INCHES AND FOR DIMENSIONS BETWEEN DASHES, UNLESS OTHERWISE SPECIFIED, DIMENSIONS ARE FRACTIONS OF AN INCH.	APPROVALS	DATE
UNLESS OTHERWISE SPECIFIED DIMENSIONS ARE FRACTIONS OF AN INCH.	DRAWN G.R.S.	05/01/04
TOLERANCES FOR HOLE DIMENSIONS ARE:	CHECKED	
A - .015	ISSUED	
B - .010	SHEET 1 OF 1	
C - .007		
D - .005		
E - .004		
F - .003		
G - .002		
H - .001		
I - .0005		
J - .0002		
K - .0001		
L - .00005		
M - .00002		
N - .00001		
DO NOT SCALE DRAWING	CAD FILE	
	C:/112/112454.DWG	

DWG. NO.	REV.	SIZE	SCALE
112454.DWG	A	A	NA

PART NO.	112454
PART DESCRIPTION	BNC MALE TO FEMALE R/A ADAPTOR