

4

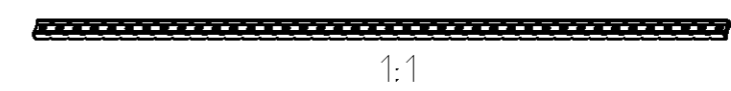
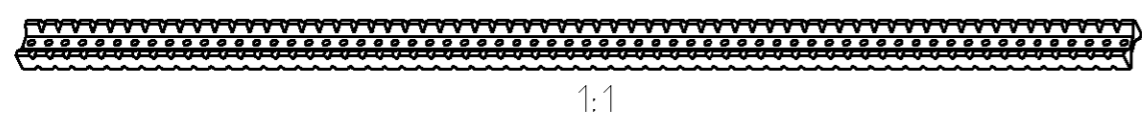
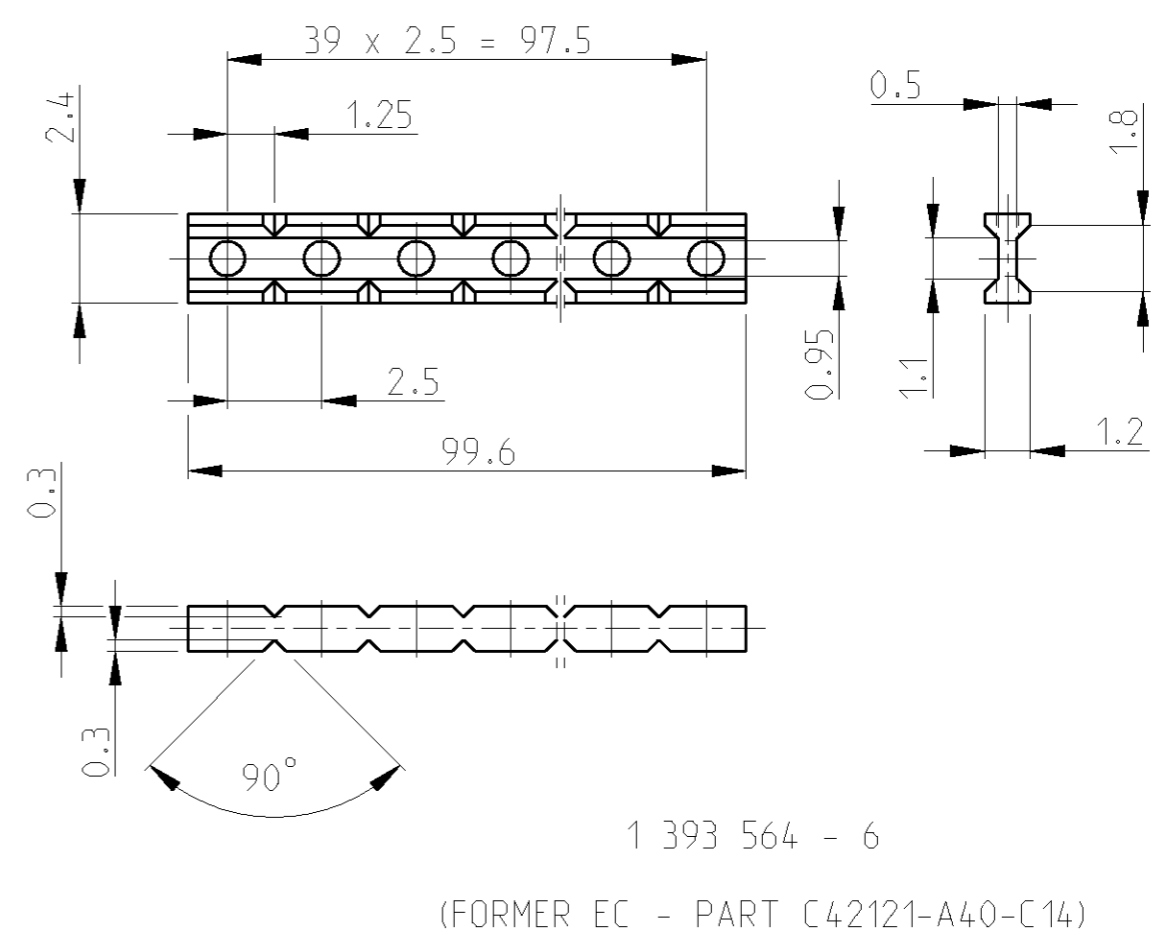
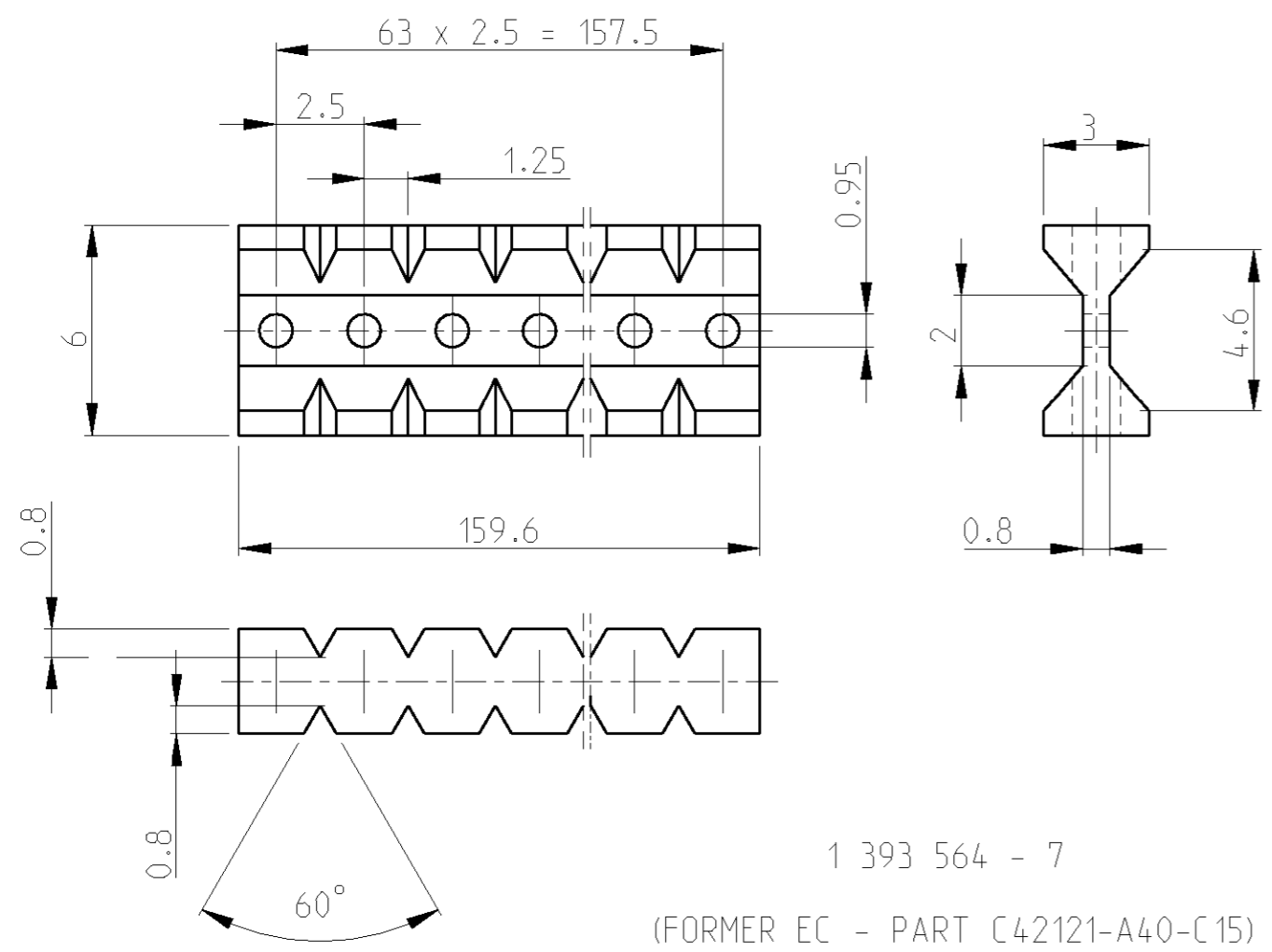
3

2

1

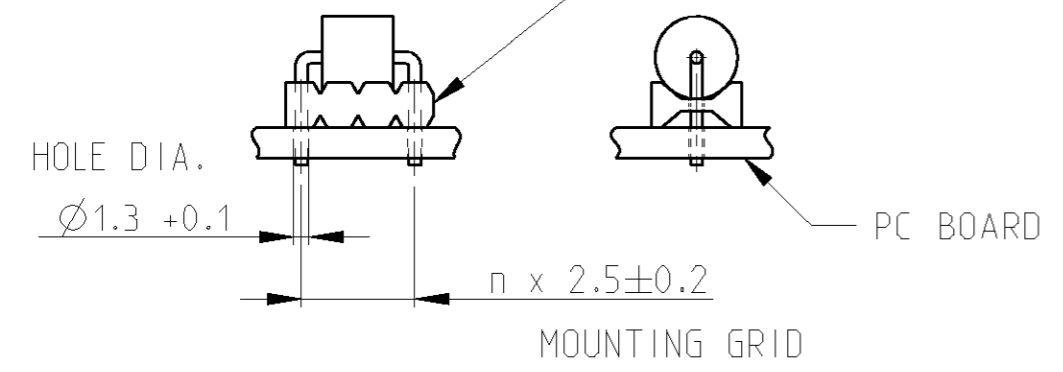
THIS DRAWING IS UNPUBLISHED. RELEASED FOR PUBLICATION 2000
 © COPYRIGHT 2000 BY TYCO ELECTRONICS CORPORATION. ALL RIGHTS RESERVED.

LOC	DIST	REVISIONS					
		P	LTR	DESCRIPTION	DATE	DWN	APVD
A1	-		A	PART NUMBERS CHANGED TO TYCO ELECTRONICS	11SEP2001	ACK	GF



APPLICATION EXAMBLE
 2:1

CUTTED TO LENGHT
 BEFORE MOUNTING



<small>THIS DRAWING IS A CONTROLLED DOCUMENT FOR TYCO ELECTRONICS CORPORATION IT IS SUBJECT TO CHANGE AND THE CONTROLLING ENGINEERING ORGANIZATION SHOULD BE CONTACTED FOR THE LATEST REVISION.</small>		DWN 11SEP2001 G. ACKERMANN CHK - M. SCHLEIHAUF APVD - G. FELDMEIER PRODUCT SPEC APPLICATION SPEC WEIGHT -	 tyco Electronics AMP GmbH D - 67346 Speyer
DIMENSIONS: mm 	TOLERANCES UNLESS OTHERWISE SPECIFIED: ± 0.2 0 PLC \pm 1 PLC \pm 2 PLC \pm 3 PLC \pm 4 PLC \pm ANGLES $\pm 1^\circ$	NAME MOUNTING FIXTURES HALTERUNG	RESTRICTED TO -
MATERIAL PC FINISH -	CUSTOMER DRAWING	SIZE A3 CAGE CODE 00779 DRAWING NO. C=1393564-7	SCALE 5:1 SHEET 1 OF 1 REV A