

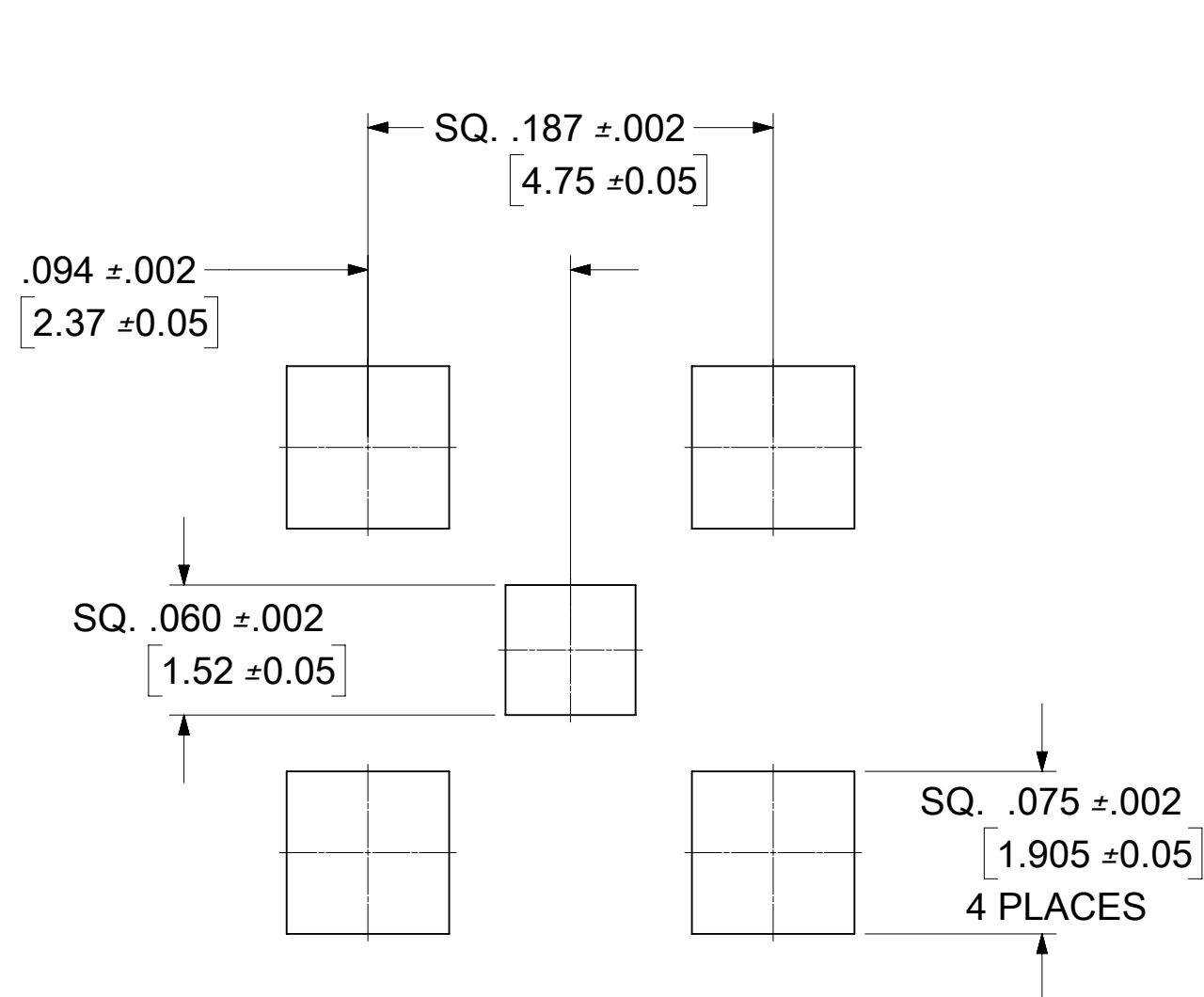
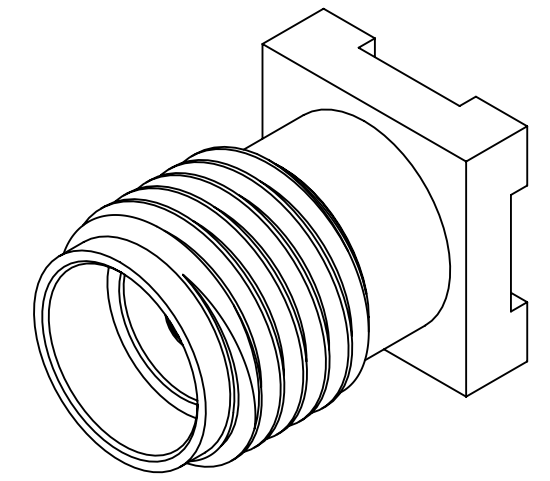
MATERIALS & FINISHES

BODY: BRASS
PLATED: SEE TABLE

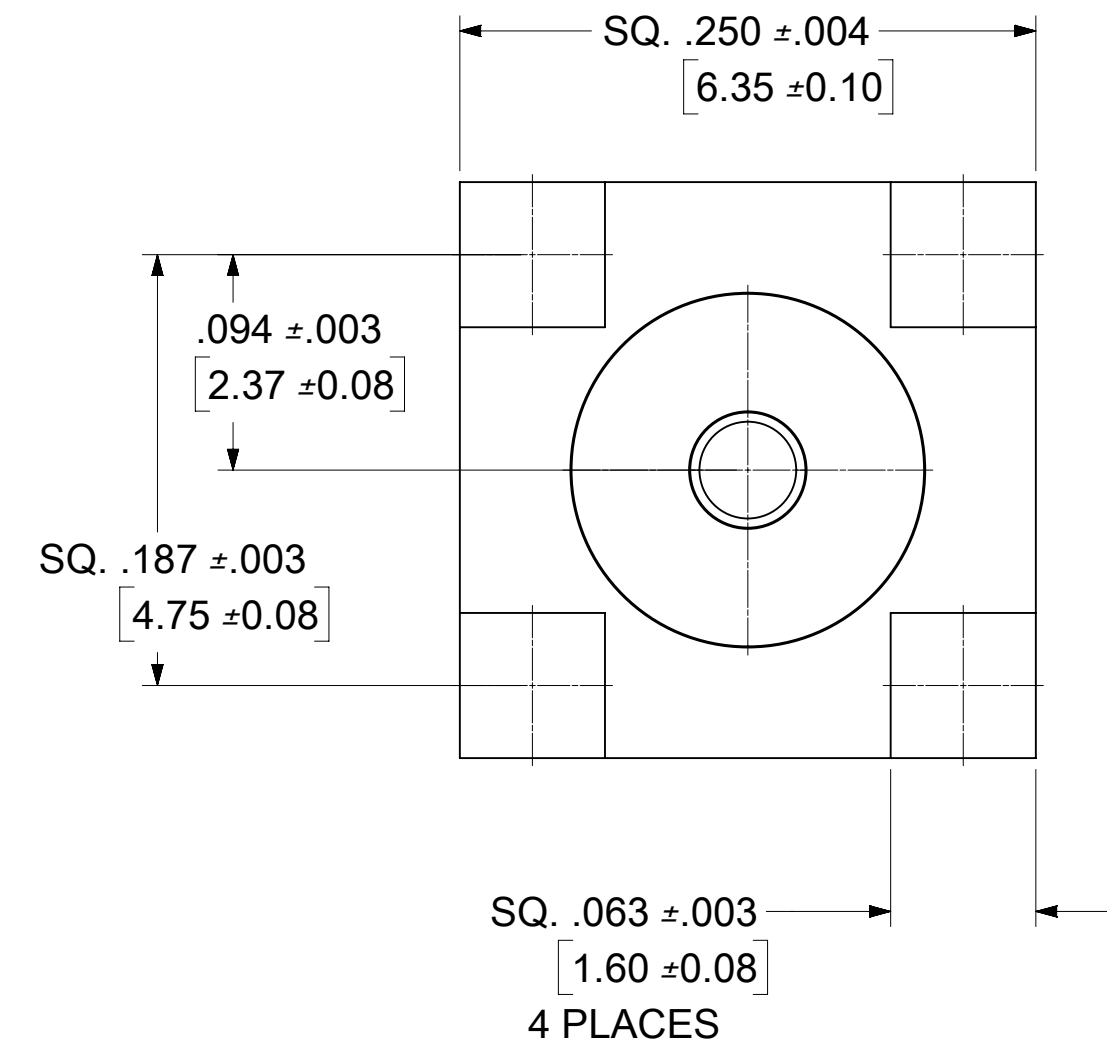
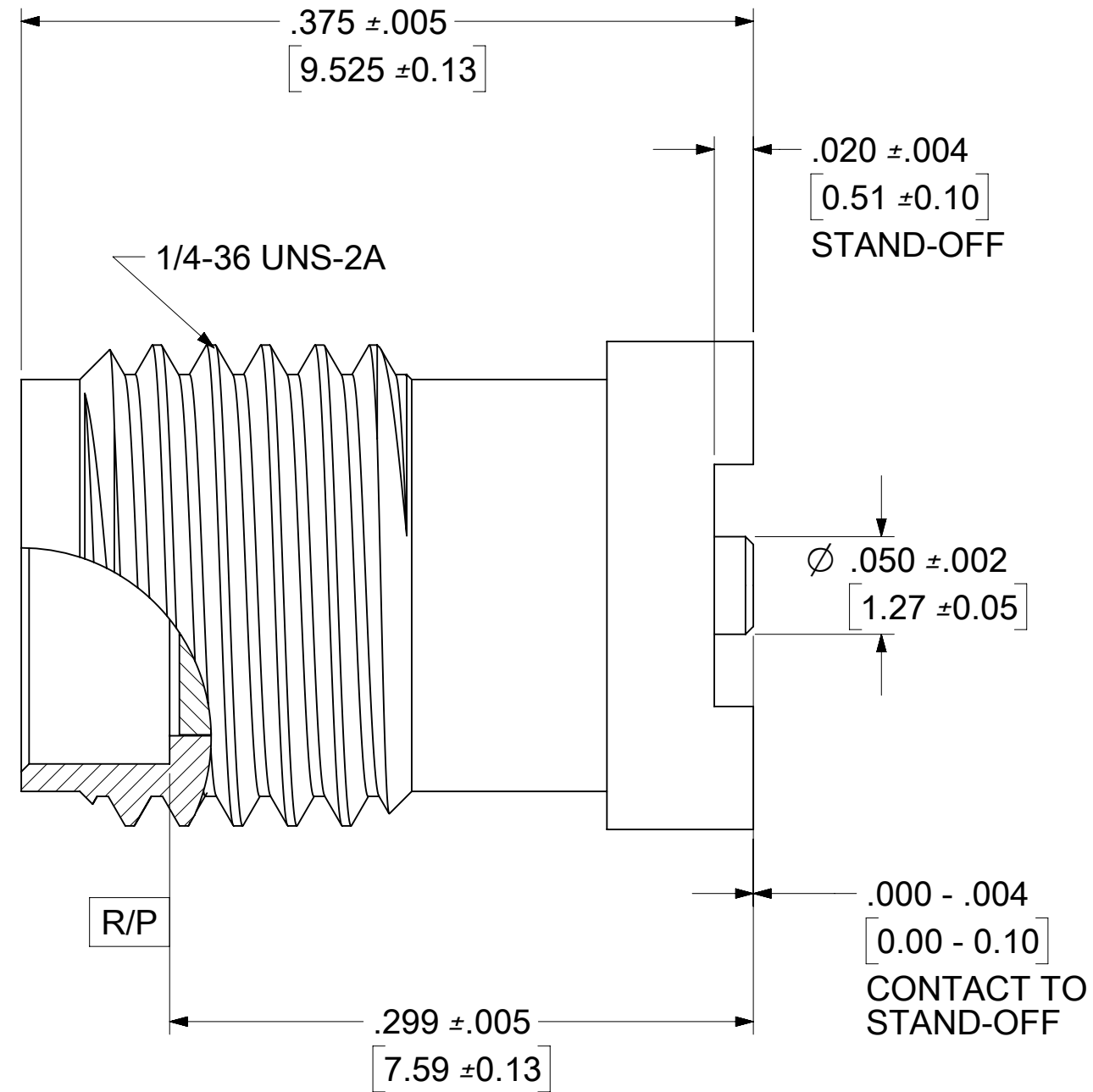
CONTACT: BERYLLIUM COPPER
PLATED: GOLD

INSULATOR: TEFLON

KAPTON: POLYIMIDE FILM
(ON -1355 ONLY)



RECOMMENDED PCB LAYOUT



73251-1357	SAME AS 73251-1353	TAPE & REEL (550 PCS / REEL)	SHEET 2 & 4
73251-1356	BODY/CONTACT GOLD (5μ" MIN.)	TAPE & REEL (400 PCS / REEL)	SHEET 2 & 3
73251-1355	SAME AS 73251-1350	TAPE & REEL WITH KAPTON (400 PCS / REEL)	SHEET 2 & 3
73251-1354	SAME AS 73251-1353	TAPE & REEL (400 PCS / REEL)	SHEET 2 & 3
73251-1353	BODY NICKEL(100μ" MIN.)/ CONTACT GOLD (10μ" MIN.)	TRAY PACK (80 PCS / TRAY)	SHEET 5
73251-1352	SAME AS 73251-1350	ONE PIECE 73251-1350 PER BAG	N/A
73251-1351	SAME AS 73251-1350	TAPE & REEL (400 PCS / REEL)	SHEET 2 & 3
73251-1350	BODY/CONTACT GOLD (10μ" MIN.)	TRAY PACK (80 PCS / TRAY)	SHEET 5
PART NO.	PLATING	PACKAGING DESCRIPTION	PACKING DRAWING

PS-89675-3460	ELEC/MECH PERFORMANCE
MIL-STD-348A, FIG. 310.2	INTERFACE
SPECIFICATION	DESCRIPTION

C4	2020/07/01	ADD -1357 & PKG PER EWR13889-A
C3	2019/08/22	ADD -1351 & 1353 PKG PER EWR13301-A
C2	2018/12/27	ADD PACKAGING TOL. PER EWR12756-A
REV.	DATE	DESCRIPTION

FUNCTIONAL SYMBOLS	THIS DRAWING CONTAINS INFORMATION THAT IS PROPRIETARY TO MOLEX ELECTRONIC TECHNOLOGIES, LLC AND SHOULD NOT BE USED WITHOUT WRITTEN PERMISSION		
FA = 0	DIMENSION UNITS	SCALE	CURRENT REV DESC:
EA = 0	HYBRID	NTS	EC NO: 640938
EP = 0	GENERAL TOLERANCES (UNLESS SPECIFIED)		DRWN: CWEI02 2020/07/01
	ANGULAR TOL ± 2.0°		CHK'D: YCHENG 2020/07/13
	4 PLACES ±		APPR: YCHENG 2020/07/13
	3 PLACES ±		INITIAL REVISION:
	2 PLACES ±		DRWN: SSS 2000/05/16
	1 PLACE ±		APPR: GMH 2000/05/16
	0 PLACES ±		
	DRAFT WHERE APPLICABLE MUST REMAIN WITHIN DIMENSIONS	THIRD ANGLE PROJECTION	DRAWING SERIES
			C-SIZE 73251
			MATERIAL NUMBER CUSTOMER SHEET NUMBER
			SEE TABLE GENERAL MARKET 1 OF 5

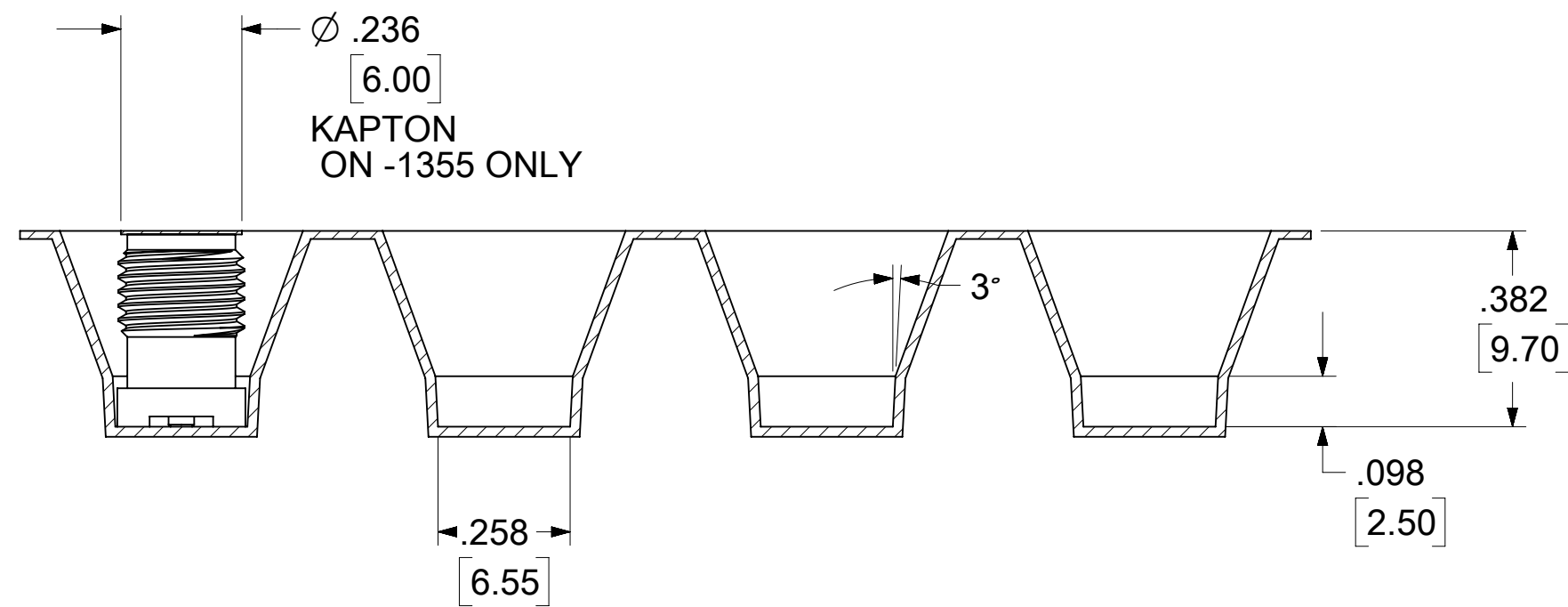
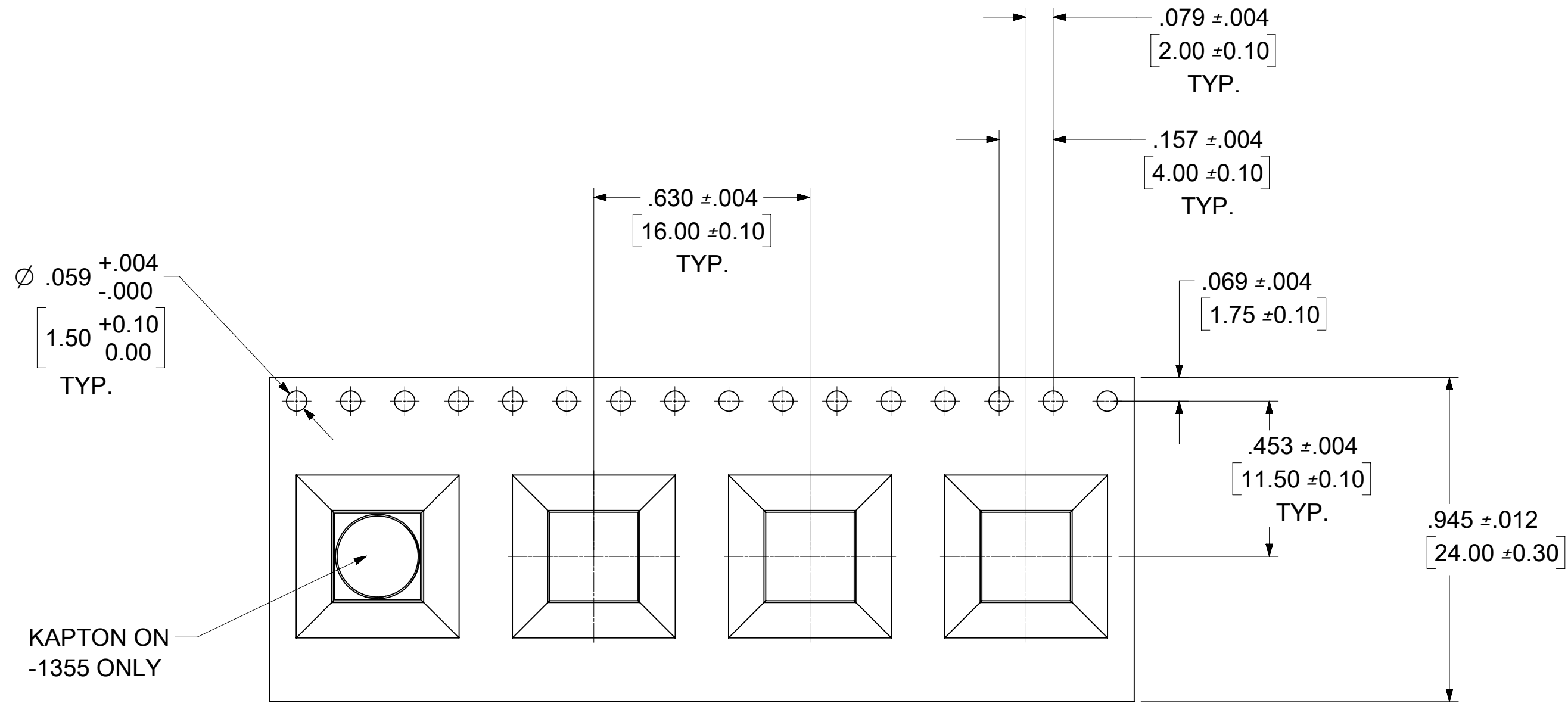
molex

SMA, JACK
VERTICAL PCB SMT SMA-J/PCB, EWR-2107

PRODUCT CUSTOMER DRAWING

DOCUMENT NUMBER: SD-73251-135
DOC TYPE: PSD
DOC PART: 001
REVISION: C4

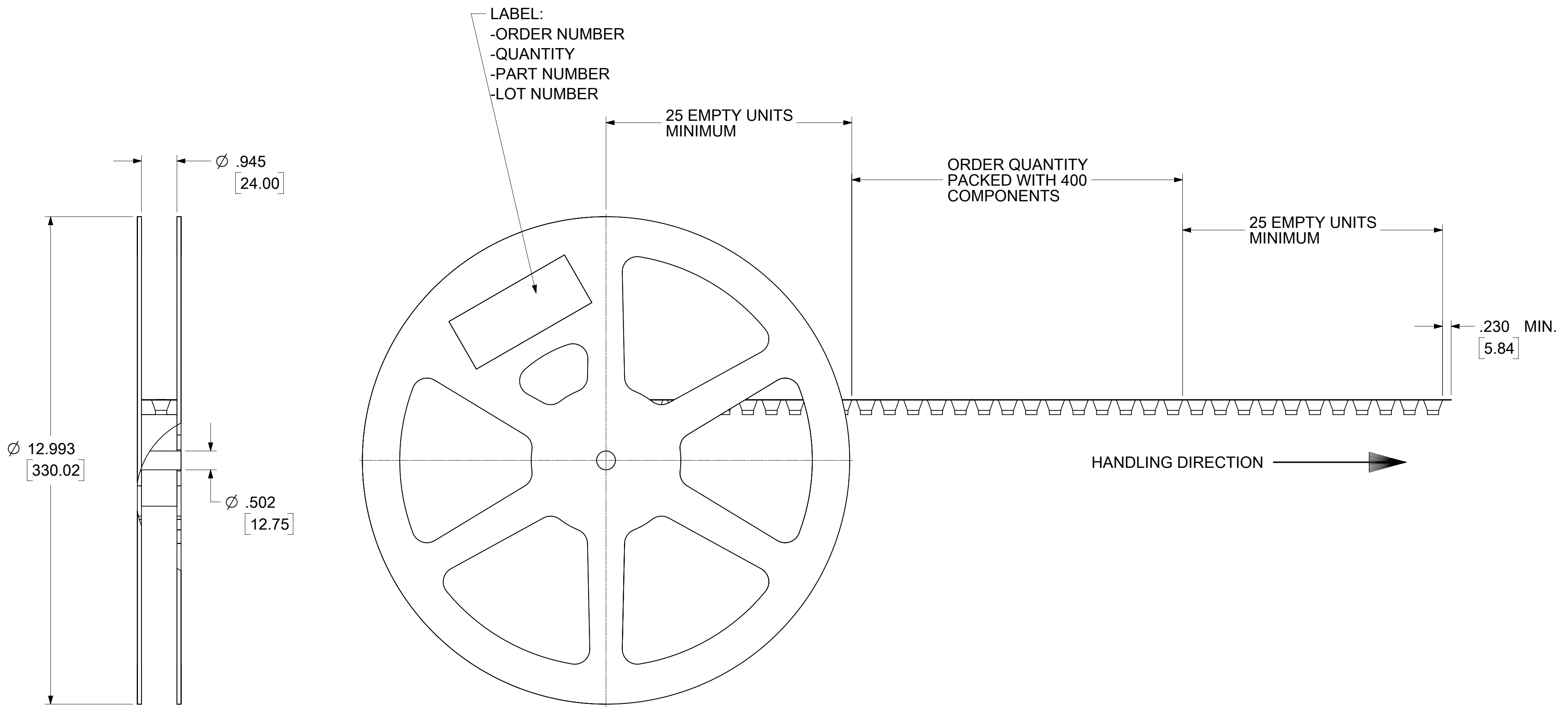
NOTES:
 1. TAPE PACKAGING FOR 73251-1351, 73251-1354, 73251-1355, 73251-1356 AND 73251-1357.
 2. MATERIALS: PS BLACK-THICKNESS: 0.50±0.05 MM



FUNCTIONAL SYMBOLS $\frac{F}{A} = 0$ $\frac{F}{C} = 0$ $\frac{F}{P} = 0$ DIVISIONAL SYMBOLS 4 PLACES ± 3 PLACES ± 2 PLACES ± 1 PLACE ± 0 PLACES ±	THIS DRAWING CONTAINS INFORMATION THAT IS PROPRIETARY TO MOLEX ELECTRONIC TECHNOLOGIES, LLC AND SHOULD NOT BE USED WITHOUT WRITTEN PERMISSION		CURRENT REV DESC:						
	DIMENSION UNITS	SCALE	EC NO: 640938					DRWN: CWEI02	2020/07/01
	HYBRID NTS		GENERAL TOLERANCES (UNLESS SPECIFIED)		CHK'D: YCHENG	2020/07/13	PRODUCT CUSTOMER DRAWING		
	ANGULAR TOL ± 2.0°		4 PLACES ±		APPR: YCHENG	2020/07/13	DOCUMENT NUMBER		
DRAFT WHERE APPLICABLE MUST REMAIN WITHIN DIMENSIONS		THIRD ANGLE PROJECTION	DRAWING	SERIES	MATERIAL NUMBER	CUSTOMER	DOC TYPE	DOC PART	REVISION
			C-SIZE	73251	SEE TABLE	GENERAL MARKET	PSD	001	C4
SD-73251-135		2000/05/16		2000/05/16		2 OF 5			

NOTES :

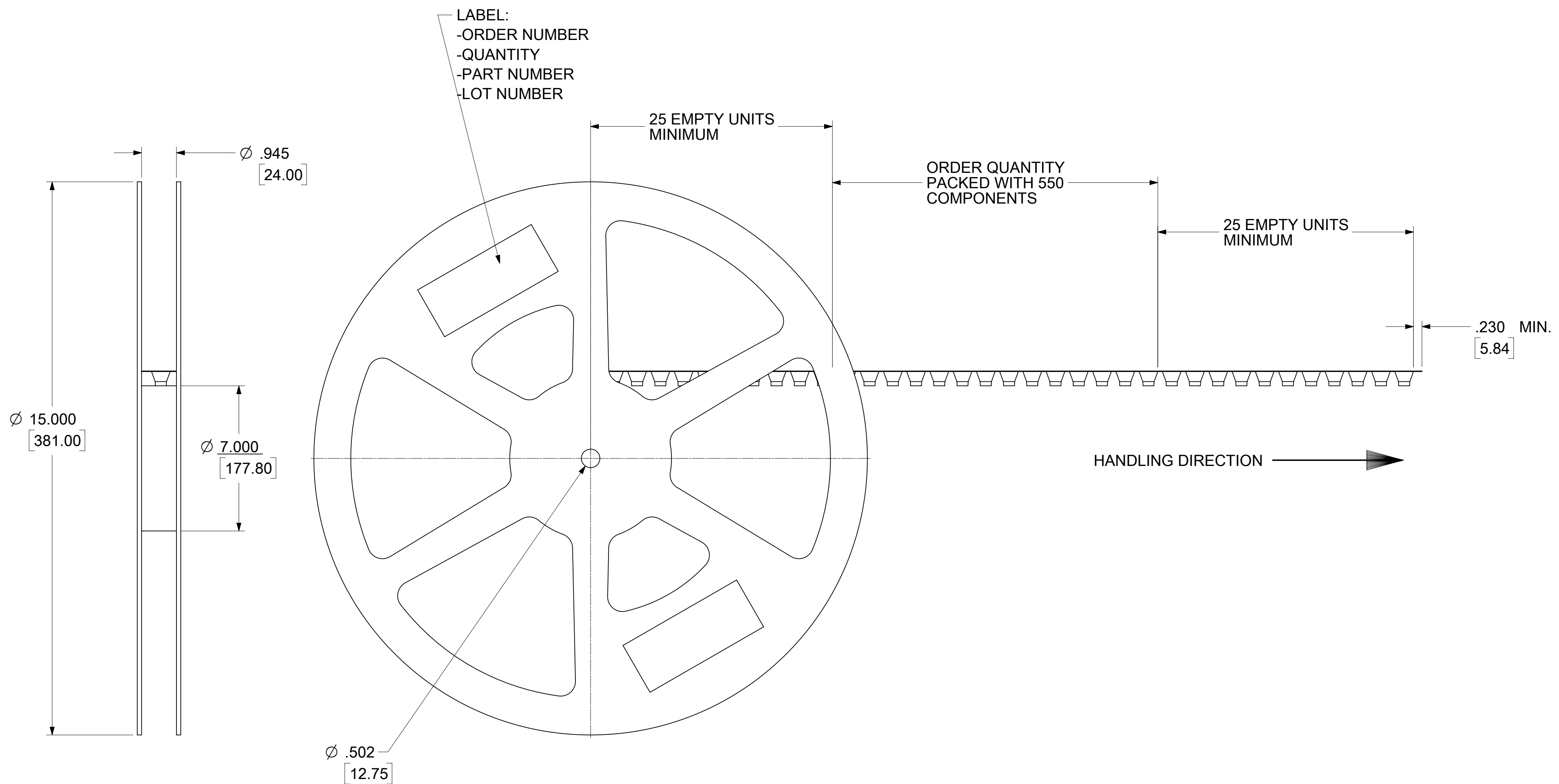
1. REEL PACKAGING FOR 73251-1351, 73251-1354, 73251-1355 AND 73251-1356
2. COMPONENT LOAD PER 13" REEL: 400 PCS



FUNCTIONAL SYMBOLS $\frac{F}{A} = 0$ $\frac{F}{C} = 0$ $\frac{F}{P} = 0$	THIS DRAWING CONTAINS INFORMATION THAT IS PROPRIETARY TO MOLEX ELECTRONIC TECHNOLOGIES, LLC AND SHOULD NOT BE USED WITHOUT WRITTEN PERMISSION	CURRENT REV DESC:							
	DIMENSION UNITS: HYBRID	SCALE: NTS	EC NO: 640938						
	GENERAL TOLERANCES (UNLESS SPECIFIED)		DRWN: CWEI02			2020/07/01			
	ANGULAR TOL $\pm 2.0^\circ$		CHK'D: YCHENG			2020/07/13			
DIVISIONAL SYMBOLS 4 PLACES \pm 3 PLACES \pm 2 PLACES \pm 1 PLACE \pm 0 PLACES \pm	APP: YCHENG			2020/07/13					
	INITIAL REVISION:			DOCUMENT NUMBER			DOC TYPE	DOC PART	REVISION
	DRWN: SSS			2000/05/16			SD-73251-135		
	APP: GMH			2000/05/16			PSD	001	C4
DRAFT WHERE APPLICABLE MUST REMAIN WITHIN DIMENSIONS		THIRD ANGLE PROJECTION	DRAWING	SERIES	MATERIAL NUMBER	CUSTOMER	SHEET NUMBER		
			C-SIZE	73251	SEE TABLE	GENERAL MARKET	3 OF 5		

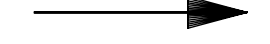
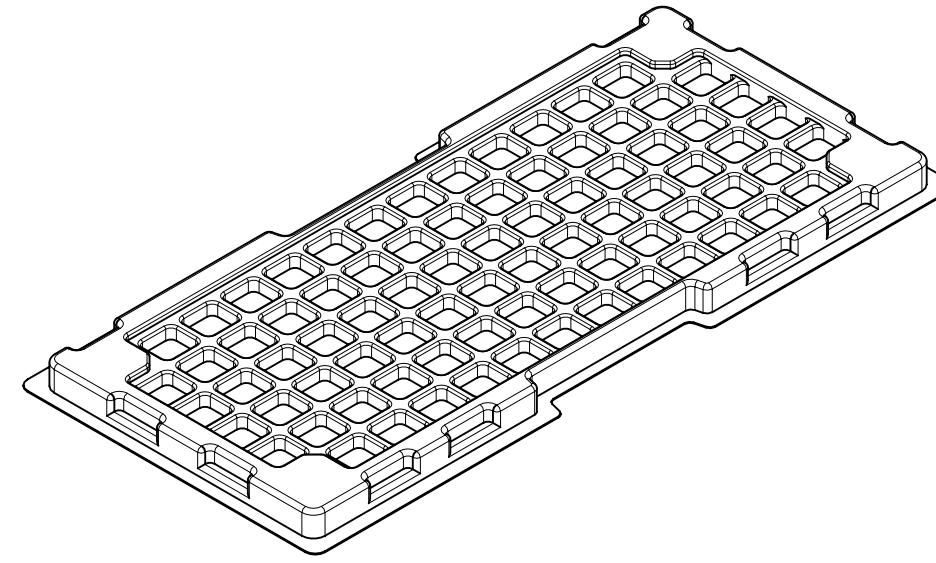
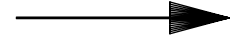
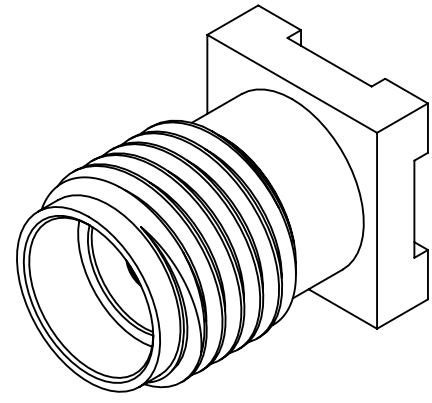
DOCUMENT STATUS	P1	RELEASE DATE	2020/07/13	08:48:58
-----------------	----	--------------	------------	----------

NOTES:
 1. REEL PACKAGING FOR 73251-1357
 2. COMPONENT LOAD PER 15" REEL: 550 PCS

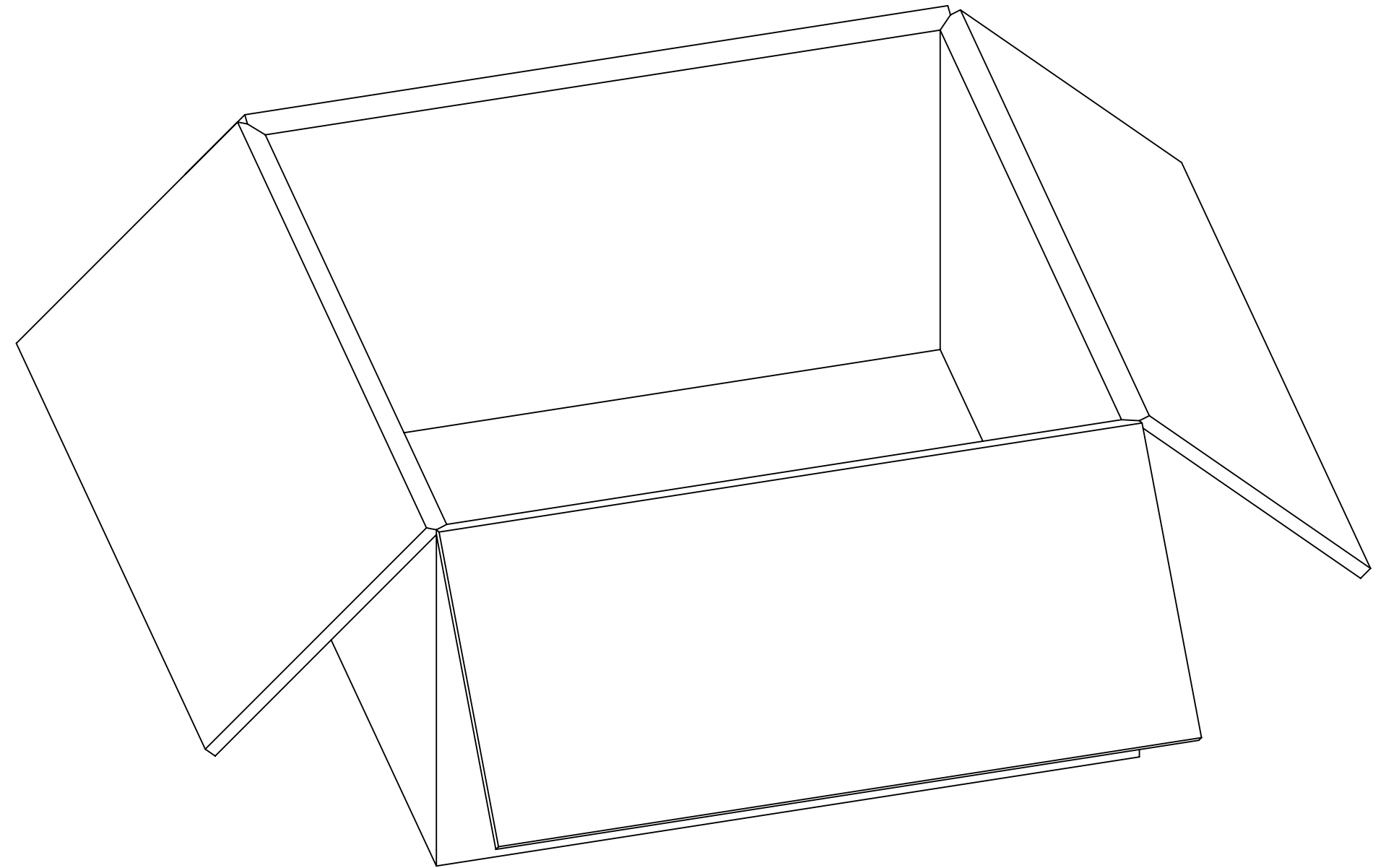
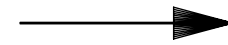
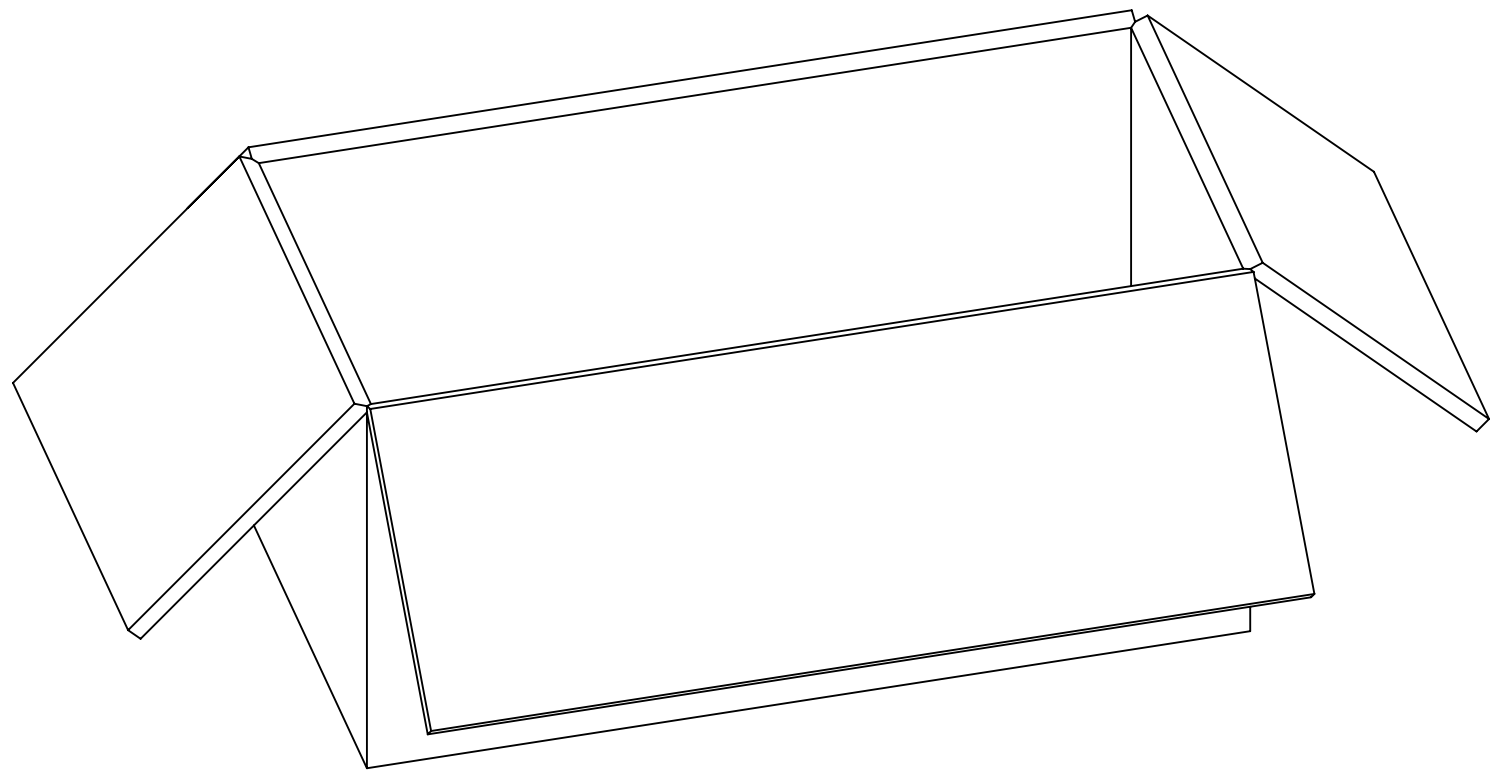


FUNCTIONAL SYMBOLS	THIS DRAWING CONTAINS INFORMATION THAT IS PROPRIETARY TO MOLEX ELECTRONIC TECHNOLOGIES, LLC AND SHOULD NOT BE USED WITHOUT WRITTEN PERMISSION									
	DIMENSION UNITS	SCALE	CURRENT REV DESC:							
$\frac{F}{A} = 0$	HYBRID	NTS	EC NO: 640938							
$\frac{F}{C} = 0$	GENERAL TOLERANCES (UNLESS SPECIFIED)		DRWN: CWEI02 2020/07/01							
$\frac{F}{P} = 0$	ANGULAR TOL ± 2.0°		CHK'D: YCHENG 2020/07/13							
DIVISIONAL SYMBOLS	4 PLACES	±	APPR: YCHENG 2020/07/13							
	3 PLACES	±	INITIAL REVISION:							
	2 PLACES	±	DRWN: SSS 2000/05/16							
	1 PLACE	±	APPR: GMH 2000/05/16							
0 PLACES	±	DRAFT WHERE APPLICABLE MUST REMAIN WITHIN DIMENSIONS								
THIRD ANGLE PROJECTION		DRAWING	SERIES	MATERIAL NUMBER	CUSTOMER	DOC TYPE	DOC PART	REVISION	SHEET NUMBER	
		C-SIZE	73251	SEE TABLE	GENERAL MARKET	PSD	001	C4	4 OF 5	

NOTE:
TRAY PACKAGING FOR 73251-1350 AND 73251-1353



80 SETS PER TRAY
P/N: 89707-0190



1600 SETS PER INNER
CARTON BOX
P/N: 96707-0001

3200 SETS PER OUTER
CARTON BOX
P/N: 96708-0005

FUNCTIONAL SYMBOLS	THIS DRAWING CONTAINS INFORMATION THAT IS PROPRIETARY TO MOLEX ELECTRONIC TECHNOLOGIES, LLC AND SHOULD NOT BE USED WITHOUT WRITTEN PERMISSION														
	DIMENSION UNITS	SCALE	CURRENT REV DESC:								molex				
$\frac{E}{A} = 0$	HYBRID	NTS	EC NO: 640938 DRWN: CWEI02 2020/07/01 CHK'D: YCHENG 2020/07/13 APPR: YCHENG 2020/07/13 INITIAL REVISION: DRWN: SSS 2000/05/16 APPR: GMH 2000/05/16										DOCUMENT NUMBER		DOC TYPE
$\frac{E}{C} = 0$	GENERAL TOLERANCES (UNLESS SPECIFIED)										SD-73251-135		PSD	001	C4
$\frac{E}{P} = 0$	ANGULAR TOL $\pm 2.0^\circ$										SEE TABLE		GENERAL MARKET		SHEET NUMBER
DIVISIONAL SYMBOLS	4 PLACES	\pm	DRAFT WHERE APPLICABLE MUST REMAIN WITHIN DIMENSIONS								MATERIAL NUMBER		CUSTOMER	SHEET NUMBER	
	3 PLACES	\pm	THIRD ANGLE PROJECTION								SEE TABLE		GENERAL MARKET	5 OF 5	
	2 PLACES	\pm	DRAWING								SERIES				
	1 PLACE	\pm	C-SIZE								73251				
	0 PLACES	\pm													