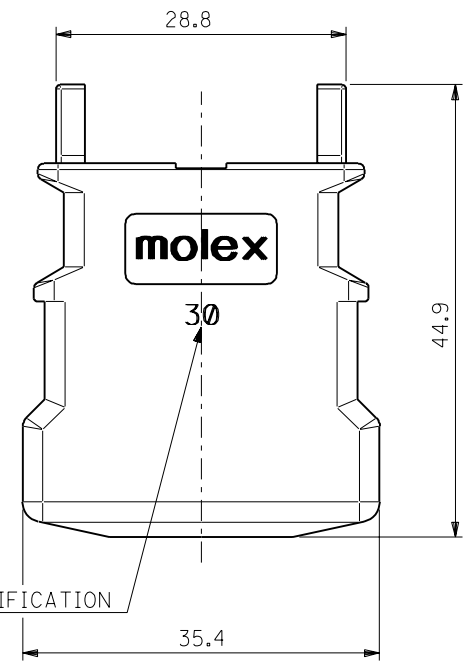
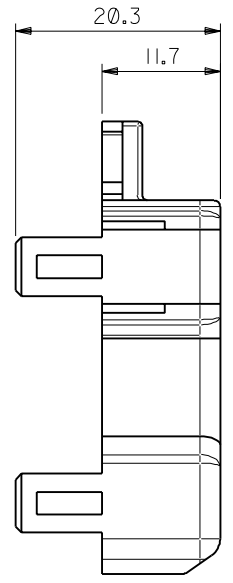
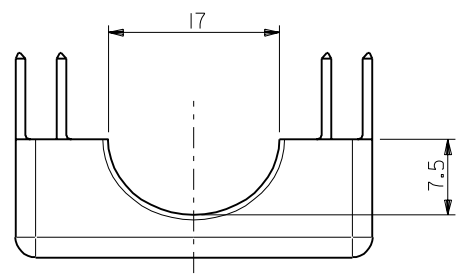
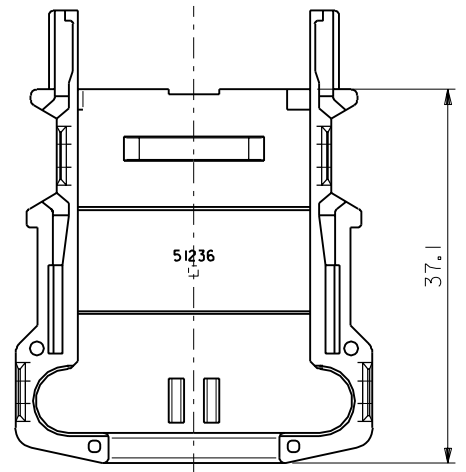
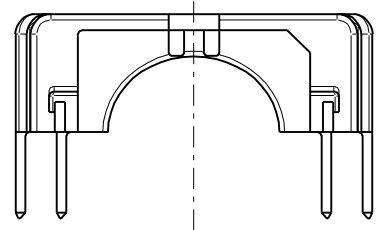


DWG. NO.  
SD-51236-006



SIZE IDENTIFICATION

注記  
NOTES

1. 材質  
MATERIAL  
ガラス入りポリカーボネイト樹脂 UL94V-0 色: グレー  
POLYCARBONATE C.F. UL94V-0 COLOR: GRAY
2. 適用プラグモールドカバー A : 51235-3015  
APPLICABLE PLUG MOLD COVER A : 51235-3015

51236-3005	51236-***05
MATERIAL.NO	MODEL.NO

DIMENSIONS:		SHT	REV
<input type="checkbox"/> mm	<input type="checkbox"/> INCH	<input checked="" type="checkbox"/> mm	<input type="checkbox"/> ONLY
		REVISE ON CAD ONLY	

DO NOT SCALE DRAWING

EC NO. DRWN: CHK: APPR:	EC NO. DRWN: CHK: APPR:	EC NO. DRWN: CHK: APPR:	REVISED 01/10/24 EC NO. J2002-0999 DRWN: K.SAKAMOTO CHK: J.MIYAZAWA APPR: Y.O.ITO	RELEASED 01/02/16 EC NO. JD2001-1040 DRWN: S.AKIYAMA CHK: J.MIYAZAWA APPR: H.IKESUGI	MATERIAL 材料
					注記参照 SEE NOTES
					FINISH 仕上げ
					WIRE RANGE 適用線径範囲
					INS. RANGE 被覆外径

GENERAL TOLERANCES: (UNLESS SPECIFIED) 一般公差	SCALE 2-1	DESIGN UNITS <input checked="" type="checkbox"/> mm <input type="checkbox"/> INCH	THIRD ANGLE PROJECTION
10 UNDER 未満	±0.2	DRAWN BY & DATE S. Akiyama 01/01/25	TITLE: COMPACT ROBOT CONN. (CRC) PLUG MOLD COVER B
10 OVER 30 UNDER 未満	±0.25	CHECKED BY & DATE J. Miyazawa / Y. Ito	MATERIAL NO. SEE CHART DRAWING NO. SD-51236-006 SHEET NO. 1 OF 1
30 OVER 以上	±0.3	APPROVED BY & DATE H. Ikisugi	
ANGLE 角度	±3°	CAD FILE NAME 51236006.S01	THIS DRAWING CONTAINS INFORMATION THAT IS PROPRIETARY TO MOLEX INCORPORATED AND SHOULD NOT BE USED WITHOUT WRITTEN PERMISSION.

MOLEX INCORPORATED
--------------------

MATERIAL NO.	DRAWING NO.	SHEET NO.
SEE CHART	SD-51236-006	1 OF 1
SIZE B		EN-02J(097) MXJ-54

51236006.S01