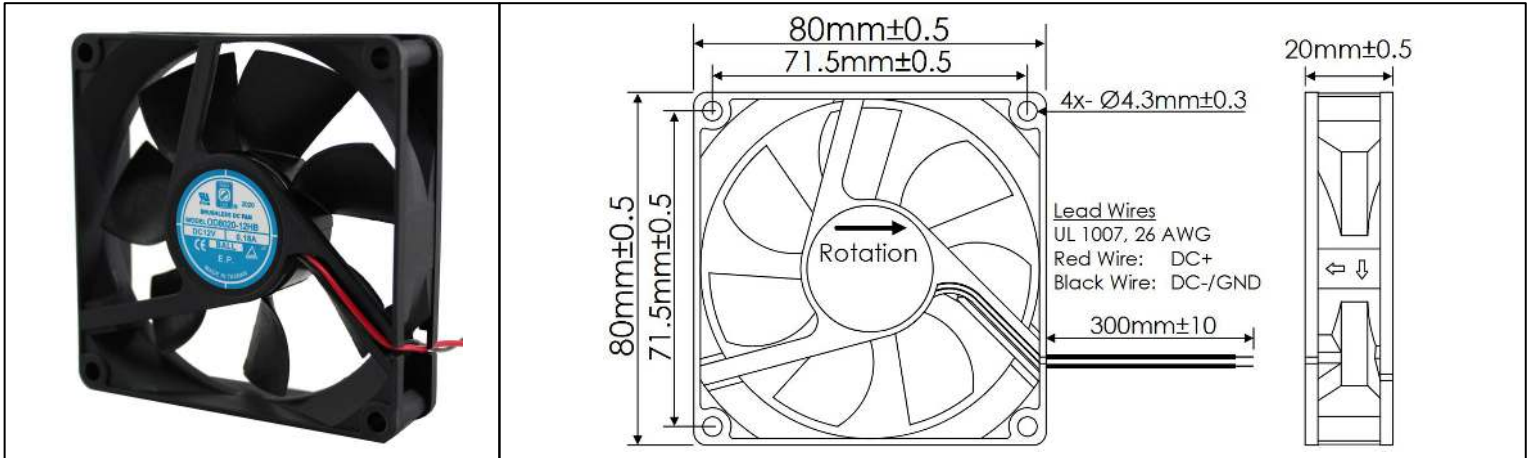


# OD8020 Series



DC Fans - 12, 24V  
80mm x 20mm (3.15" x 0.8")



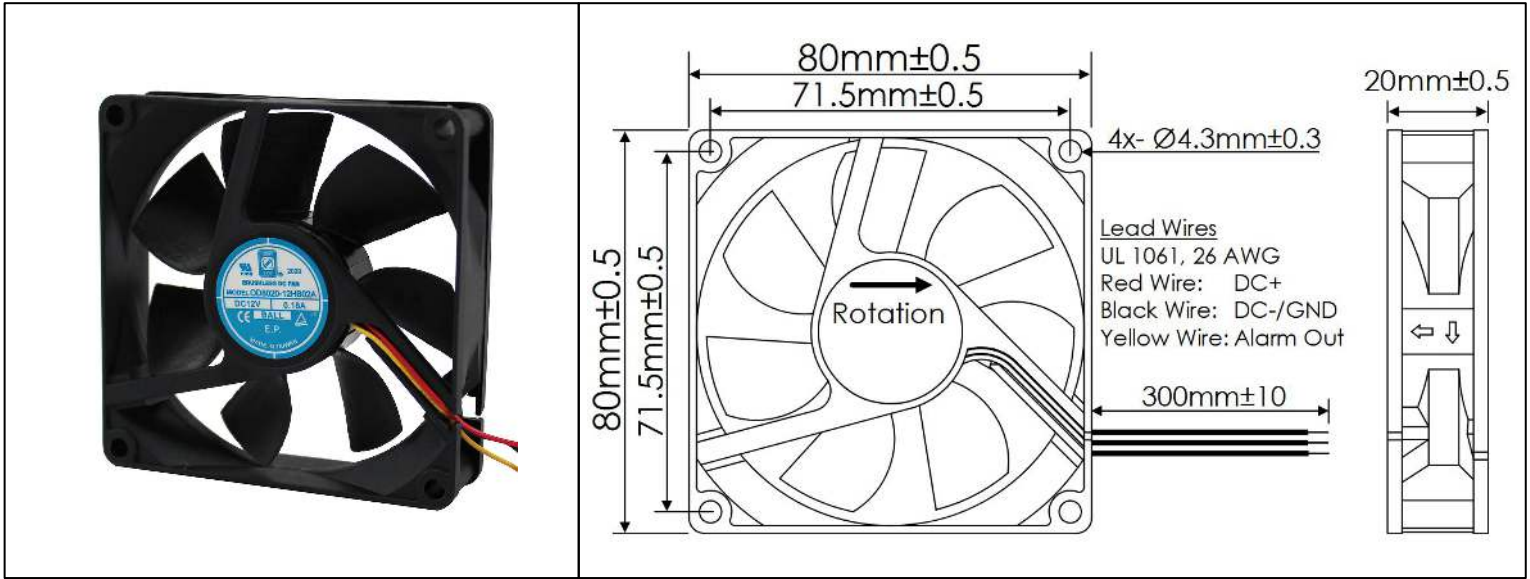
<b>Frame</b>	PBT, UL94 V-0 Plastic	<b>Operating Temperature</b> -20°C ~ +65°C	
<b>Impeller</b>	PBT, UL94 V-0 Plastic		
<b>Connection</b>	2x Lead Wires, UL 1007 26 AWG	<b>Life Expectancy</b> 70,000 Hours (L10 at 40°C)	
<b>Motor</b>	Brushless DC, Auto Cutoff, Auto Restart, Polarity Protected, Electronically Protected		
<b>Bearing System</b>	Ball Bearings	Weight: 0.17 lbs.	
<b>Dielectric Strength</b>	500VDC/min, <1mA		
<b>Insulation Resistance</b>	≥10M Ohm @ 500 VDC		

Part Number	Rated Voltage (Volts DC)	Voltage Range (Volts DC)	Input Power (Watts)	Rated Current (Amps)	Rated Speed (RPM)	Max Airflow (CFM)	Noise Level (dBA)	Max Static Pressure ("H <sub>2</sub> O)
OD8020-12HB	12	11 ~ 13.8	2.2	0.18	3400	40	36	0.18
OD8020-12MB	12	11 ~ 13.8	1.8	0.15	2800	32	29	0.11
OD8020-12LB	12	11 ~ 13.8	1.4	0.12	2400	27	25	0.09
OD8020-24HB	24	22 ~ 25	2.9	0.12	3400	40	36	0.18
OD8020-24MB	24	22 ~ 25	2.4	0.10	2800	32	29	0.11
OD8020-24LB	24	22 ~ 25	2.0	0.08	2400	27	25	0.09

# OD8020 Series with Alarm

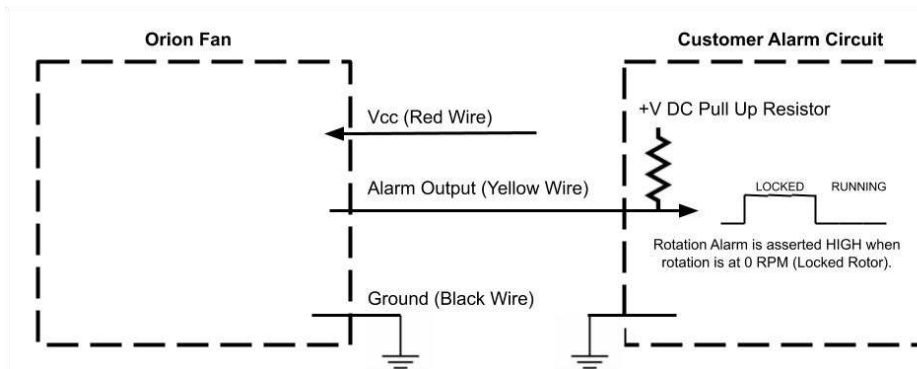


DC Fans - 12, 24V  
80mm x 20mm (3.15" x 0.8")



Frame	PBT, UL94 V-0 Plastic	Operating Temperature -20°C ~ +65°C	
Impeller	PBT, UL94 V-0 Plastic		
Connection	3x Wire Leads, UL 1061 26 AWG	Storage Temperature -20°C ~ +75°C	
Motor	Brushless DC, Auto Cutoff, Auto Restart, Electronically Protected, Polarity Protected	Life Expectancy 70,000 Hours (L10 at 40°C)	
Bearing System	Ball Bearings	Installed Options Open Collector Tach Output	
Dielectric Strength	500VDC/min, <1mA	Weight: 0.17 lbs.	
Insulation Resistance	≥10M Ohm @ 500 VDC		

Part Number	Rated Voltage (Volts DC)	Voltage Range (Volts DC)	Input Power (Watts)	Rated Current (Amps)	Rated Speed (RPM)	Max Airflow (CFM)	Noise Level (dBA)	Max Static Pressure ("H <sub>2</sub> O)
OD8020-12HB02A	12	11 ~ 13.8	2.2	0.18	3400	40	36.3	0.18
OD8020-24HB02A	24	22 ~ 25	2.9	0.12	3400	40	36.3	0.18



Alarm Max Pull-up Voltage: Fan Vcc  
 Alarm Max Sink Current: 6mA  
 Alarm Active Logic State: HIGH