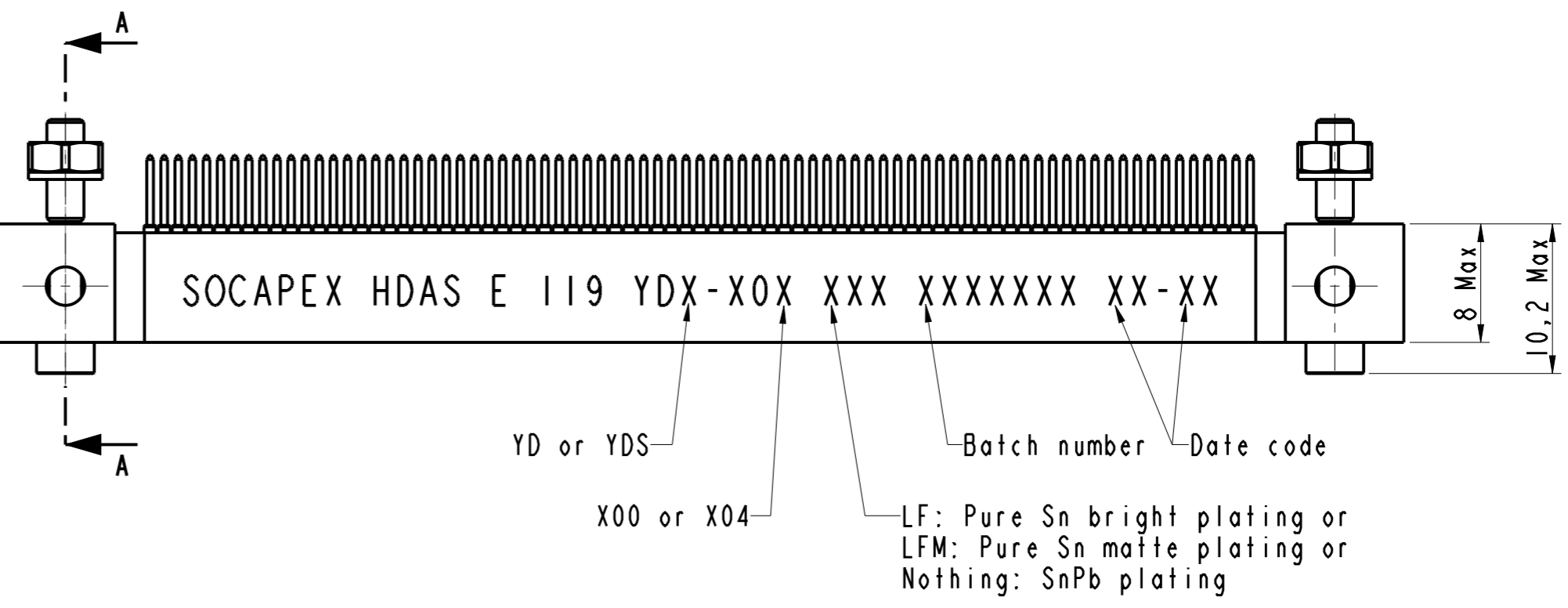
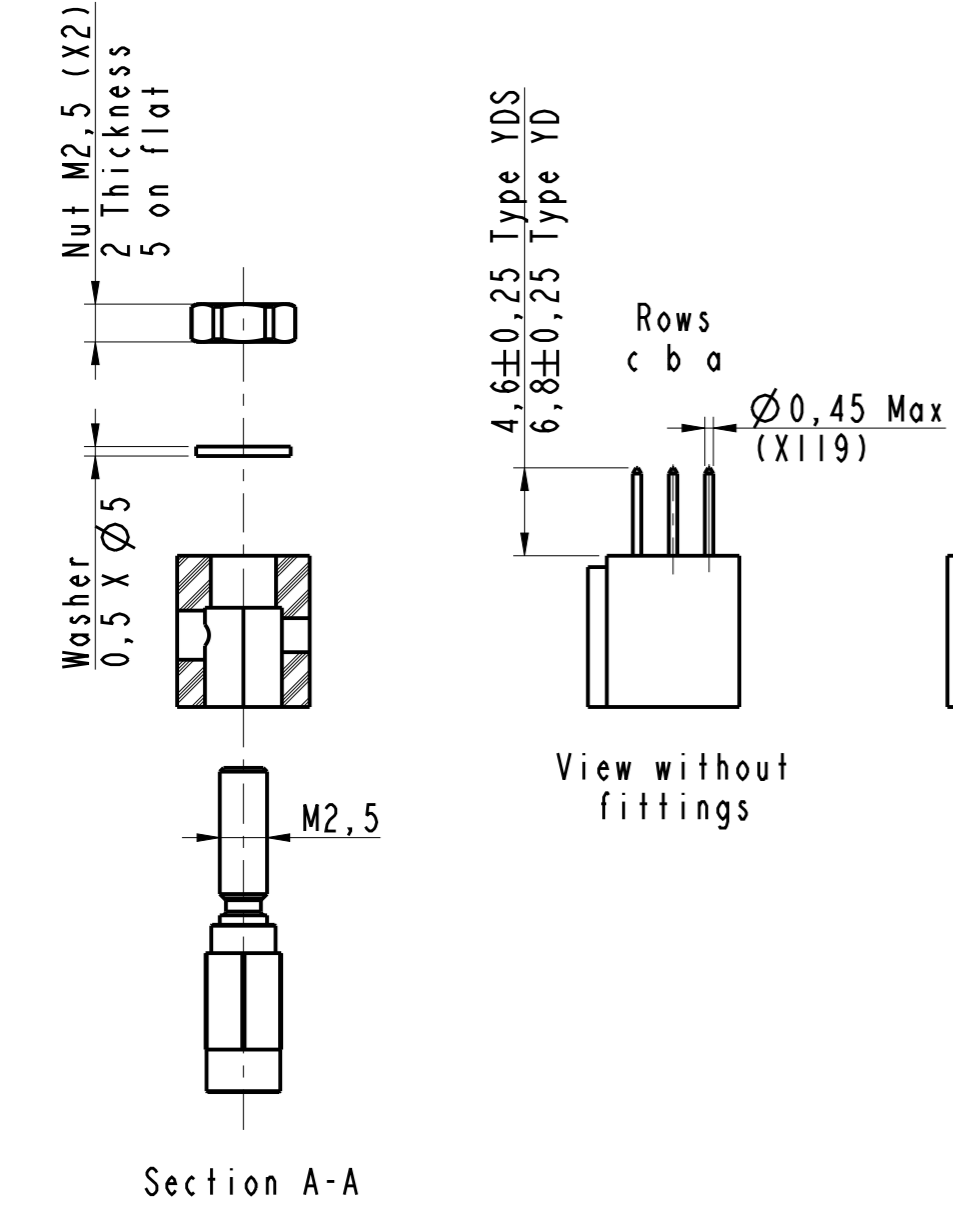
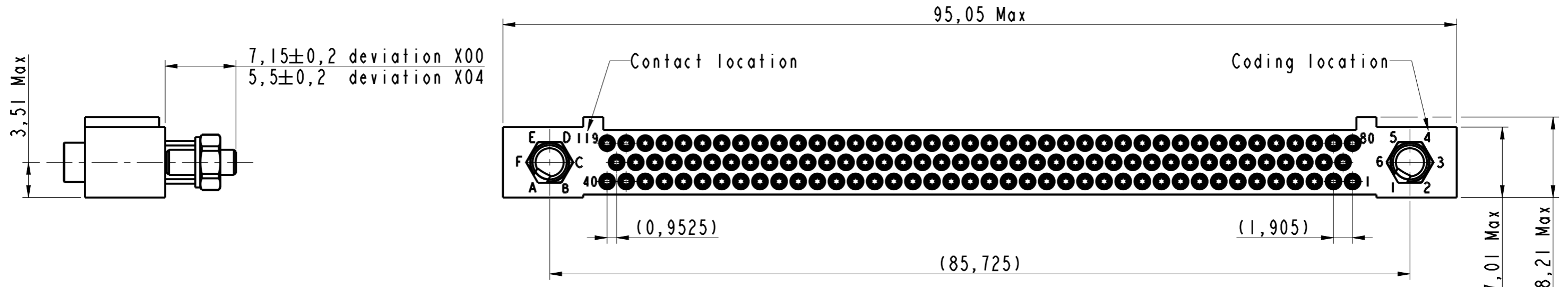


IN THE CONSTANT PURPOSE OF IMPROVING ITS PRODUCTS, AMPHENOL SOCAPEX RESERVES THE RIGHT TO MODIFY ANY DIMENSION OR CHARACTERISTICS.
FM.NPD.0036.THYEZ.PUNE rev C

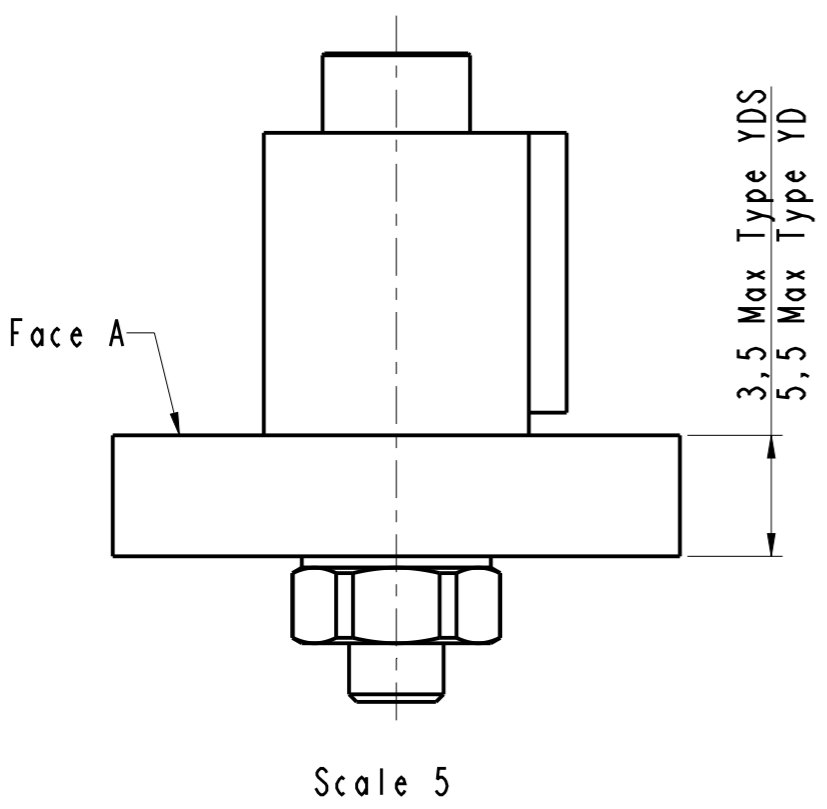
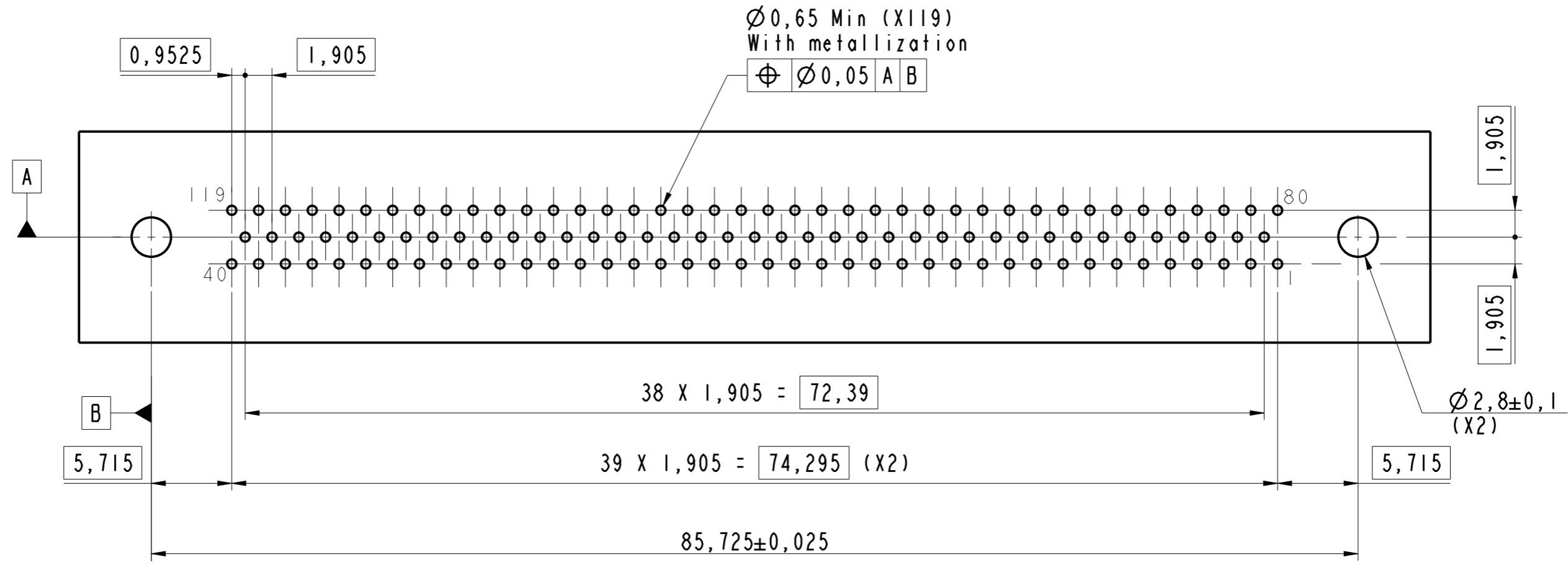


- Notes:
1. Part: HDAS E 119 YDX-X0X XXX
 2. External dimension of the receptacle insulator with 119 signal contacts type YDX
 3. Connector delivered with fittings not assembled, coupling torque : 0,25 Nm
 4. Standard 00X : Nickel plated over brass fittings
Deviation 10X : Passivated stainless steel fittings.

HDAS E 119 YDX-X0X XXX			
DRAWN BY : Gimenes		UPDATED BY : S Satpute	
LAST APPROVED BY : T Carrier			
ALL DIMENSIONS ARE IN MM	AMPHENOL SOCAPEX		ORIGINAL DRAWING DATE : 09/06/2006
SCALE : 2,5	B.P. 29 74311 THYEZ CEDEX		CONFIGURATION DATA ARE AVAILABLE IN PDM
		REV : E	PAGE : 1/2
169-PLC-503-00			

IN THE CONSTANT PURPOSE OF IMPROVING ITS PRODUCTS, Amphenol Socapex reserves the right to modify any dimension or characteristics. FM.NPD.0036.THYEZ.PUNE rev C

PCB layout Face A



Scale 2

<h2>HDAS E 119 YDX-X0X XXX</h2>			
DRAWN BY : Gimenes		UPDATED BY : S Satpute	
LAST APPROVED BY : T Carrier			
ALL DIMENSIONS ARE IN MM	AMPHENOL SOCAPEX		ORIGINAL DRAWING DATE : 09/06/2006
SCALE : 3	B.P. 29 74311 THYEZ CEDEX		CONFIGURATION DATA ARE AVAILABLE IN PDM
		REV : E	PAGE : 2/2
169-PLC-503-00			