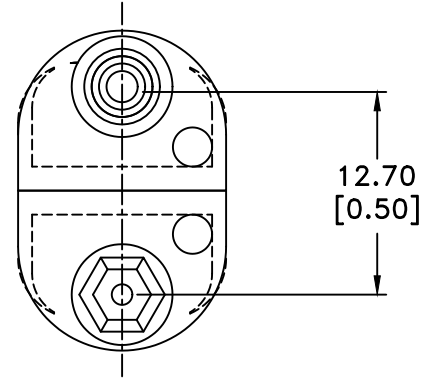
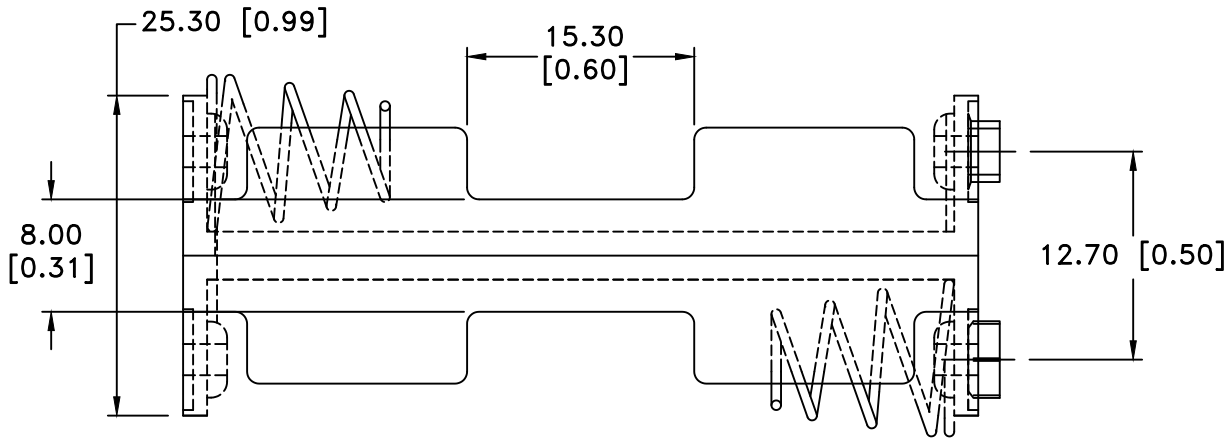
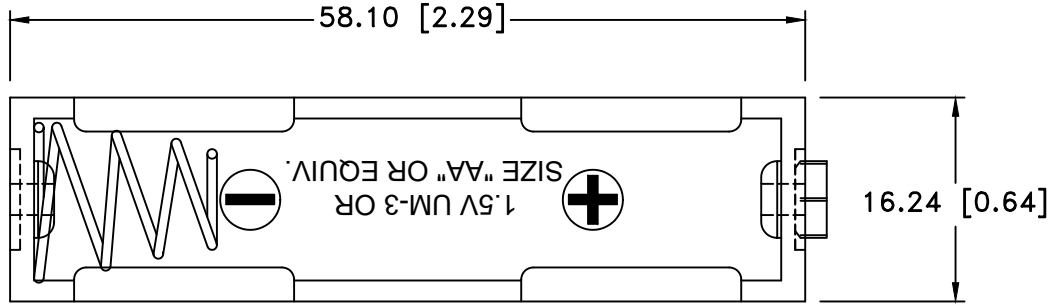



| Date | SYM | REVISION RECORD | AUTH | DR. | CK. |
|---------|-----|---|------|------|-----|
| 5/19/17 | B | DIM. 58.10 WAS 57.0 DIM. 16.24 WAS 15.90 | T.B. | B.S. | |
| 3/07/19 | C | UPDATED TO "ROHS COMPLIANT" | T.B. | B.S. | |
| | | | | | |
| | | | | | |
| | | | | | |



NOTES:

- Plastic material - Polypropylene, PP-1040
- Flammability Rating -UL94-HB, UL File NO. E216959
- Temperature Range: -10°C to +100°C
- Springs - Nickel Plated Spring Steel
- Rivets - Brass, Nickel Plated
- 9Volt Snaps - Brass, Nickel Plated
- Contact Resistance: Under 50mΩ for +/- contacts per EIA-540J000
- ROHS COMPLIANT

| | | | |
|--------------------------------|---|----------------|------------------|
| Tolerance (Except as noted) |  Memory Protection Devices, Inc 200 Broad Hollow Road, Farmingdale, New York 11735 | | |
| | | decimal | Scale |
| ±.5 (.020) | | | Approved By T.B. |
| Fractional | Title | | |
| ± .8 (.030) | TWO "AA" CELL HOLDER WITH SNAP FASTENERS | | |
| Angular | Date | Drawing Number | |
| ± 3° | 03/07/19 | BC32AASF | |