

SACB-8 8-L-20,0PUR SCO P - Sensor/actuator box



1148535

<https://www.phoenixcontact.com/pc/products/1148535>

Please be informed that the data shown in this PDF document is generated from our online catalog. Please find the complete data in the user documentation. Our general terms of use for downloads are valid.



Sensor/actuator box, application: Standard, connection method: M12-SPEEDCON-socket, number of positions: 4, status display: Yes; master cable connection: Fixed connection, PUR/PVC, cable length: 20 m, shielding: no

Commercial data

Item number	1148535
Packing unit	1 pc
Minimum order quantity	1 pc
Product key	BF3CBA
GTIN	4063151142230
Weight per piece (including packing)	2,467 g
Weight per piece (excluding packing)	2,468 g
Customs tariff number	85444290
Country of origin	DE

SACB-8 8-L-20,0PUR SCO P - Sensor/actuator box



1148535

<https://www.phoenixcontact.com/pc/products/1148535>

Technical data

Product properties

Product type	Distributor boxes with M8 to M12 slots
Number of positions	4
Application	Standard

Material specifications

Flammability rating according to UL 94	V0
--	----

Connection data

Conductor connection

Connection method	Fixed connection
Tightening torque slot sensor/actuator cable	0.4 Nm
Tightening torque of mounting screw for fixing the housing	0.5 Nm

Signaling

Status display present	Yes
------------------------	-----

Electrical properties

Max. operating voltage U_{max}	30 V DC
Nominal voltage U_N	24 V DC
Rated current, total	12 A
Max. current carrying capacity per path	2 A
Current carrying capacity per slot	4 A

Cable/line

Cable length	20 m
--------------	------

PUR/PVC black [PUR]

Dimensional drawing	
Cable weight	107.4 kg/km
UL AWM Style	20549 (80°C/300 V)
Number of positions	11
Shielded	no
Cable type	PUR/PVC black [PUR]
Conductor structure signal line	19x 0.15 mm

SACB-8 8-L-20,0PUR SCO P - Sensor/actuator box



1148535

<https://www.phoenixcontact.com/pc/products/1148535>

AWG signal line	22
Conductor cross section	8x 0.34 mm ² (Signal line)
	3x 0.75 mm ² (power line)
Wire diameter incl. insulation	1.3 mm ±0.1 mm (Signal line)
	1.8 mm ±0.1 mm (power line)
External cable diameter	8.5 mm ±0.2 mm
Outer sheath, material	PUR
External sheath, color	black RAL 9005
Conductor material	Bare Cu litz wires
Material wire insulation	PVC
Single wire, color	brown, blue, green/yellow, white, green, yellow, gray, pink, red, black, violet
Inner sheath thickness	≥ 0.15 mm
Thickness, outer sheath	≥ 0.38 mm
Overall twist	Wires twisted in layers
Max. conductor resistance	≤ 53 Ω/km (Signal line)
	≤ 26 Ω/km (power line)
Insulation resistance	≥ 5 MΩ*km
Nominal voltage, cable	300 V AC
Test voltage Core/Core	2000 V (50 Hz, 5 min.)
Minimum bending radius, fixed installation	7.5 x D
Minimum bending radius, flexible installation	10 x D
Max. bending cycles	1500000
Flame resistance	DIN EN 50265
Resistance to oil	according to VDE 0472 Part 803
Other resistance	Highly resistant to acids, alkaline solutions and solvents
Special properties	Silicone-free
Ambient temperature (operation)	-40 °C ... 90 °C (cable, fixed installation)
	-5 °C ... 80 °C (Cable, flexible installation)

Standards and regulations

Standard designation	M12 connector
Standards/specifications	IEC 61076-2-101

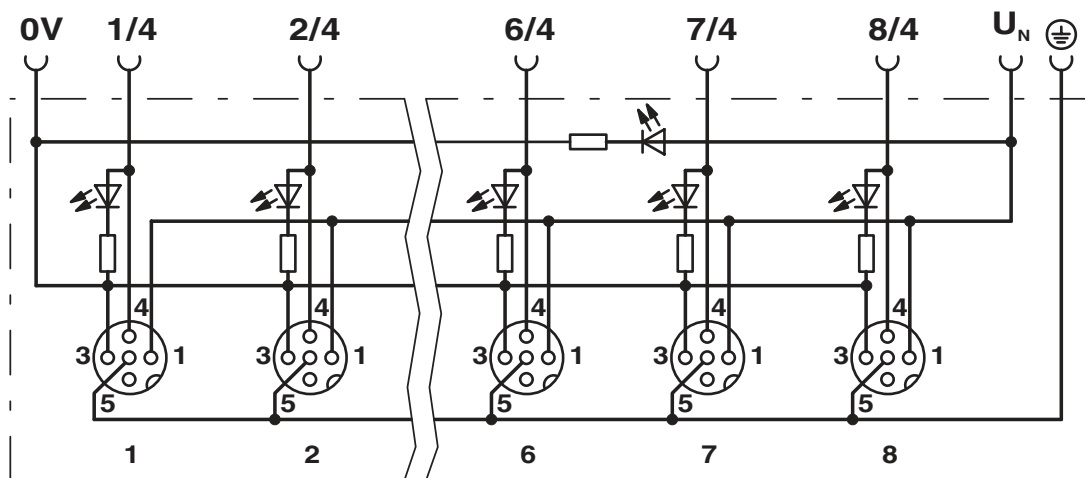
Environmental and real-life conditions

Ambient conditions

Degree of protection	IP65
	IP67

Drawings

Circuit diagram



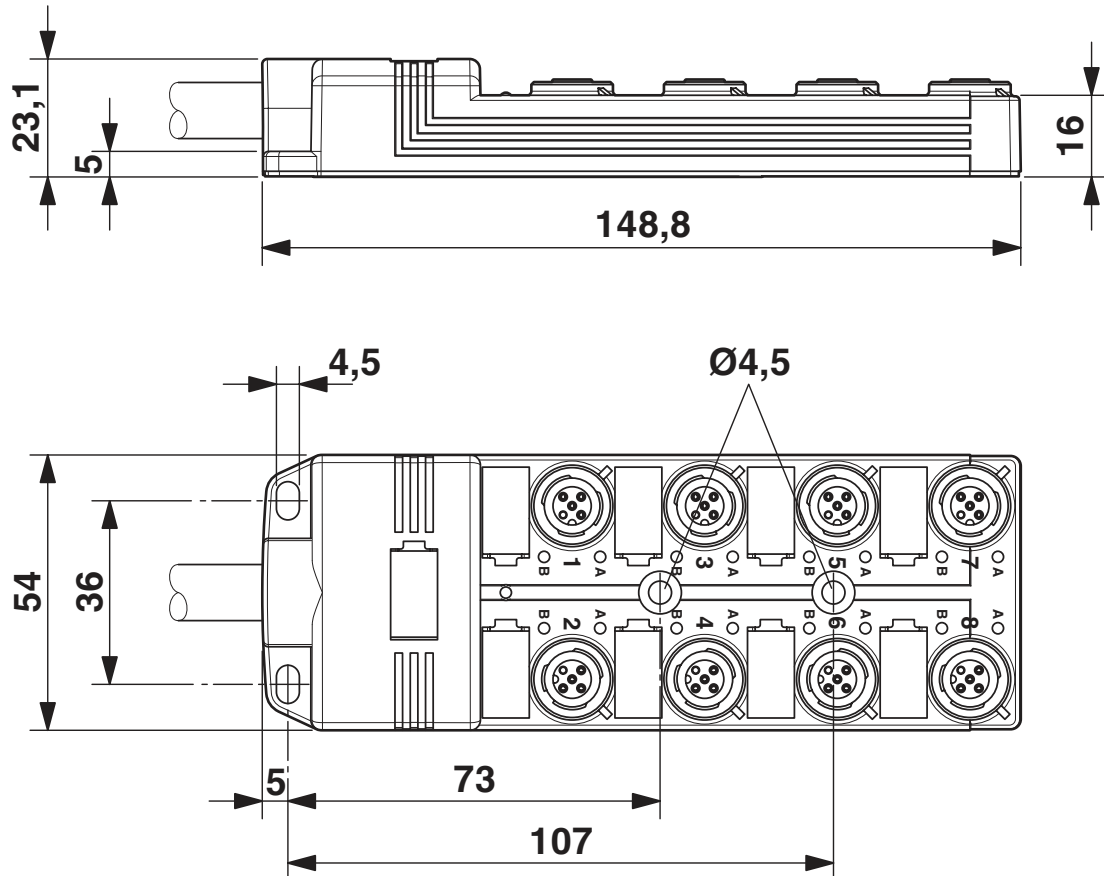
SACB-8 8-L-20,0PUR SCO P - Sensor/actuator box



1148535

<https://www.phoenixcontact.com/pc/products/1148535>

Dimensional drawing



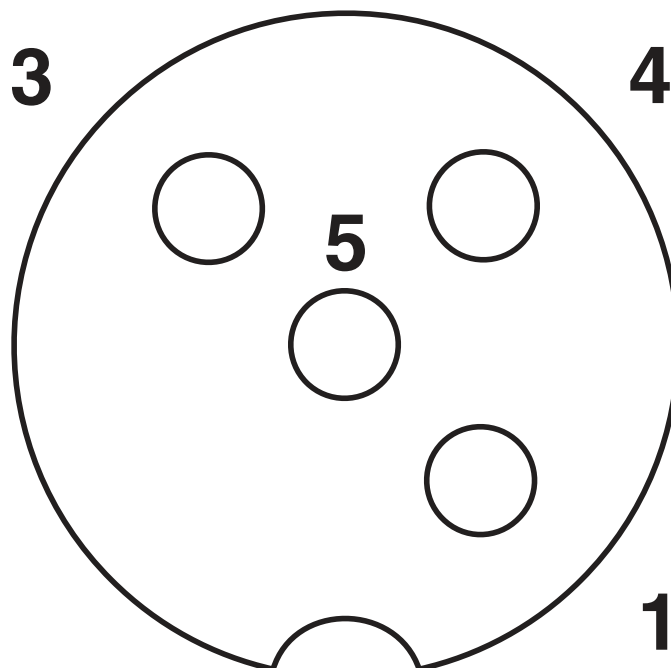
SACB-8 8-L-20,0PUR SCO P - Sensor/actuator box

1148535

<https://www.phoenixcontact.com/pc/products/1148535>



Schematic diagram



M12 slot, socket, 4-pos.

SACB-8 8-L-20,0PUR SCO P - Sensor/actuator box





1148535

<https://www.phoenixcontact.com/pc/products/1148535>

Approvals

To download certificates, visit the product detail page: <https://www.phoenixcontact.com/pc/products/1148535>

 cUL Recognized Approval ID: FILE E 118976				
	Nominal voltage U_N	Nominal current I_N	Cross section AWG	Cross section mm^2
	24 V	-	-	-

 UL Recognized Approval ID: FILE E 118976				
	Nominal voltage U_N	Nominal current I_N	Cross section AWG	Cross section mm^2
Signal	-	2 A	-	-
	24 V	4 A	-	-

cULus Recognized				
-------------------------	--	--	--	--

SACB-8 8-L-20,0PUR SCO P - Sensor/actuator box



1148535

<https://www.phoenixcontact.com/pc/products/1148535>

Classifications

ECLASS

ECLASS-11.0	27440108
ECLASS-12.0	27440108
ECLASS-13.0	27440108

ETIM

ETIM 8.0	EC002585
----------	----------

UNSPSC

UNSPSC 21.0	31251500
-------------	----------

SACB-8 8-L-20,0PUR SCO P - Sensor/actuator box



1148535

<https://www.phoenixcontact.com/pc/products/1148535>

Environmental product compliance

China RoHS	Environmentally friendly use period: unlimited = EFUP-e
	No hazardous substances above threshold values

Phoenix Contact 2023 © - all rights reserved
<https://www.phoenixcontact.com>

PHOENIX CONTACT GmbH & Co. KG
Flachmarktstraße 8
D-32825 Blomberg
+49 (0) 5235-3 00
info@phoenixcontact.com