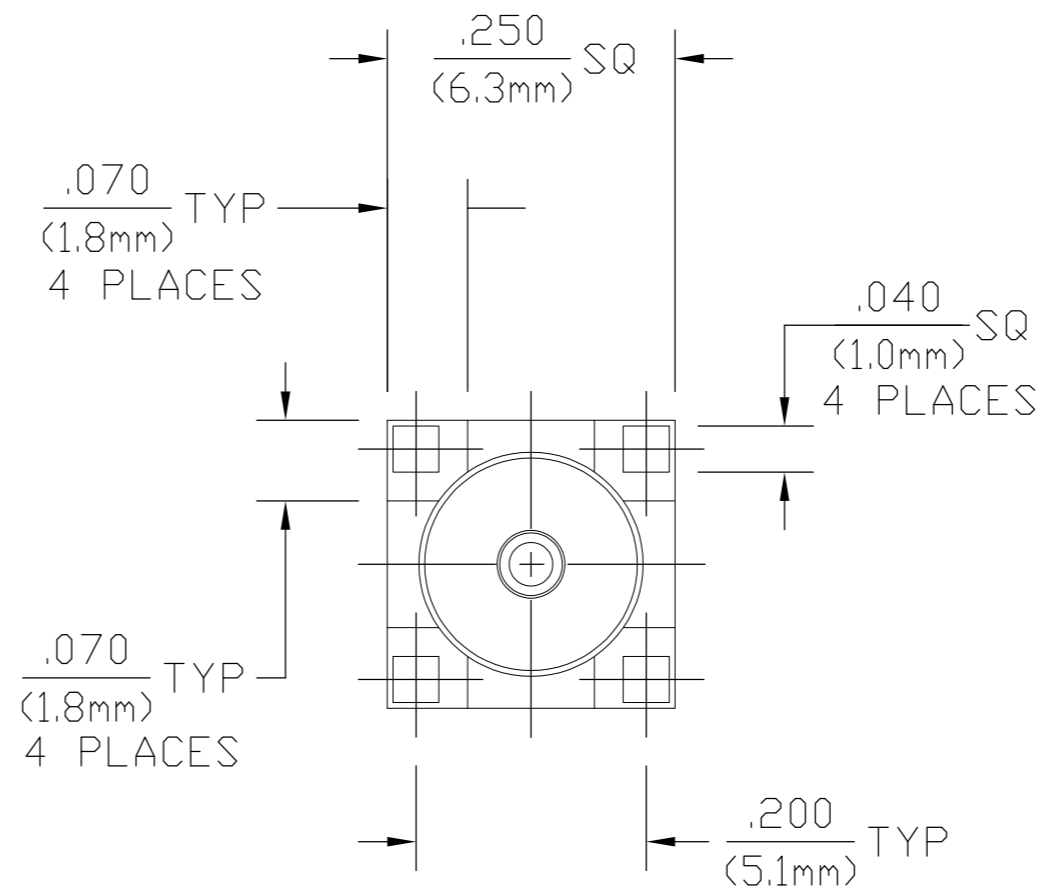
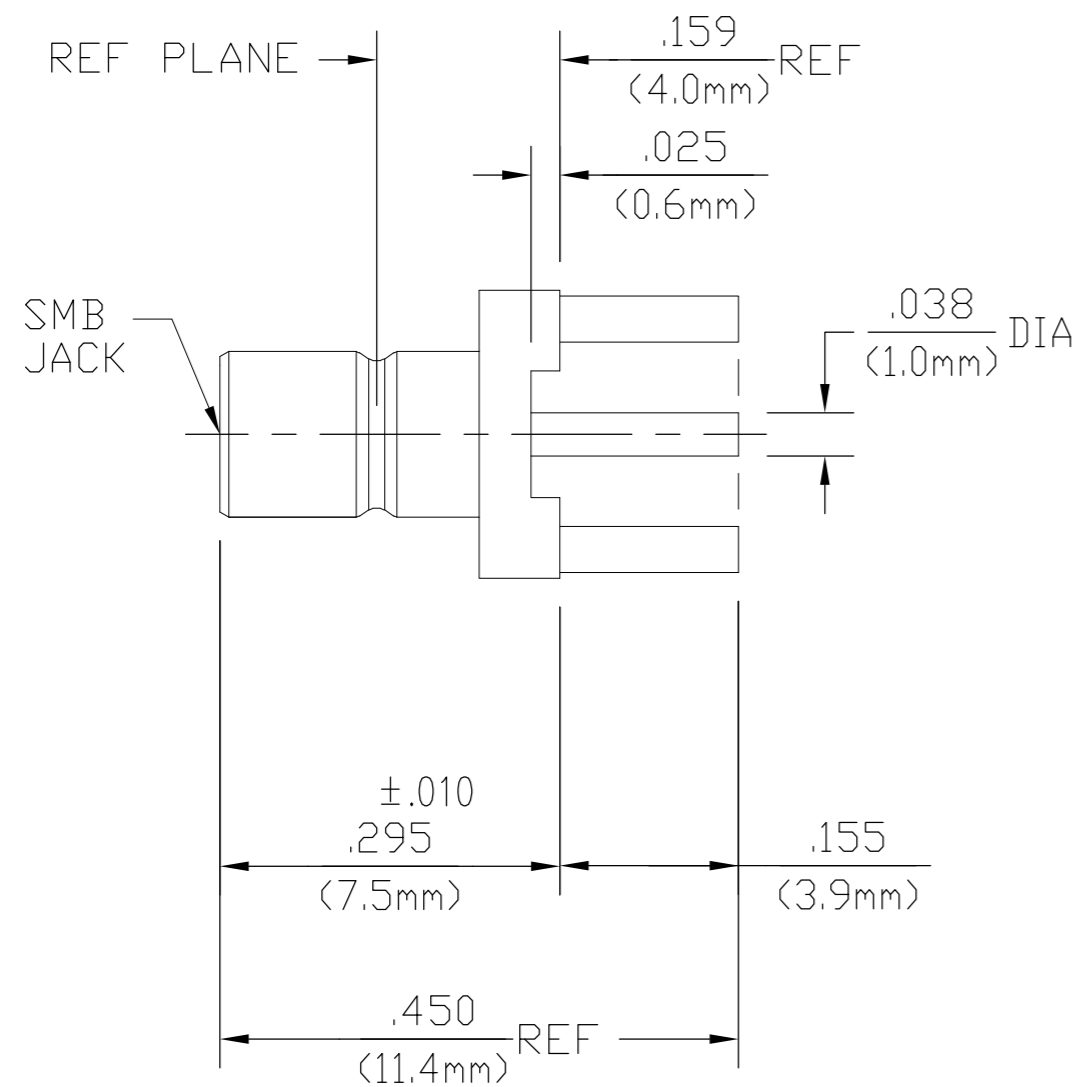
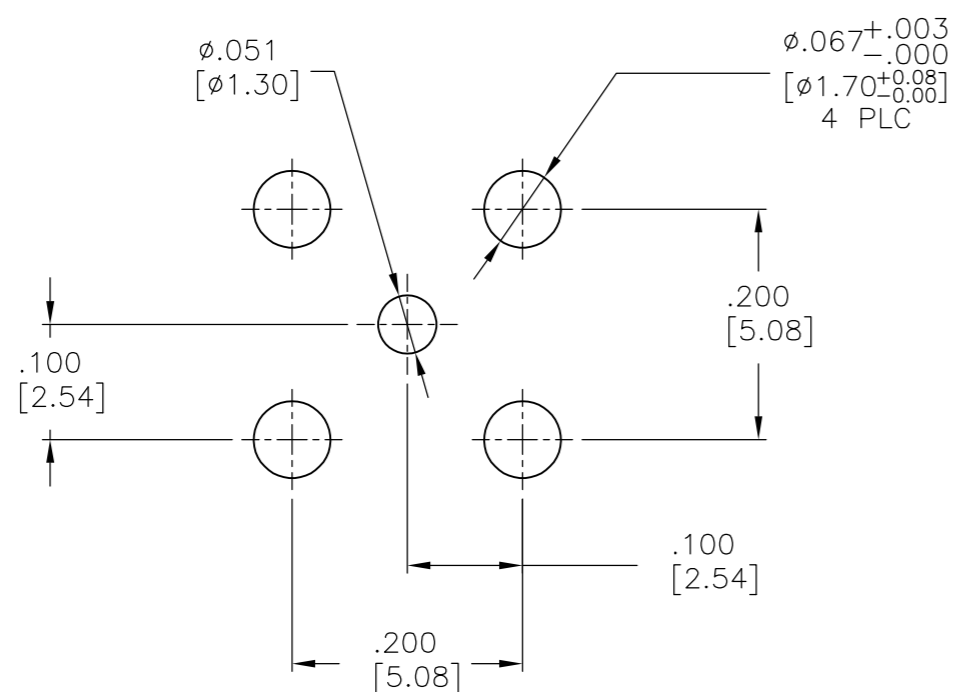


THIS DRAWING IS UNPUBLISHED. RELEASED FOR PUBLICATION
 © COPYRIGHT BY TYCO ELECTRONICS CORPORATION. ALL INTERNATIONAL RIGHTS RESERVED.

LOC	DIST	REVISIONS			
P	LTR	DESCRIPTION	DATE	DWN	APVD
AJ	16	C	REV PER ECO 08-026463	3DEC2008	DW JL



1. CAPTURED CENTER CONTACT.



RECOMMENDED PCB LAYOUT

HOUSING	BRASS PER ASTM-B-16	GOLD PLATE PER MIL-G-45204 OVER NICKEL PLATE PER QQ-N-290
DIELECTRIC	TFE FLUOROCARBON PER ASTM-D-1457	N/A
CENTER CONTACT	BRASS PER ASTM-B-16	GOLD PLATE PER MIL-G-45204 OVER NICKEL PLATE PER QQ-N-290
COMPONENT	MATERIAL	FINISH

THIS DRAWING IS A CONTROLLED DOCUMENT.		DWN J. HAVENER 25JUL2002	Tyco Electronics Corporation Harrisburg, PA 17105-3608	
DIMENSIONS: INCHES [mm]		CHK J. HAVENER 25JUL2002		
TOLERANCES UNLESS OTHERWISE SPECIFIED:		APVD K. WEIDNER 25JUL2002	NAME SMB SNAP-ON PC BOARD STRAIGHT JACK RECEPTACLE STRAIGHT TERMINAL (5162-5013-09)	
0 PLC ± -		PRODUCT SPEC	RESTRICTED TO	
1 PLC ± -		APPLICATION SPEC	SIZE A2 CAGE CODE 00779 DRAWING NO. 1060455-1	
2 PLC ± -		WEIGHT -	SCALE 5:1 SHEET 1 OF 1	
3 PLC ± .005 [0.13]		CUSTOMER DRAWING	REV C	
4 PLC ± -				
ANGLES ± 1°				
MATERIAL SEE TABLE	FINISH SEE TABLE			