

STRUCTURE Silicon Monolithic Integrated Circuit  
 PRODUCT NAME **Overvoltage Protection Controller with Internal FET**  
 MODEL NAME **BD6042GUL**

- FEATURES
- Overvoltage Protection up to 28V
  - Internal Low Ron (125mΩ) FET
  - Over voltage Lockout (OVLO)
  - Under voltage Lockout(UVLO)
  - Internal 2msec Startup Delay
  - Over Current Protect
  - Thermal Shut Down
  - Small package: VCSP50L1(1.6mm x 1.6mm, height=0.55mm)

● Absolute maximum ratings (Ta=25°C)

Contents	Symbol	Rating	Unit	Conditions
Input supply voltage 1	Vmax1	-0.3~30	V	IN
Input supply voltage 2	Vmax2	-0.3~7	V	other
Power dissipation	Pd	725	mW	
Operating temperature range	Topr	-35~+85	°C	
Storage temperature range	Tstr	-55~+150	°C	

※1 When using more than at Ta=25°C, it is reduced 5.8 mW per 1°C.  
 ROHM specification board 50mm× 58mm mounting.

● Operating range (Ta=-35~+85°C)

Parameter	Symbol	Range	Unit	Usage
Input voltage range	V <sub>in</sub>	2.2~28	V	

※ This product is not especially designed to be protected from radioactivity.

Status of this document.

The Japanese version of this document is the formal specification.

A customer may use this translation version only for reference to help reading the formal version.

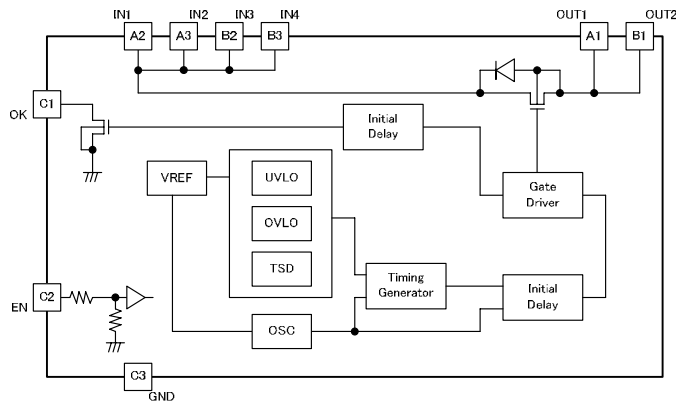
If there are any differences in translation version of this document, formal version takes priority.

**● Electrical Characteristics** (Unless otherwise noted, Ta = 25°C, IN=5V)

Parameter	Symbol	Rating			Unit	Conditions
		Min.	Typ.	Max.		
<b>● ELECTRICAL</b>						
Input Voltage Range	VIN	-	-	28	V	
Supply Quiescent Current	ICC		45	90	μA	
Under Voltage Lockout	UVLO	2.53	2.65	2.77	V	IN=decreasing
Under Voltage Lockout Hysteresis	UVLOh	50	100	150	mV	IN=increasing
Over Voltage Lockout	OVLO	6.0	6.2	6.4	V	IN=increasing
Over Voltage Lockout Hysteresis	OVLOh	50	100	150	mV	IN=decreasing
Current limit	ILM	1.2	-	-	A	
Vin vs. Vout Res.	RON	-	125	150	mΩ	
OK Output Low Voltage	OKVO	-	-	400	mV	SINK=1mA
OK Leakage Current	OKleak	-	-	1	μA	
EN input voltage (H)	ENH	1.45	-	-	V	
EN input voltage (L)	ENL	-	-	0.5	V	
EN input current	ENC	12	25	50	μA	EN=1.5V
<b>● TIMINGS</b>						
Start Up Delay	Ton	-	2	4	msec	
OK Going Up Delay	Tok	-	10	15	msec	
Output Turn Off Time	Toff	-	2	10	μsec	
Alert Delay	Tovp	-	1.5	10	μsec	

\* This product is not especially designed to be protected from radioactivity.

● **Block Diagram**



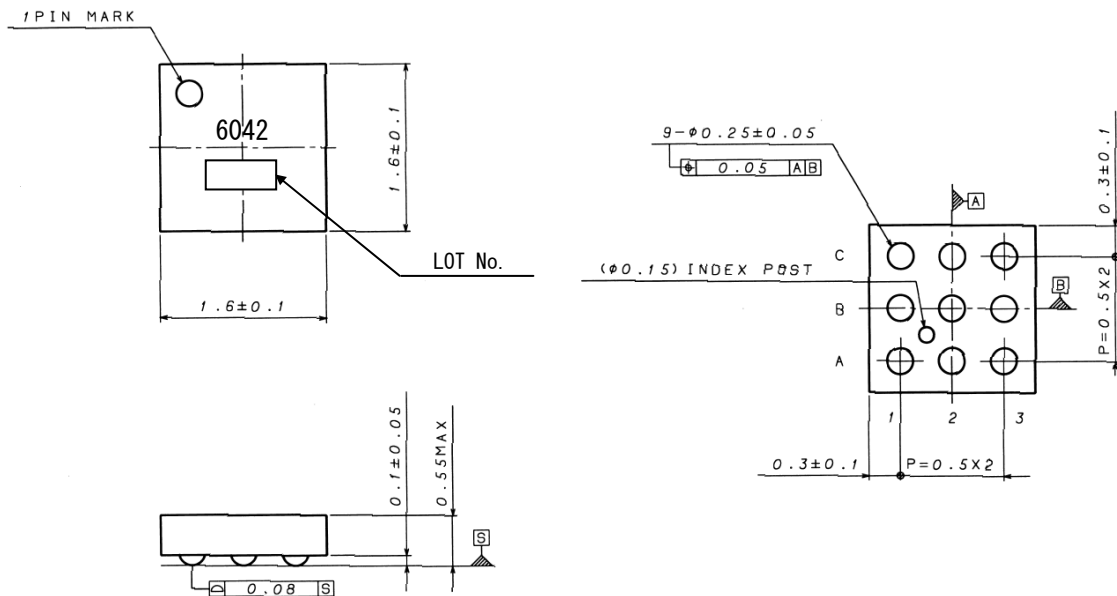
● **PIN number/PIN name**

Pin number	Pin name
A2	IN1
A3	IN2
B2	IN3
B3	IN4
A1	OUT1
B1	OUT2
C1	OK
C2	EN
C3	GND

● **PIN DESCRIPTIONS**

PIN	NAME	FUNCTION
A2, A3 B2, B3	IN1, 2, 3, 4	Input voltage Pin. A 1 $\mu$ F low ESR capacitor, or larger must be connected between this pin and GND
A1, B1	OUT1, 2	Output Voltage Pin
C1	OK	Active-low open drain output to signal if the adapter voltage is correct
C3	GND	Ground Pin
C2	EN	Enable input Drive EN high to turn off OUT (Hi-z output)

● **Package Dimensions (VCSP50L1)**



**●**Use-related Cautions

## (1) Absolute maximum ratings

If applied voltage (VDD, VIN), operating temperature range (Topr), or other absolute maximum ratings are exceeded, there is a risk of damage. Since it is not possible to identify short, open, or other damage modes, if special modes in which absolute maximum ratings are exceeded are assumed, consider applying fuses or other physical safety measures.

## (2) Recommended operating range

This is the range within which it is possible to obtain roughly the expected characteristics. For electrical characteristics, it is those that are guaranteed under the conditions for each parameter. Even when these are within the recommended operating range, voltage and temperature characteristics are indicated.

## (3) Reverse connection of power supply connector

There is a risk of damaging the LSI by reverse connection of the power supply connector. For protection from reverse connection, take measures such as externally placing a diode between the power supply and the power supply pin of the LSI.

## (4) Power supply lines

In the design of the board pattern, make power supply and GND line wiring low impedance.

When doing so, although the digital power supply and analog power supply are the same potential, separate the digital power supply pattern and analog power supply pattern to deter digital noise from entering the analog power supply due to the common impedance of the wiring patterns. Similarly take pattern design into account for GND lines as well.

Furthermore, for all power supply pins of the LSI, in conjunction with inserting capacitors between power supply and GND pins, when using electrolytic capacitors, determine constants upon adequately confirming that capacitance loss occurring at low temperatures is not a problem for various characteristics of the capacitors used.

## (5) GND voltage

Make the potential of a GND pin such that it will be the lowest potential even if operating below that. In addition, confirm that there are no pins for which the potential becomes less than a GND by actually including transition phenomena.

## (6) Shorts between pins and misinstallation

When installing in the set board, pay adequate attention to orientation and placement discrepancies of the LSI. If it is installed erroneously, there is a risk of LSI damage. There also is a risk of damage if it is shorted by a foreign substance getting between pins or between a pin and a power supply or GND.

## (7) Operation in strong magnetic fields

Be careful when using the LSI in a strong magnetic field, since it may malfunction.

## (8) Inspection in set board

When inspecting the LSI in the set board, since there is a risk of stress to the LSI when capacitors are connected to low impedance LSI pins, be sure to discharge for each process. Moreover, when getting it on and off of a jig in the inspection process, always connect it after turning off the power supply, perform the inspection, and remove it after turning off the power supply. Furthermore, as countermeasures against static electricity, use grounding in the assembly process and take appropriate care in transport and storage.

## (9) Input pins

Parasitic elements inevitably are formed on an LSI structure due to potential relationships. Because parasitic elements operate, they give rise to interference with circuit operation and may be the cause of malfunctions as well as damage. Accordingly, take care not to apply a lower voltage than GND to an input pin or use the LSI in other ways such that parasitic elements operate. Moreover, do not apply a voltage to an input pin when the power supply voltage is not being applied to the LSI. Furthermore, when the power supply voltage is being applied, make each input pin a voltage less than the power supply voltage as well as within the guaranteed values of electrical characteristics.

## (10) Ground wiring pattern

When there is a small signal GND and a large current GND, it is recommended that you separate the large current GND pattern and small signal GND pattern and provide single point grounding at the reference point of the set so that voltage variation due to resistance components of the pattern wiring and large currents do not cause the small signal GND voltage to change. Take care that the GND wiring pattern of externally attached components also does not change.

## (11) Externally attached capacitors

When using ceramic capacitors for externally attached capacitors, determine constants upon taking into account a lowering of the rated capacitance due to DC bias and capacitance change due to factors such as temperature.

## (12) Thermal shutdown circuit (TSD)

When the junction temperature reaches the defined value, the thermal shutdown circuit operates and turns a switch OFF. The thermal shutdown circuit, which is aimed at isolating the LSI from thermal runaway as much as possible, is not aimed at the protection or guarantee of the LSI. Therefore, do not continuously use the LSI with this circuit operating or use the LSI assuming its operation.

## (13) Thermal design

Perform thermal design in which there are adequate margins by taking into account the permissible dissipation (Pd) in actual states of use.

### Notes

No copying or reproduction of this document, in part or in whole, is permitted without the consent of ROHM CO.,LTD.

The content specified herein is subject to change for improvement without notice.

The content specified herein is for the purpose of introducing ROHM's products (hereinafter "Products"). If you wish to use any such Product, please be sure to refer to the specifications, which can be obtained from ROHM upon request.

Examples of application circuits, circuit constants and any other information contained herein illustrate the standard usage and operations of the Products. The peripheral conditions must be taken into account when designing circuits for mass production.

Great care was taken in ensuring the accuracy of the information specified in this document. However, should you incur any damage arising from any inaccuracy or misprint of such information, ROHM shall bear no responsibility for such damage.

The technical information specified herein is intended only to show the typical functions of and examples of application circuits for the Products. ROHM does not grant you, explicitly or implicitly, any license to use or exercise intellectual property or other rights held by ROHM and other parties. ROHM shall bear no responsibility whatsoever for any dispute arising from the use of such technical information.

The Products specified in this document are intended to be used with general-use electronic equipment or devices (such as audio visual equipment, office-automation equipment, communication devices, electronic appliances and amusement devices).

The Products are not designed to be radiation tolerant.

While ROHM always makes efforts to enhance the quality and reliability of its Products, a Product may fail or malfunction for a variety of reasons.

Please be sure to implement in your equipment using the Products safety measures to guard against the possibility of physical injury, fire or any other damage caused in the event of the failure of any Product, such as derating, redundancy, fire control and fail-safe designs. ROHM shall bear no responsibility whatsoever for your use of any Product outside of the prescribed scope or not in accordance with the instruction manual.

The Products are not designed or manufactured to be used with any equipment, device or system which requires an extremely high level of reliability the failure or malfunction of which may result in a direct threat to human life or create a risk of human injury (such as a medical instrument, transportation equipment, aerospace machinery, nuclear-reactor controller, fuel-controller or other safety device). ROHM shall bear no responsibility in any way for use of any of the Products for the above special purposes. If a Product is intended to be used for any such special purpose, please contact a ROHM sales representative before purchasing.

If you intend to export or ship overseas any Product or technology specified herein that may be controlled under the Foreign Exchange and the Foreign Trade Law, you will be required to obtain a license or permit under the Law.

Thank you for your accessing to ROHM product informations.

More detail product informations and catalogs are available, please contact your nearest sales office.

**ROHM Customer Support System**

**THE AMERICAS / EUROPE / ASIA / JAPAN**

[www.rohm.com](http://www.rohm.com)

Contact us : [webmaster@rohm.co.jp](mailto:webmaster@rohm.co.jp)