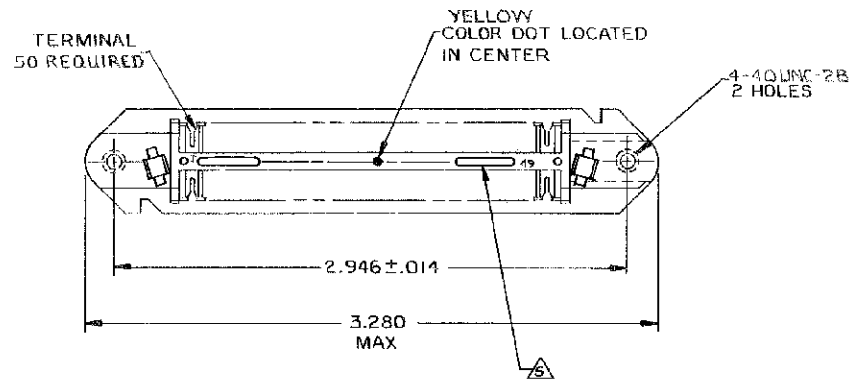
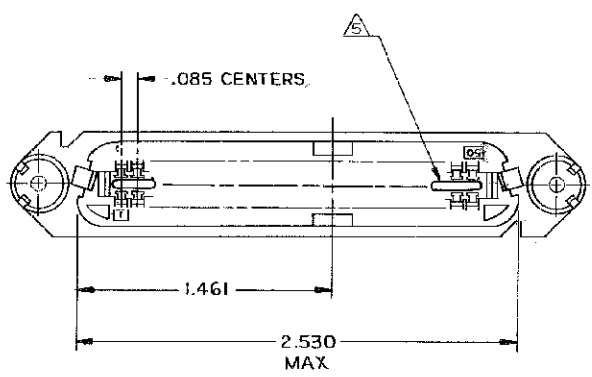
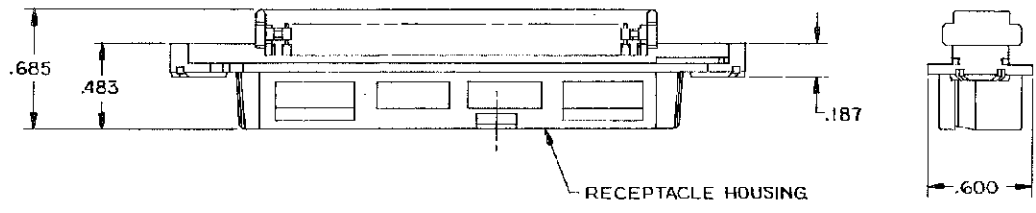


THIS DRAWING IS UNPUBLISHED. RELEASED FOR PUBLICATION
 © COPYRIGHT BY TYCO ELECTRONICS CORPORATION. ALL RIGHTS RESERVED.

| LOC | | DIST | | REVISIONS | | | |
|-----|----|------|-----|---------------------------|-----------|-----|------|
| GP | 00 | FP | LVR | DESCRIPTION | DATE | OWN | APPD |
| | | S | | REVISED PER ECO-08-007327 | 26JAN2009 | ZMR | WLM |



1. THE CONTACT SURFACES OF THE TERMINALS ARE COATED WITH LUBRICANT.
2. ALL DIMENSIONS SHOWN ARE FOR REFERENCE ONLY UNLESS OTHERWISE SPECIFIED.
3. MATERIAL:
HOUSING - THERMOPLASTIC
TERMINALS - HIGH STRENGTH COPPER ALLOY PLATED WITH EITHER .000030 MIN GOLD OR GOLD FLASH OVER PALLADIUM NICKEL .000030 MIN TOTAL ON CONTACT MATING SURFACE. .000050 MIN NICKEL UNDERPLATE OVER ENTIRE TERMINAL.
4. WIRE SIZE: 26-27-28 AWG 7 STRANDS OF COPPER CONDUCTORS. MAX INSULATION Ø.045 IS ACCEPTABLE FOR MOST APPLICATIONS.
5. CORING MAY OR MAY NOT APPEAR AND IS AT THE DISCRETION OF TYCO ELECTRONICS.



| | |
|-------|----------|
| BLACK | 552391-1 |
| COLOR | PART NO |

| | | | |
|--|------------|---|---|
| THIS DRAWING IS A CONTROLLED DOCUMENT. | | OWN STEPHEN DOSS 2-12-80 | Tyco Electronics Corporation Harrisburg, PA 17105-3608 |
| | | CHK V.E. SLACK 2-14-80 | |
| DIMENSIONS: INCHES | | APRD B.G. WARD 2-15-80 | NAME |
| TOLERANCES UNLESS OTHERWISE SPECIFIED: | | RECEPTACLE ASSY, 50 POSITIONS, E SLOT W/ 4-4D HOLES, CHAMP-LOK | |
| 0 PLC ± - | 1 PLC ± - | PRODUCT SPEC | |
| 2 PLC ± - | 3 PLC ± - | APPLICATION SPEC | |
| 4 PLC ± - | ANGLES ± - | WEIGHT | SIZE |
| MATERIAL | | FINISH | PAGE CODE |
| | | | DRAWING NO |
| | | CUSTOMER DRAWING | SCALE |
| | | | NTS |
| | | | SHEET |
| | | | 1 of 1 |
| | | | REV |
| | | | S |