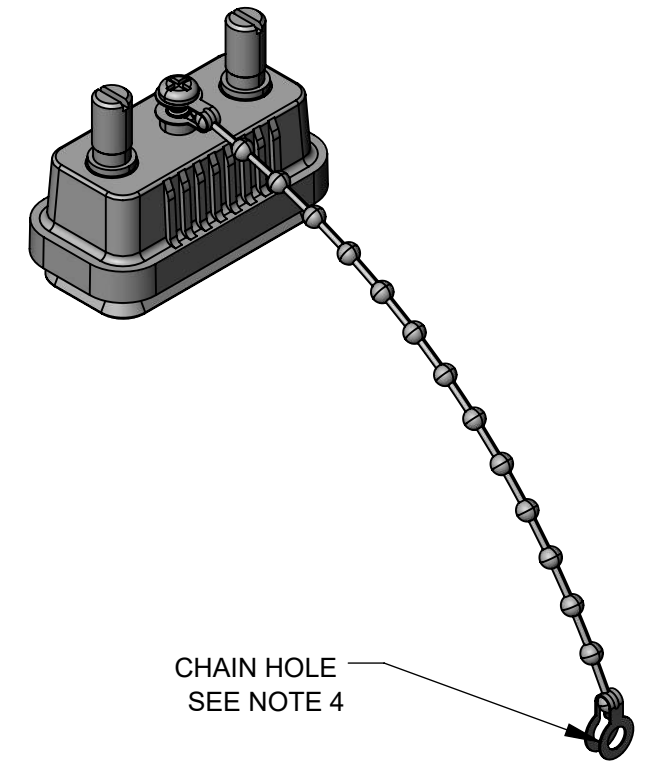
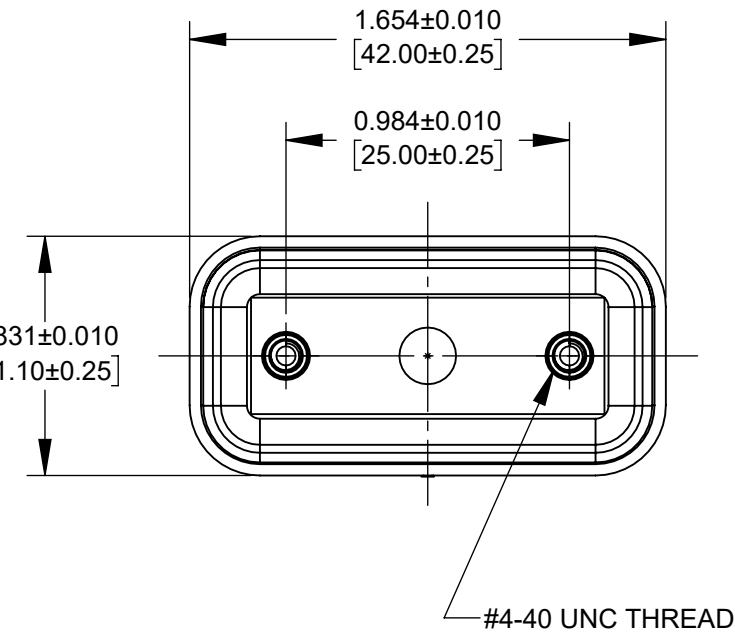
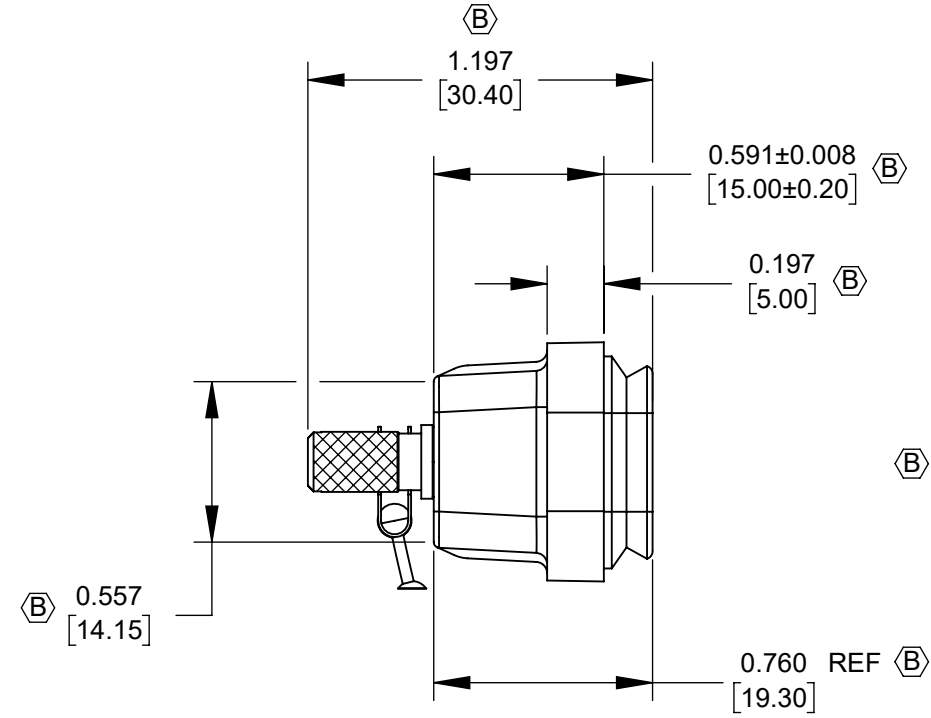
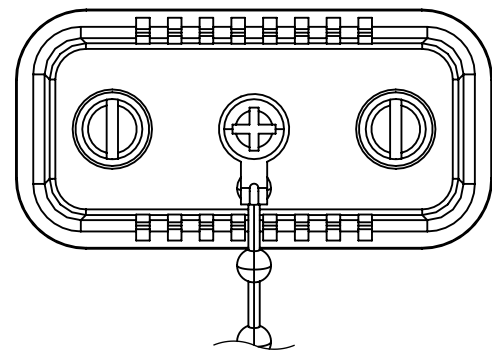


ASSEMBLY EXPLODED VIEW  
SCALE 1:1



SCALE 1:1

CHAIN  
SEE NOTE 4

- NOTES:**
- MATERIALS  
 HOUSING - THERMOPLASTIC, BLACK  
 GASKET - SILICONE, BLACK  
 O-RING - SILICONE, BLACK  
 JACKSCREW - BRASS, NICKEL PLATED  
 CHAIN SCREW - STAINLESS STEEL  
 CHAIN - STAINLESS STEEL
  - COVER FITS CONNECTOR TYPE DB9 AND HD15.
  - THIS WATERPROOF COVER IS IP67 RATED.
  - CHAIN : 2 INCHES [50.8] LONG -  $\phi$ 0.118 [3.00].  
CHAIN HOLE :  $\phi$ 0.134 [3.40].
  - THIS PRODUCT IS PACKAGED IN A CLEAR SEALED BAG.
  - THIS PRODUCT IS RoHS COMPLIANT.

**CUSTOMER DRAWING**

REV	ECO NUMBER	DATE	BY	APVD
B	28460	01/25/22	PC	TJK
A	RELEASE 26789	06/14/11	BL	TJK
REVISIONS				

UNLESS OTHERWISE SPECIFIED

1. ALL DIMENSIONS IN INCHES [mm]  
 - TWO PLACE DECIMALS  $\pm$ 0.02 [0.5]  
 - THREE PLACE DECIMALS  $\pm$ 0.005 [0.13]

DO NOT SCALE DRAWING

THIS DRAWING DESCRIBES A DESIGN CONSIDERED PROPRIETARY IN NATURE, DEVELOPED AND MANUFACTURED BY SWITCHCRAFT INC. AND IS RELEASED ON A CONFIDENTIAL BASIS FOR IDENTIFICATION PURPOSES ONLY.										
SIZE	WIDTH	MULT	LBS/M	TEMPER						
FINISH					MATERIAL					
SPEC No.					SPEC No.					
FIRST USED ON					SCALE					
					3:2					
DATE DRAWN	BY	CHKD	APVD	Switchcraft®						
11/20/10	JGK	07/11/11	07/11/11	SHEET 1 OF 1						
				NAME				PART No.		REV
				DSUB PANEL, WATERPROOF COVER, RoHS				DBSCAP		B