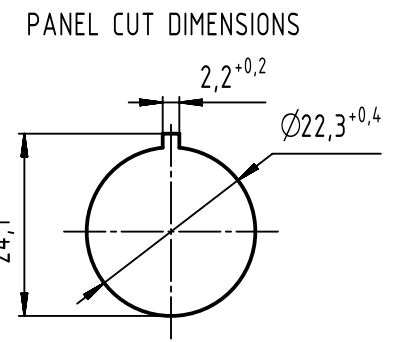
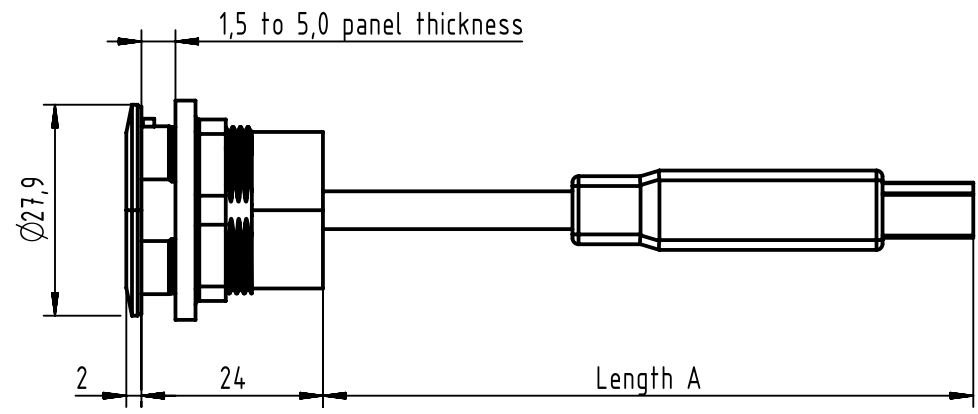
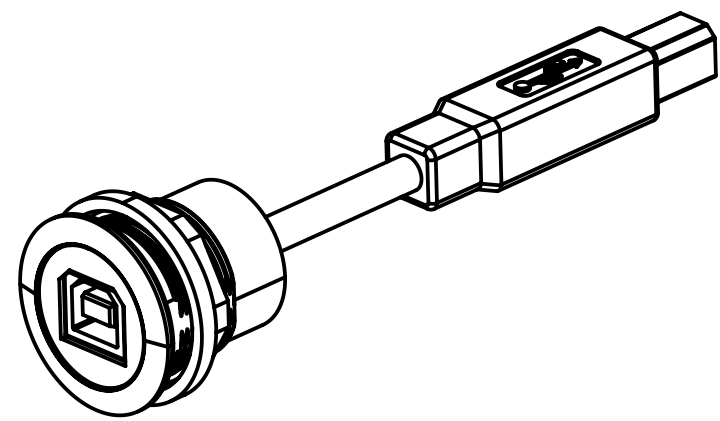


A



B

C



D

Length A	Part number
0,5m	09 45 452 1910
1,0m	09 45 452 1911
1,5m	09 45 452 1912
2,0m	09 45 452 1913
3,0m	09 45 452 1914
5,0m	09 45 452 1915
4,0m	09 45 452 1916

	All rights reserved Department EC PD - RO	All Dimensions in mm Original Size DIN A4		Scale 1:1	Free size tol.	Ref.
		Created by TAMAS	Inspected by AVRAM	Standardisation HOFFMANN	Date 2016-11-25	State Final Release
HARTING Electronics GmbH D-32339 Espelkamp				Title har-port USB 2.0 B-B		Doc-Key / ECM-Nr. 100212026/UGD/002/C 500000111080
Type TB		Number 0945452191X		Rev. C	Page 1/1	