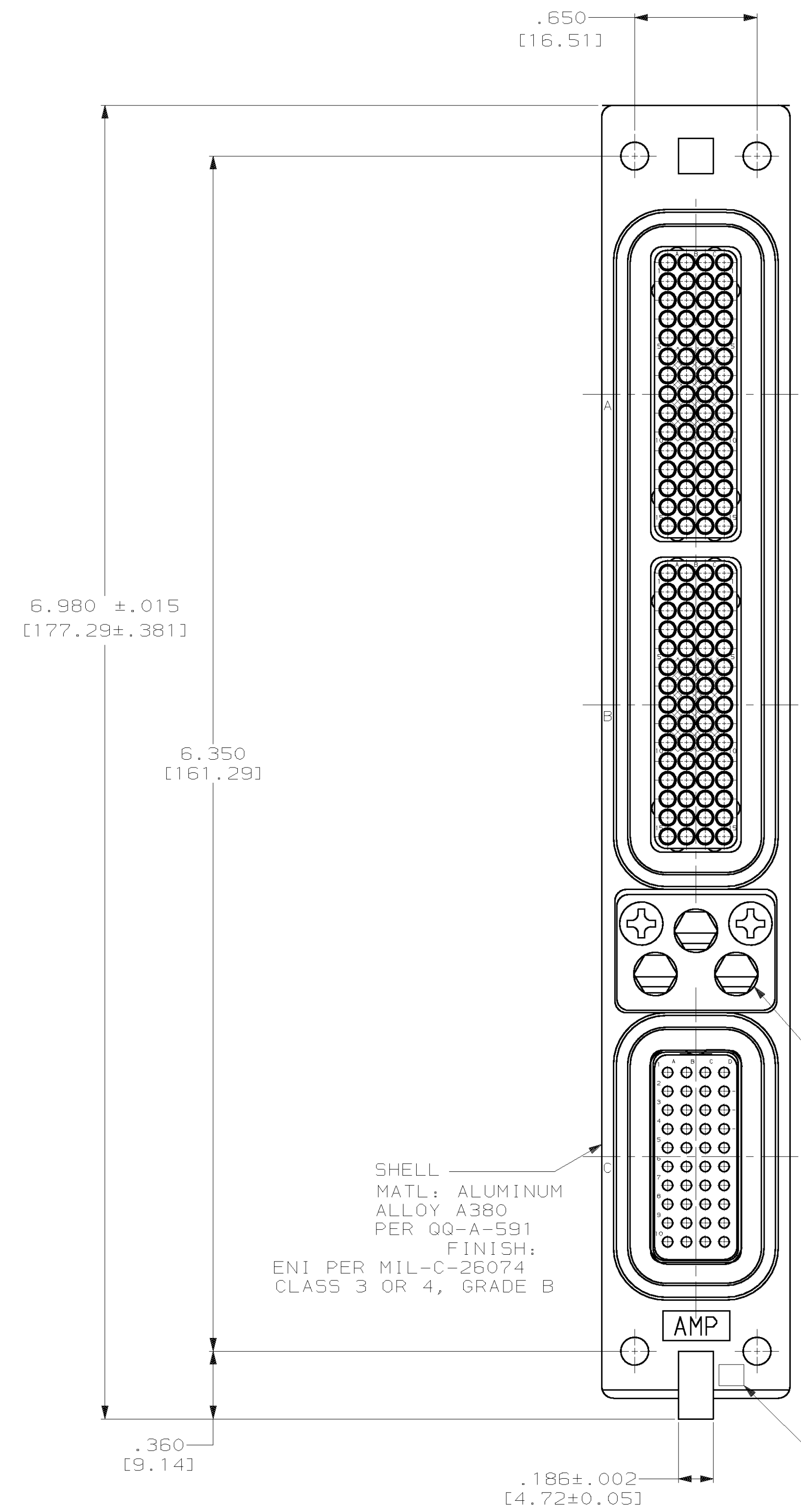
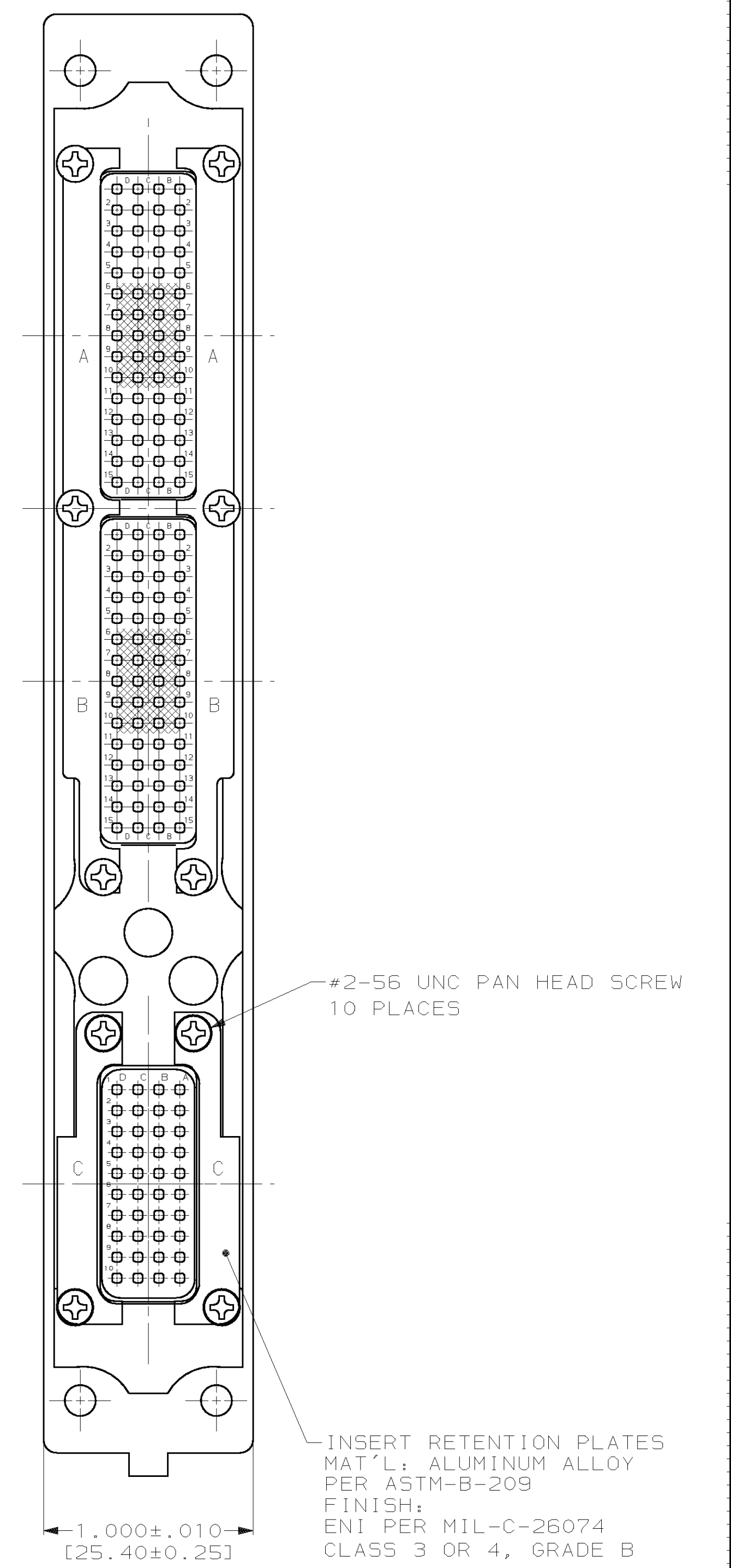
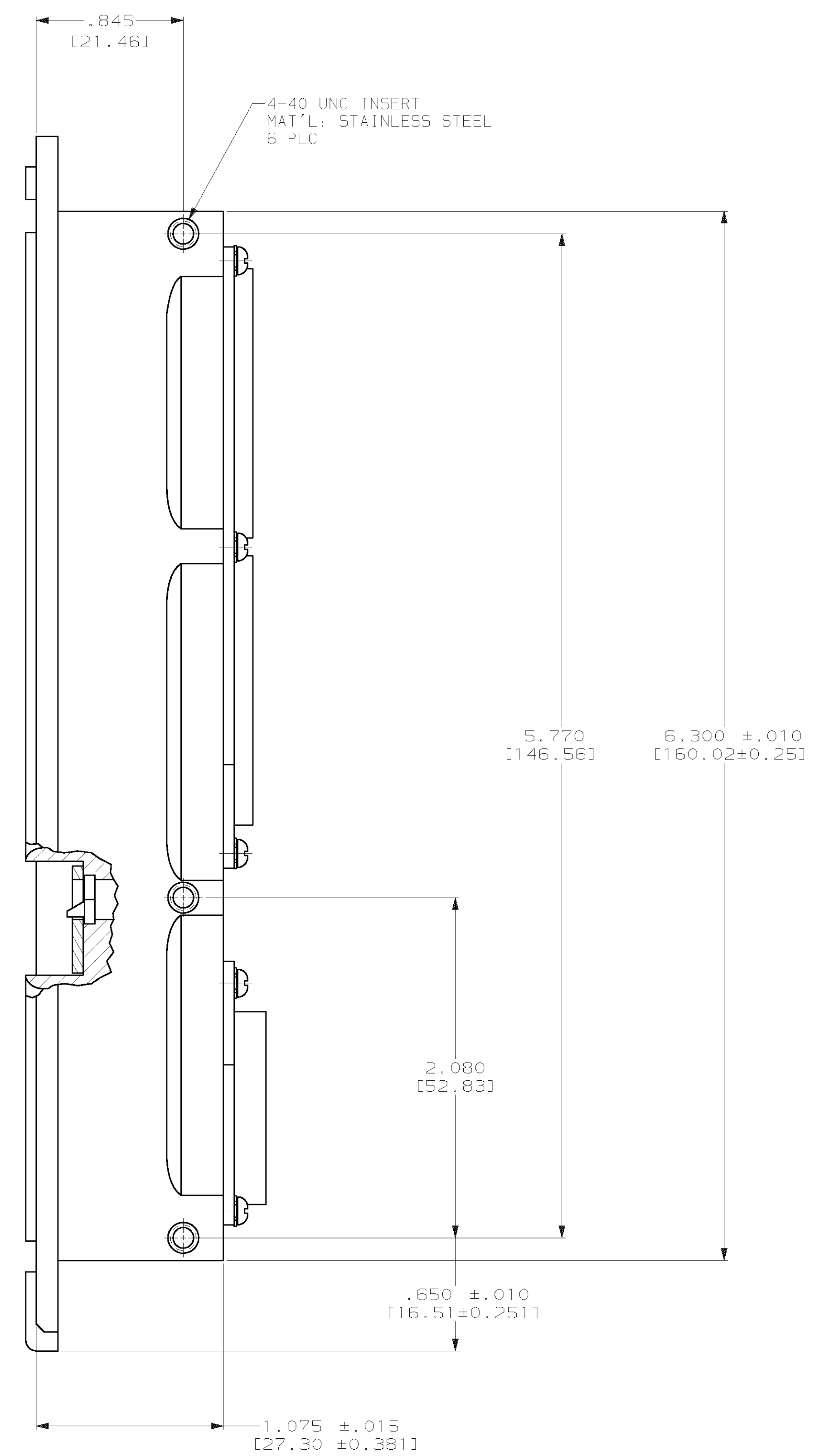


LOC	DIST	P	F	ZONE	LTR	REVISIONS	DATE	APPD
DF	A0					0 RELEASED	5-03	SG



3  
 POLARIZATION KEYWAYS  
 MAT'L: ZINC ALLOY PER ASTM-B-86  
 RETAINER PLATE  
 MAT'L: ALUMINUM ALLOY PER AMS-QQ-A-250  
 FINISH: BLUE ANODIZED PER MIL-A-8625



- PARTS MEET THE REQUIRMENTS OF THE ARINC 600 SPECIFICATION.
- NO CONTACTS ARE INCLUDED WITH THE CONNECTOR
- KEYING HARDWARE SUPPLIED UNASSEMBLED.

2	3	FRONT RELEASE 40 SOCKET	FRONT RELEASE 60 SOCKET	FRONT RELEASE 60 SOCKET	1663540-1
NOTES	C MODULE	B MODULE	A MODULE	PART NUMBER	

DO NOT SCALE PRINT. UNLESS SPECIFIED DIMENSIONS IN INCHES [mm] TOLERANCES - ON : 2 PLC DEC ± - 3 PLC DEC ± .005 [0.13] ANGLES ± -	DR 5-29-03 C.C. THOMAS CHK 5-29-03 S. GLATFELTER APPD 5-29-03 S. GLATFELTER RLSE 5-29-03 C.C. THOMAS	<b>AMP</b> AMP Incorporated Harrisburg, PA 17105-3608 NAME RECEPTACLE ASSEMBLY, SIZE ONE ARINC 600, FRONT RELEASE			
SEE CALLOUT	PRODUCT SPEC -				
FINISH SEE CALLOUT	APPLICATION SPEC -	SIZE D	CAGE CODE 00779	DRAWING NO. 1663540	
	WEIGHT -	SCALE 2:1	SHEET 1 OF 1		