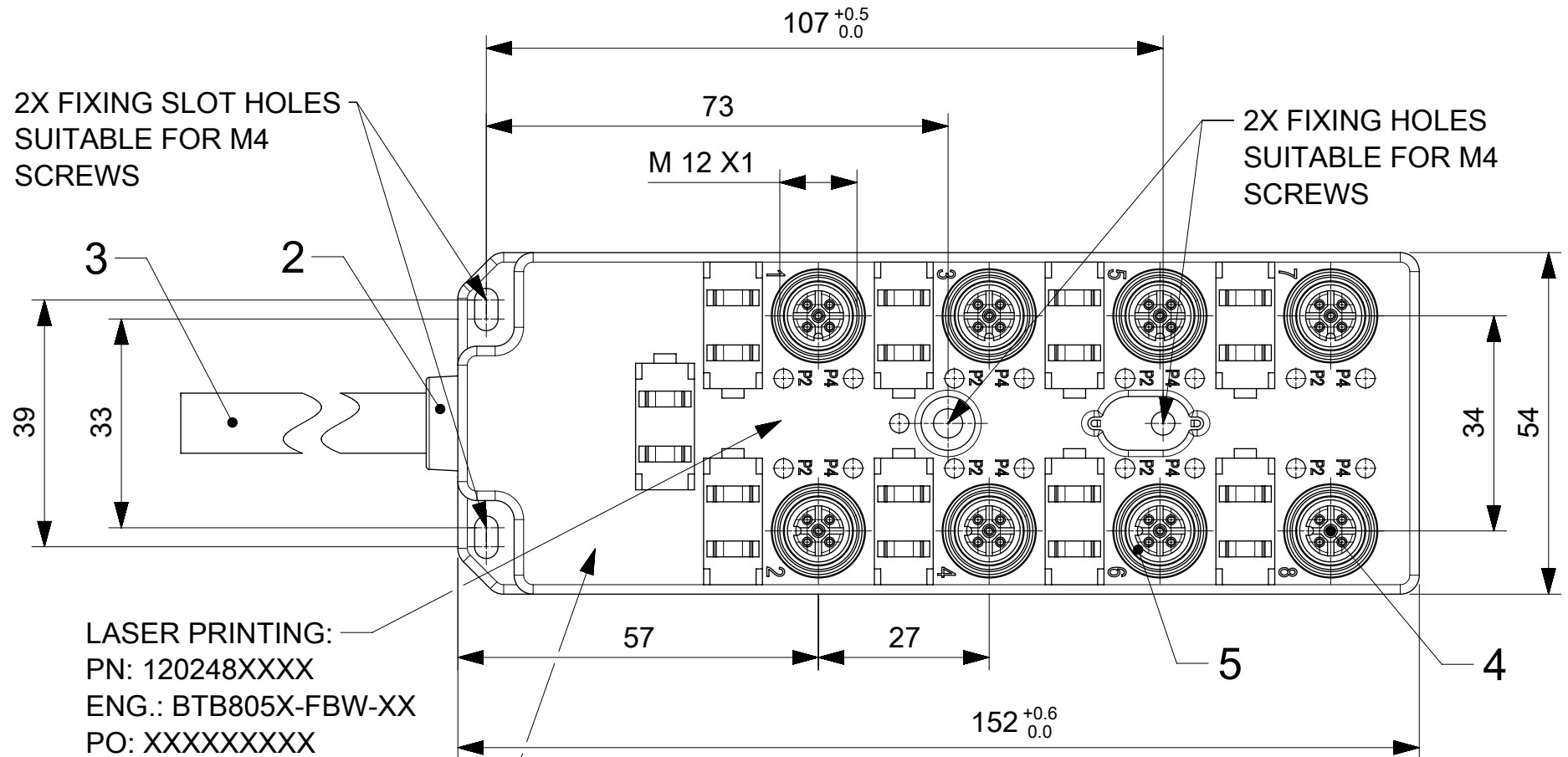


TABLE 1

MOLEX P/N	ENG. NO.	CABLE LENGTH (mm)	LED
1202480108	BTB8050-FBW-02	2000	NO
1202480046	BTB8050-FBW-05	5000	NO
1202480047	BTB8050-FBW-10	10000	NO
1202480048	BTB8050-FBW-15	15000	NO
1202480049	BTB805P-FBW-05	5000	YES
1202480050	BTB805P-FBW-10	10000	YES
1202480051	BTB805P-FBW-15	15000	YES
1202480052	BTB805N-FBW-05	5000	YES
1202480053	BTB805N-FBW-10	10000	YES
1202480054	BTB805N-FBW-15	15000	YES

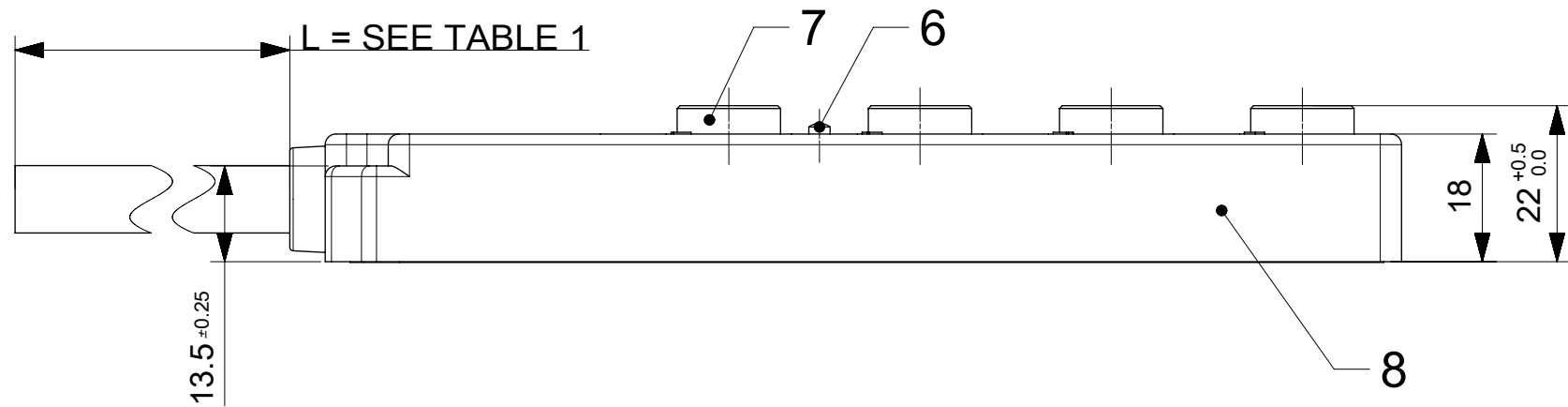
TABLE 2 BILL OF MATERIAL

ITEM	DESCRIPTION	MATERIAL	FINISH
1	LABEL	ABS	WHITE
2	CABLE PLATE	PBT	BLACK
3	CABLE	TPU BASED	BLACK
4	CONTACT	BRONZE	GOLD OVER NICKEL
5	O-RING	FPM	RED
6	LED	NON LED = PA	BLACK
		WITH LED = PA	TRANSPARENT
7	SHELL	BRASS	NICKEL PLATED
8	HOUSING	PBT	BLACK

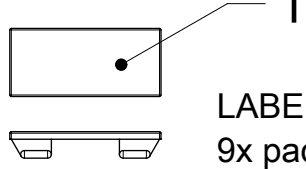


LASER PRINTING:
 PN: 120248XXXX
 ENG.: BTB805X-FBW-XX
 PO: XXXXXXXXXX

LASER PRINTING:
 BRAD LOGO



SCALE 1:1

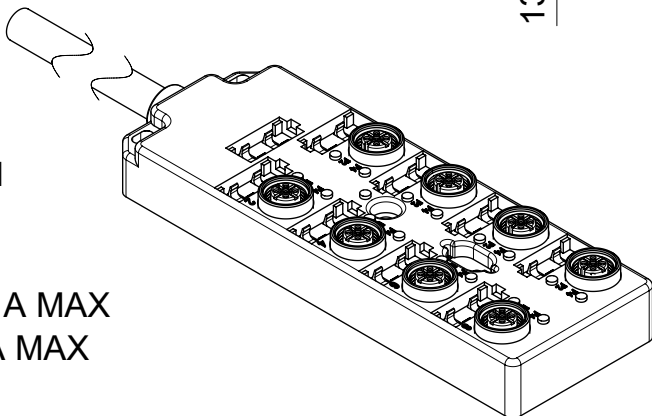


LABEL
 9x packed in a bag

GENERAL CHARACTERISTICS:

ELECTRICAL AND MECHANICAL DATA ACC. TO IEC 61076-2-101

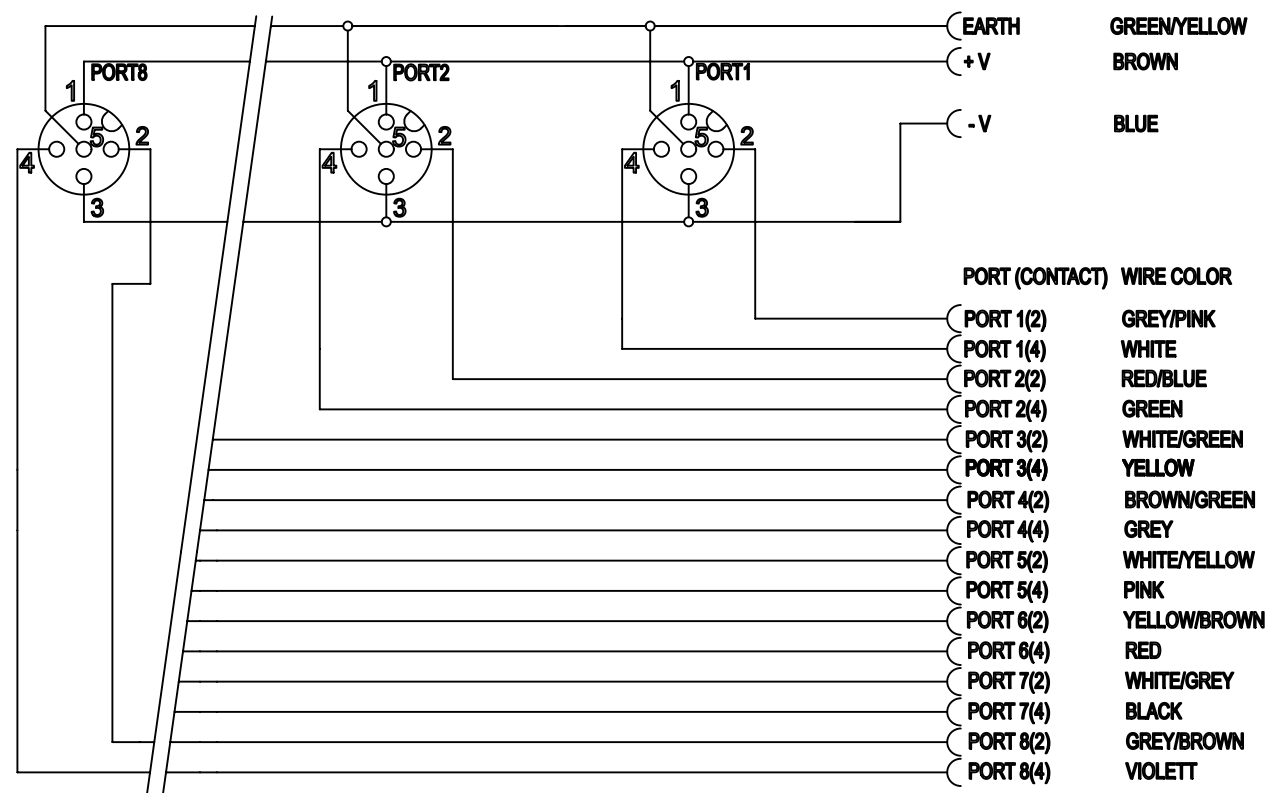
NOMINAL VOLTAGE: 10-30 V DC
 AMPERE RATING: 4 A PER PORT / 12 A MAX
 AMPERE RATING WITH UL REGISTRATION: 3 A PER PORT / 9 A MAX
 IP DEGREE OF PROTECTION: IP 67
 TEMPERATURE RANGE: -25°C to + 85°C



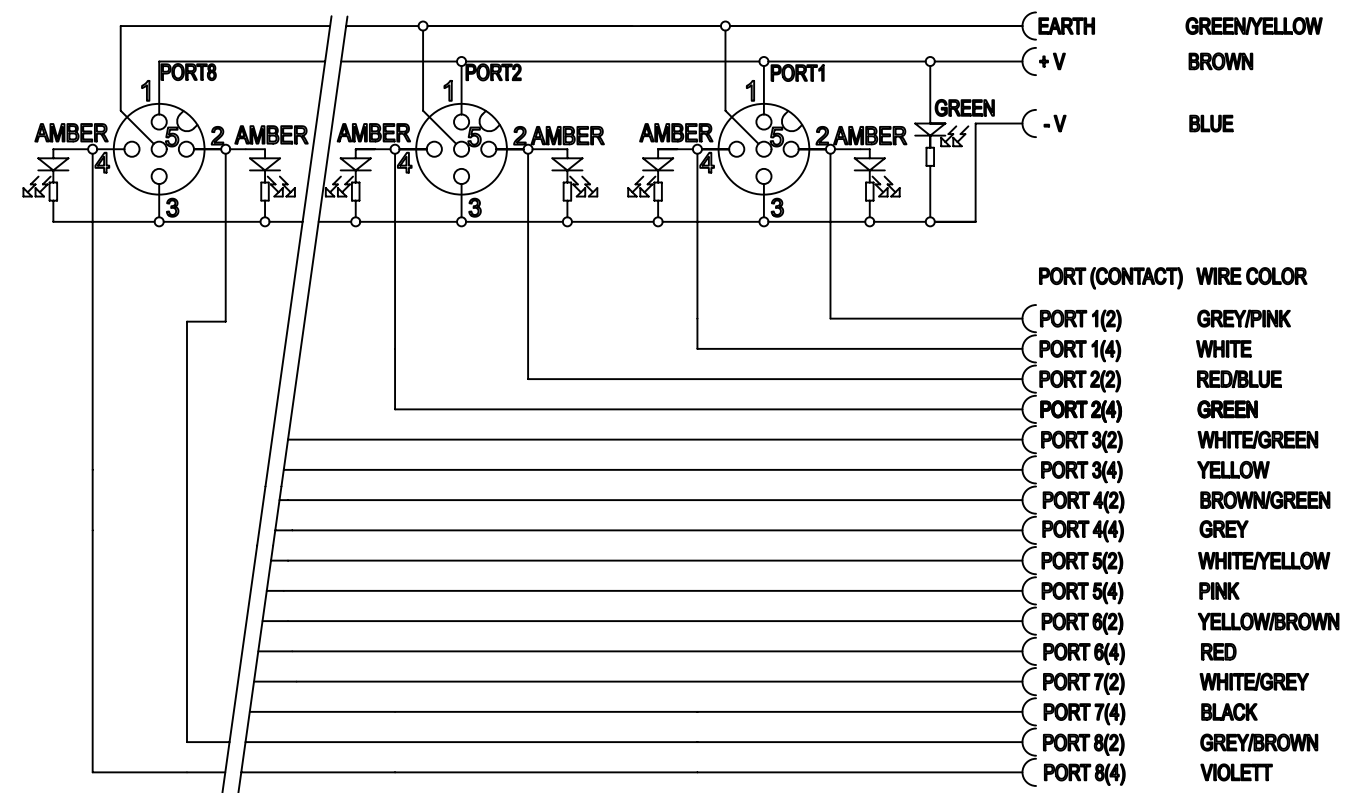
SCALE 1:2

SYMBOLS	THIS DRAWING CONTAINS INFORMATION THAT IS PROPRIETARY TO MOLEX ELECTRONIC TECHNOLOGIES, LLC AND SHOULD NOT BE USED WITHOUT WRITTEN PERMISSION		CURRENT REV DESC: LASER PRINT UPDATE			molex		
	DIMENSION UNITS	SCALE	MPIS M12 PNP NOS 5P 8PT AC FE STR XM STA DUAL					
▽ = 0	mm		EC NO: 606042			PRODUCT CUSTOMER DRAWING		
▽ = 0	GENERAL TOLERANCES (UNLESS SPECIFIED)		DRWN: SSM 2018/08/30			DOCUMENT NUMBER		
▽ = 0	ANGULAR TOL ± °		CHK'D: RSILLER 2018/10/18			1202480046		
▽ = 0	4 PLACES ±		APPR: RSILLER 2018/10/18			DOC TYPE DOC PART REVISION		
▽ = 0	3 PLACES ±		INITIAL REVISION:			PSD 000 B		
▽ = 0	2 PLACES ±		DRWN: AAHLERS 2015/04/01			MATERIAL NUMBER		
▽ = 0	1 PLACE ±		APPR: RSILLER 2015/05/20			CUSTOMER		
▽ = 0	0 PLACES ± 0.25		DRAFT WHERE APPLICABLE MUST REMAIN WITHIN DIMENSIONS			SEE TABLE 1		
▽ = 0			THIRD ANGLE PROJECTION			SHEET NUMBER		
▽ = 0			DRAWING			GENERAL MARKET		
▽ = 0			SERIES			1 OF 2		
▽ = 0			A3-SIZE			120248		

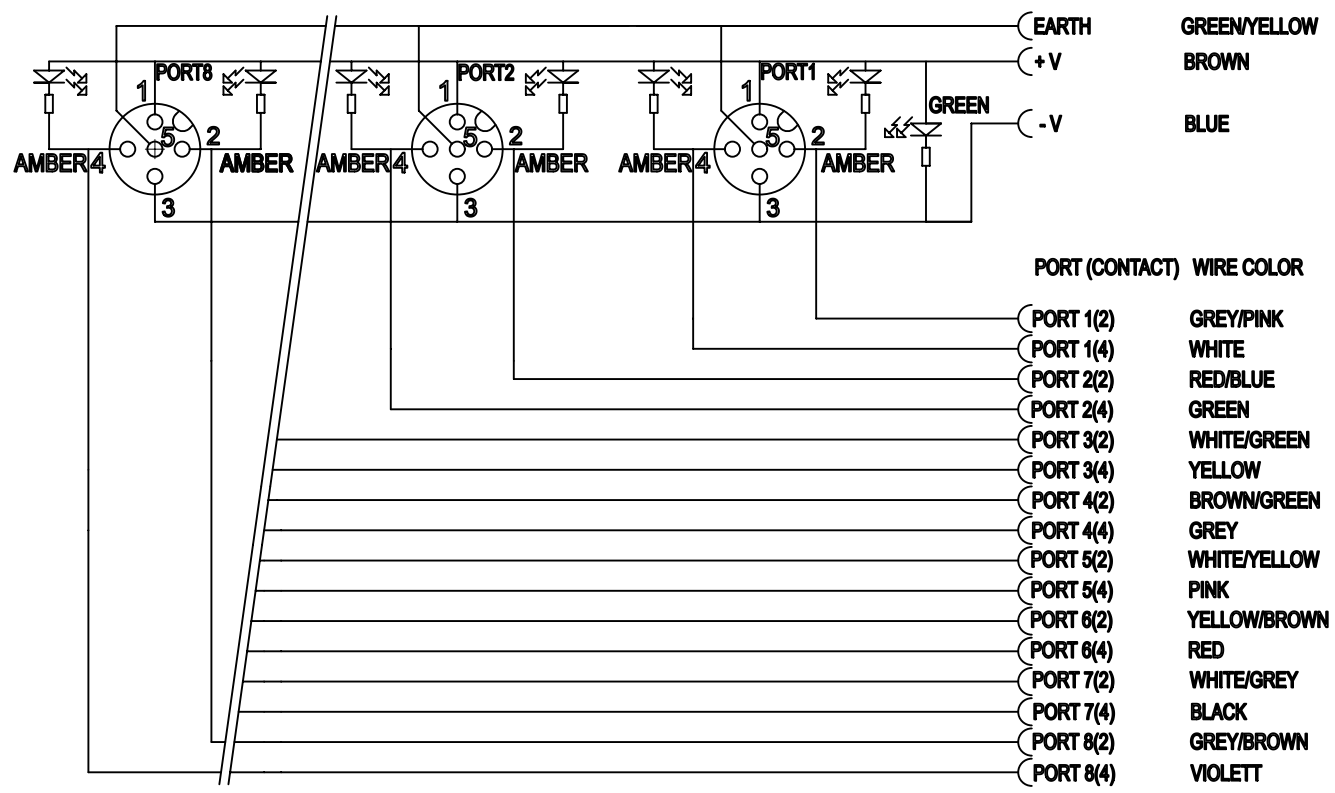
Wiring Diagram NON LED Dual



Wiring Diagram PNP Dual



Wiring Diagram NPN Dual



SYMBOLS	THIS DRAWING CONTAINS INFORMATION THAT IS PROPRIETARY TO MOLEX ELECTRONIC TECHNOLOGIES, LLC AND SHOULD NOT BE USED WITHOUT WRITTEN PERMISSION		CURRENT REV DESC: LASER PRINT UPDATE		molex
	DIMENSION UNITS	SCALE			
▽ = 0	mm				PRODUCT CUSTOMER DRAWING
▽ = 0	GENERAL TOLERANCES (UNLESS SPECIFIED)				
▽ = 0	ANGULAR TOL	± °			DOCUMENT NUMBER
▽ = 0	4 PLACES	±			
▽ = 0	3 PLACES	±			DOC TYPE
▽ = 0	2 PLACES	±			
▽ = 0	1 PLACE	±			DOC PART
▽ = 0	0 PLACES	± 0.25			
■ = 0	DRAFT WHERE APPLICABLE MUST REMAIN WITHIN DIMENSIONS	THIRD ANGLE PROJECTION	DRAWING	SERIES	REVISION
▽ = 0			A3-SIZE	120248	1202480046
		MATERIAL NUMBER	CUSTOMER	SHEET NUMBER	
		SEE TABLE 1	GENERAL MARKET	2 OF 2	