

Slide Beam2424-072

SKU: 60814 Weight: 44.00 Gram

What Is Slide Beam2424-072?

Slide Beam2424-072 is a frequently-used mechanical part of Makeblock platform, and also compatibles with most Makeblock mechanical components. There are various mounting holes and a threaded slot on the plane of this beam which allow you to assemble on other structures easily

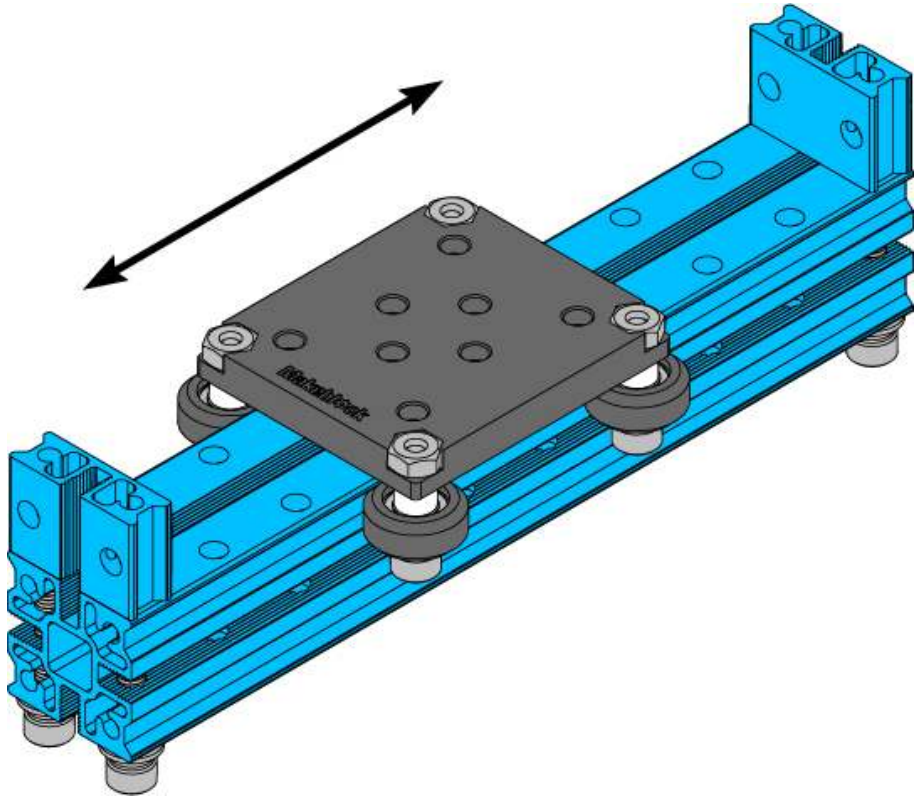
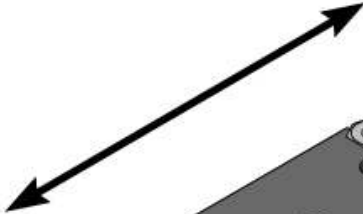
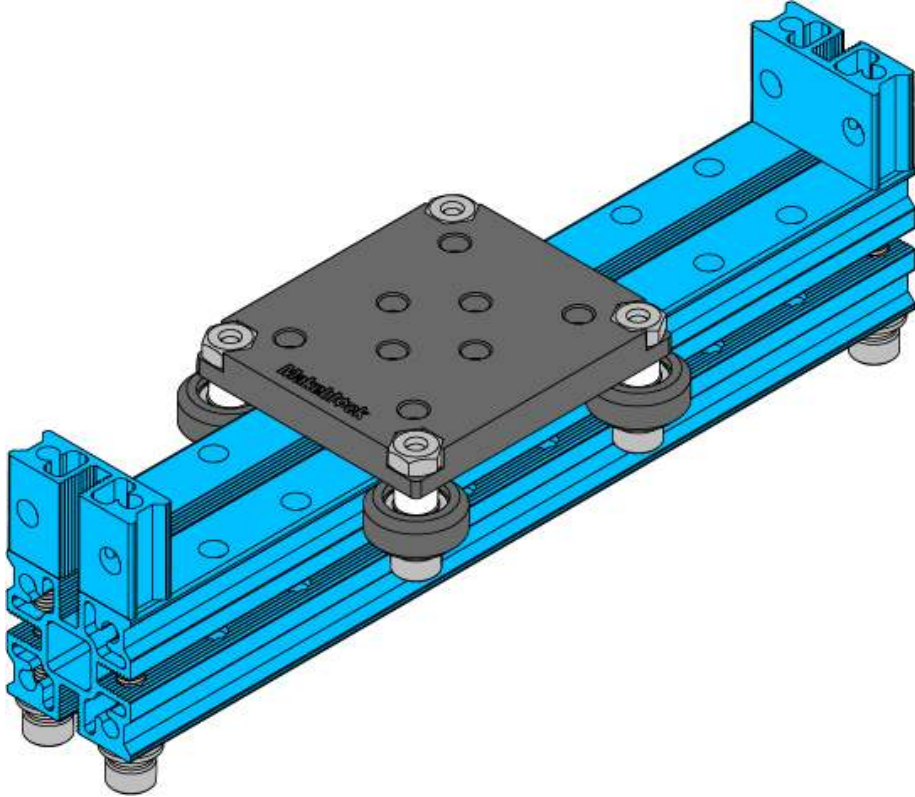
Features

? Made from heavy-duty 6061 aluminum extrusion and has a nice appearance. With holes on 16mm increments, and M4 threaded holes on both ends.

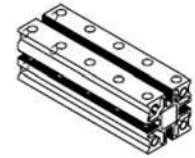
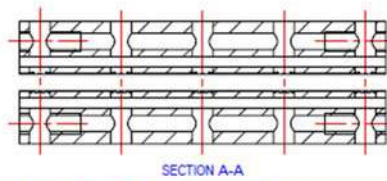
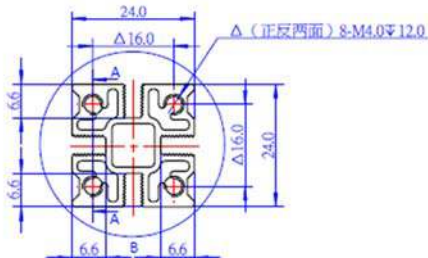
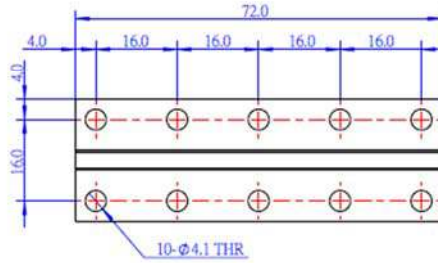
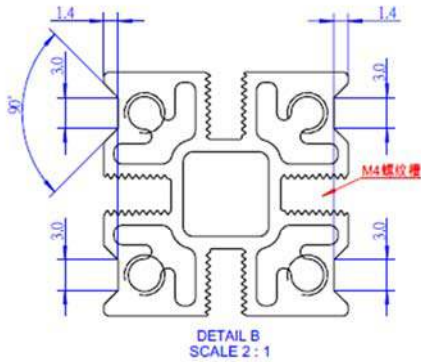
? High wear resistance, strong rigidity and high intensity.

? Cross-section area: 24*24mm, length: 72mm.

DEMO



Size Charts



加工数据	
工艺	工艺要求

Specifications

SKU	60814
Product Name	Slide Beam2424-072
Length	72mm
Cross-section Area	24x24x72mm
Gross Weight	44g(1.55oz)
Package Content (Quantity x Part Name)	1 x Slide Beam2424-072