

THIS DRAWING IS UNPUBLISHED.

RELEASED FOR PUBLICATION

© COPYRIGHT

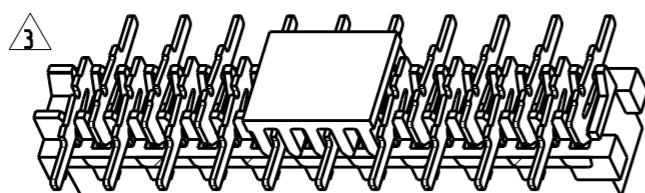
ALL RIGHTS RESERVED.

LOC
H

DIST
-

REVISIONS

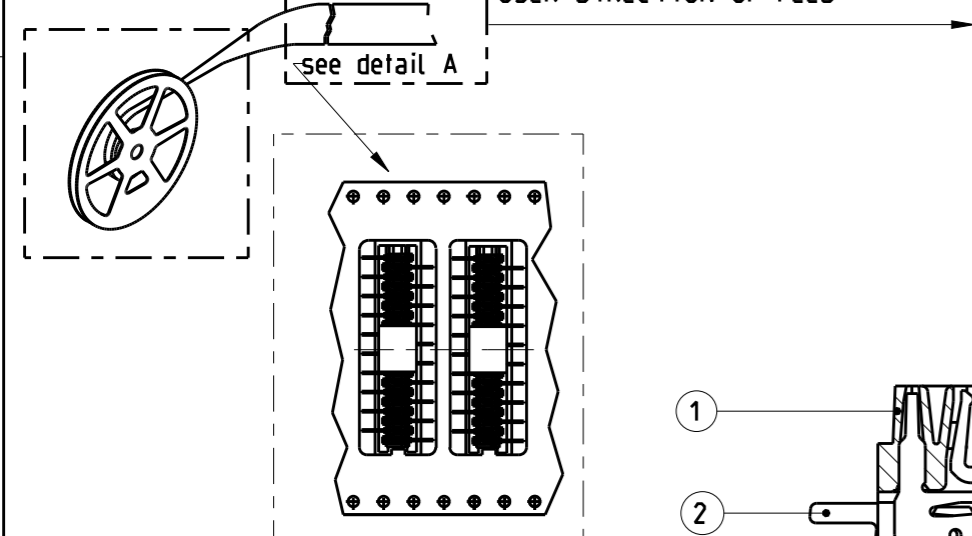
P	LTR	DESCRIPTION	DATE	DWN	APVD
F4	8-188431-6	ACTIVATED	20AUG2014	NV	JK



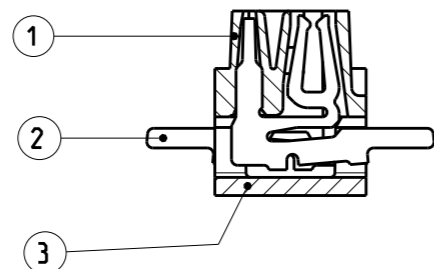
SCALE 3:1

PACKAGING/REELING DIRECTION

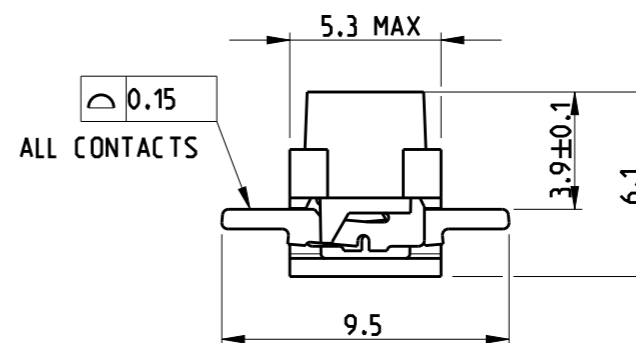
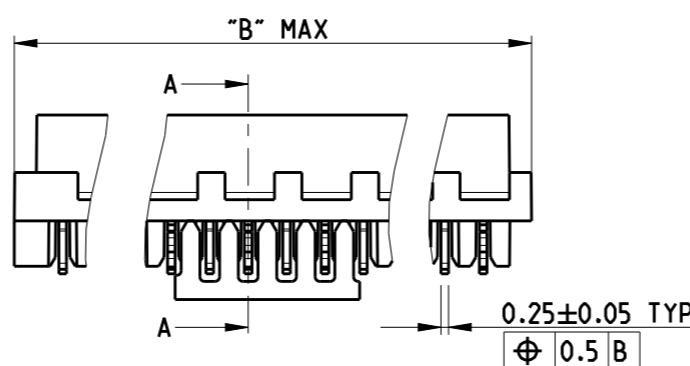
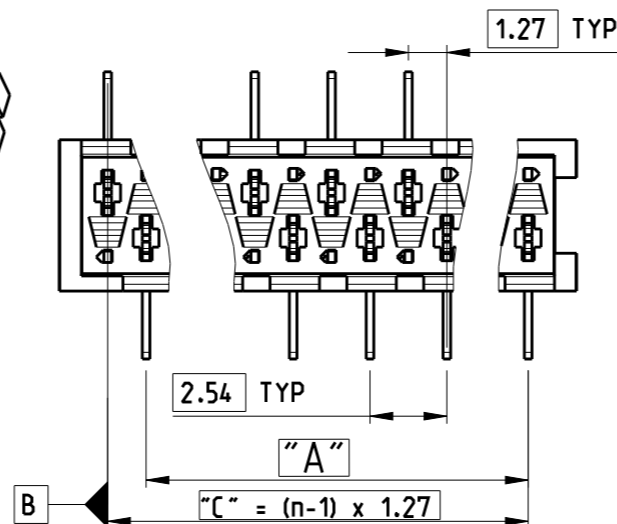
USER DIRECTION OF FEED



DETAIL A
SCALE 1:1



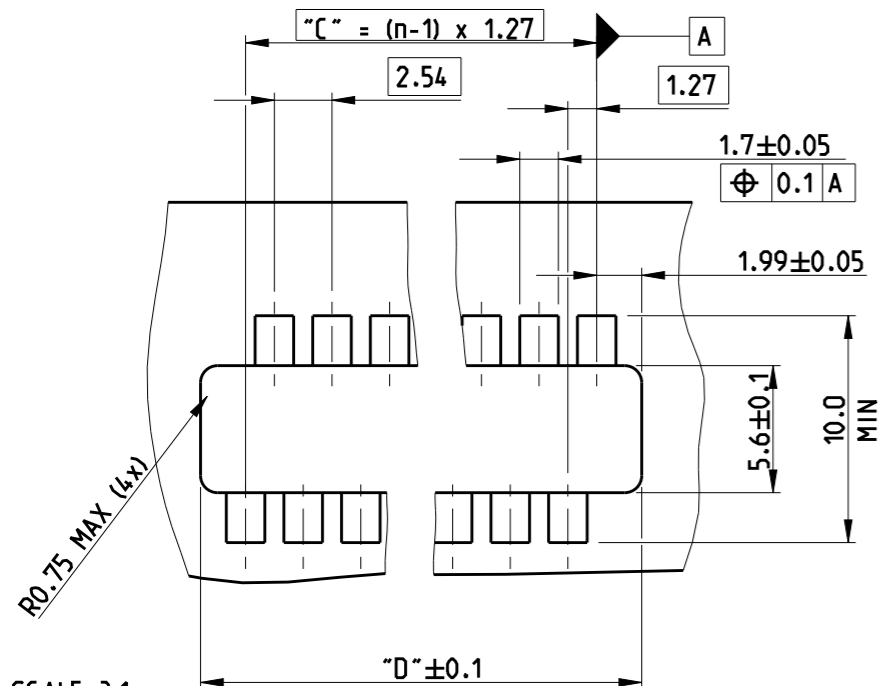
SECTION A-A



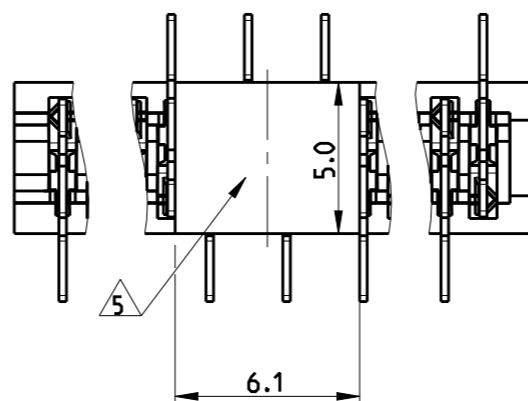
NOTES:

- 1 PACKAGING ACCORDING EIA-481/ DIN IEC 286
- 2 QUANTITY PER REEL 1200 PCS. REEL DIA. 380 MM
- 3 PN 9-188431-0 (20 POSITIONS) AS DRAWN.
- 4 3.0 - 5.0 µm TIN OVER 0.5µm NICKEL PLATING.
- 5 PICK & PLACE AREA.

RECOMMENDED PC-BOARD PAD LAYOUT



SCALE 3:1



REMARK	PARTNUMBER	POS	"A"	"B" MAX	"C"	"D"	TAPE WIDTH(mm)
TOOLED	7-188431-4	4	2.54	7.1	3.81	7.78	24
TOOLED	7-188431-6	6	5.08	9.7	6.35	10.32	24
TOOLED	7-188431-8	8	7.62	12.2	8.89	12.86	24
TOOLED	8-188431-0	10	10.16	14.7	11.43	15.4	24
NOT YET TOOLED	8-188431-2	12	12.7	17.3	13.97	17.94	32
TOOLED	8-188431-4	14	15.24	19.8	16.51	20.48	32
TOOLED	8-188431-6	16	17.78	22.4	19.05	23.02	44
NOT YET TOOLED	8-188431-8	18	20.32	24.9	21.59	25.56	44
TOOLED	9-188431-0	20	22.86	27.5	24.13	28.10	44

ITEM NO.	COMPONENT DESCRIPTION	MATERIAL	FINISH
3	PICK & PLACE FEATURE	G.F POLYAMIDE. COLOR:BLACK	
2	FEMALE CONTACT	PHOSPHOR BRONZE	4
1	FEMALE HOUSING	G.F POLYAMIDE. COLOR:RED	

THIS DRAWING IS A CONTROLLED DOCUMENT.

DIMENSIONS:	TOLERANCES UNLESS OTHERWISE SPECIFIED:
mm	
0 PLC	± -
1 PLC	± 0.2
2 PLC	± -
3 PLC	± -
4 PLC	± -
ANGLES	± -
MATERIAL	SEE TABLE
FINISH	SEE TABLE

DWN	M.Gosselink	25/09/00
CHK	M.Gosselink	-
APVD	-	-
PRODUCT SPEC	108-19052	
APPLICATION SPEC	114-13318	
WEIGHT	-	

STE TE Connectivity

NAME: MICRO MATCH, FEMALE BOTTOM ENTRY SMD INBOARD CONNECTOR

SIZE	CAGE CODE	DRAWING NO	RESTRICTED TO
A3	C-	188431	

CUSTOMER DRAWING SCALE 4:1 SHEET 1 OF 1 REV F4