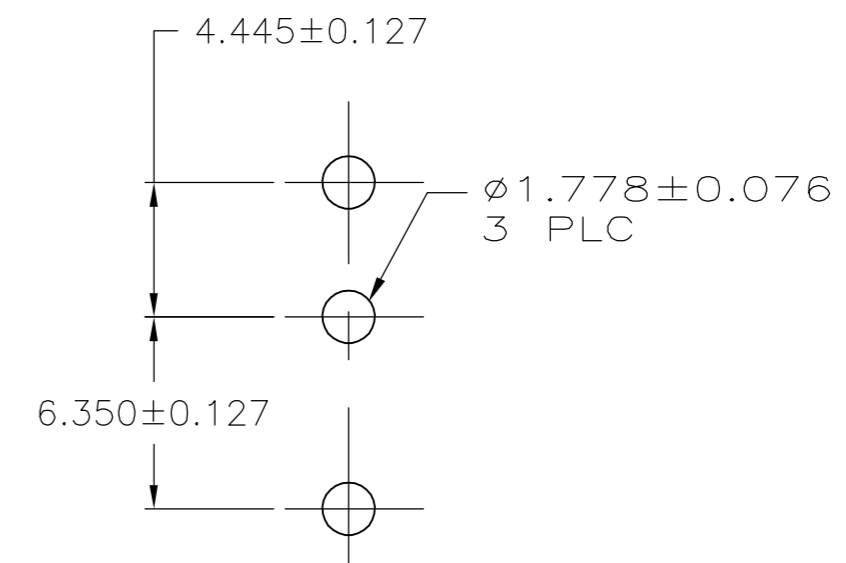
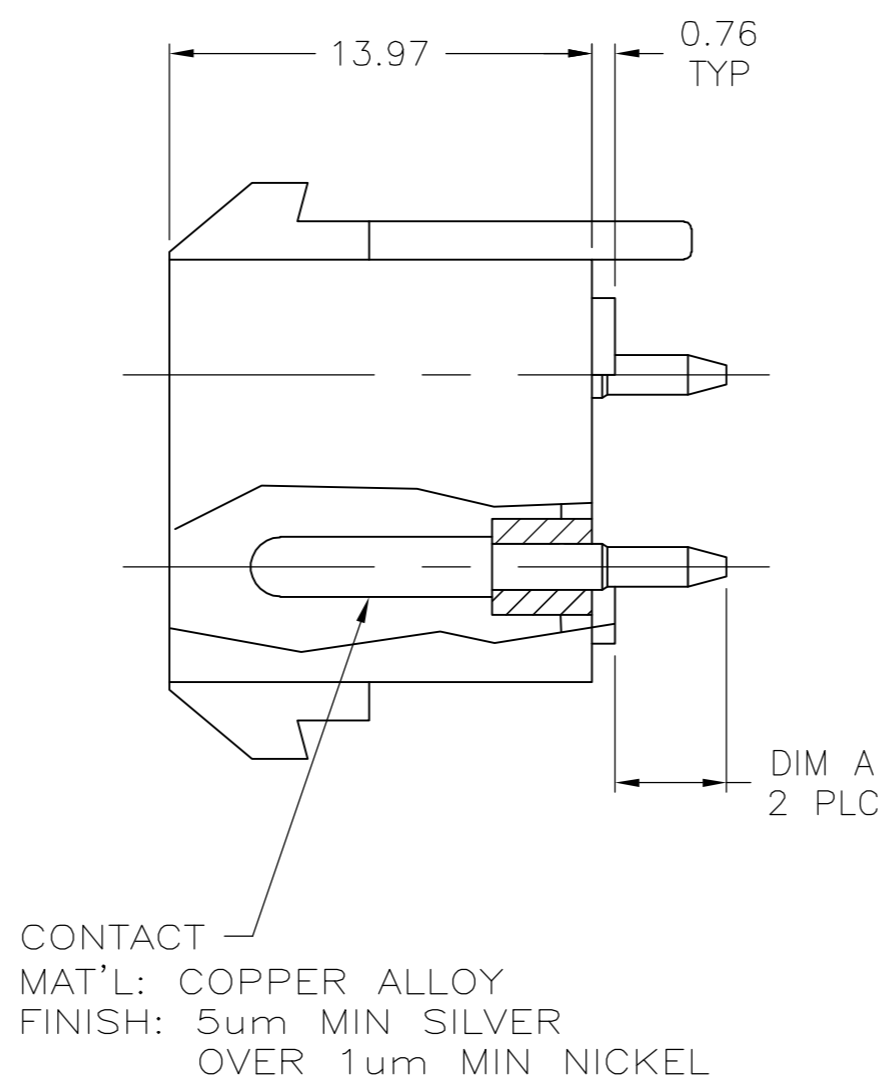
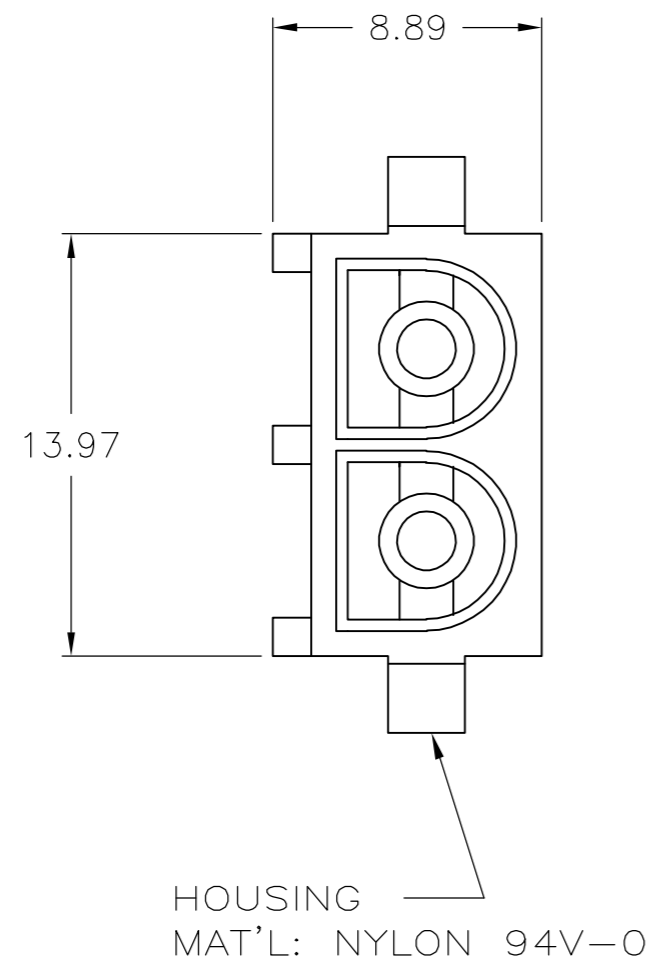


THIS DRAWING IS UNPUBLISHED. RELEASED FOR PUBLICATION
 © COPYRIGHT BY TYCO ELECTRONICS CORPORATION. ALL RIGHTS RESERVED.

LOC		DIST		REVISIONS			
P	LTR	DESCRIPTION		DATE	DWN	APVD	
FT	0	C		REVISED PER ECO-05-15915	12/14/05	SS	GS

NOTES:

- MATES WITH MATE-N-LOK II PLUG CONNECTOR USING PN 194211-1 OR 194213-1 SOCKET CONTACTS.
- ALL DIMENSIONS ARE REFERENCE ONLY EXCEPT PC LAYOUT.
- PIN CONTACTS ARE LUBRICATED.



RECOMMENDED LAYOUT FOR
1.57 THICK PC BOARD

4.32	194269-2
3.68	194269-1
DIM A	PART NO.

THIS DRAWING IS A CONTROLLED DOCUMENT.		DWN	25/FEB/98	tyco Tyco Electronics Corporation	
DIMENSIONS: mm		CHK	R N POLK	Harrisburg, PA 17105-3608	
TOLERANCES UNLESS OTHERWISE SPECIFIED:		APVD	-	NAME	
0 PLC ± -		PRODUCT SPEC	-	HIGH CURRENT VERT. PIN HEADER	
1 PLC ± -		APPLICATION SPEC	-	ASSY, MATE-N-LOK II,	
2 PLC ± -		WEIGHT	-	SIZE	RESTRICTED TO
3 PLC ± -		CUSTOMER DRAWING	-	A2	00779
4 PLC ± -		SCALE	4:1	CAGE CODE	C=194269
ANGLES ± -		SHEET	1 of 1	DRAWING NO	REV
FINISH		REV	C	DRAWING NO	