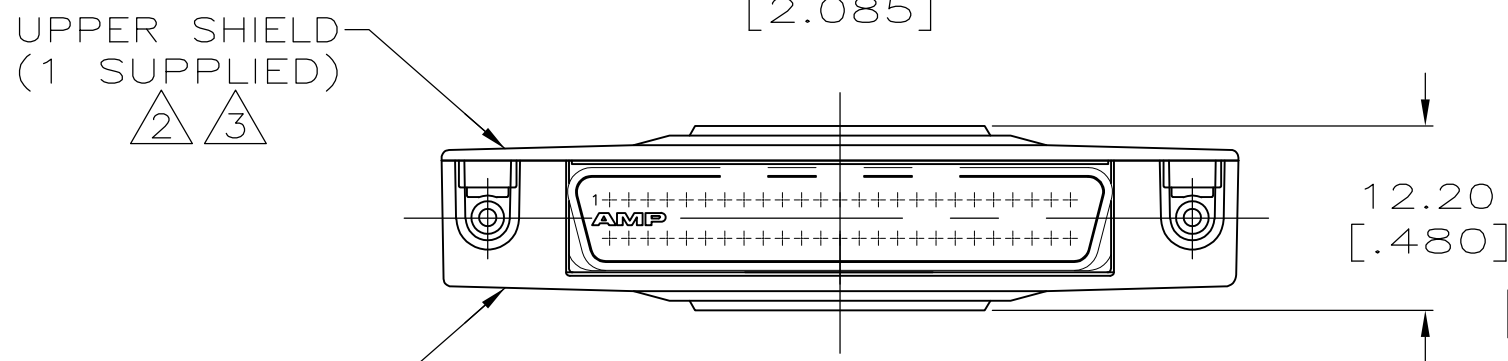
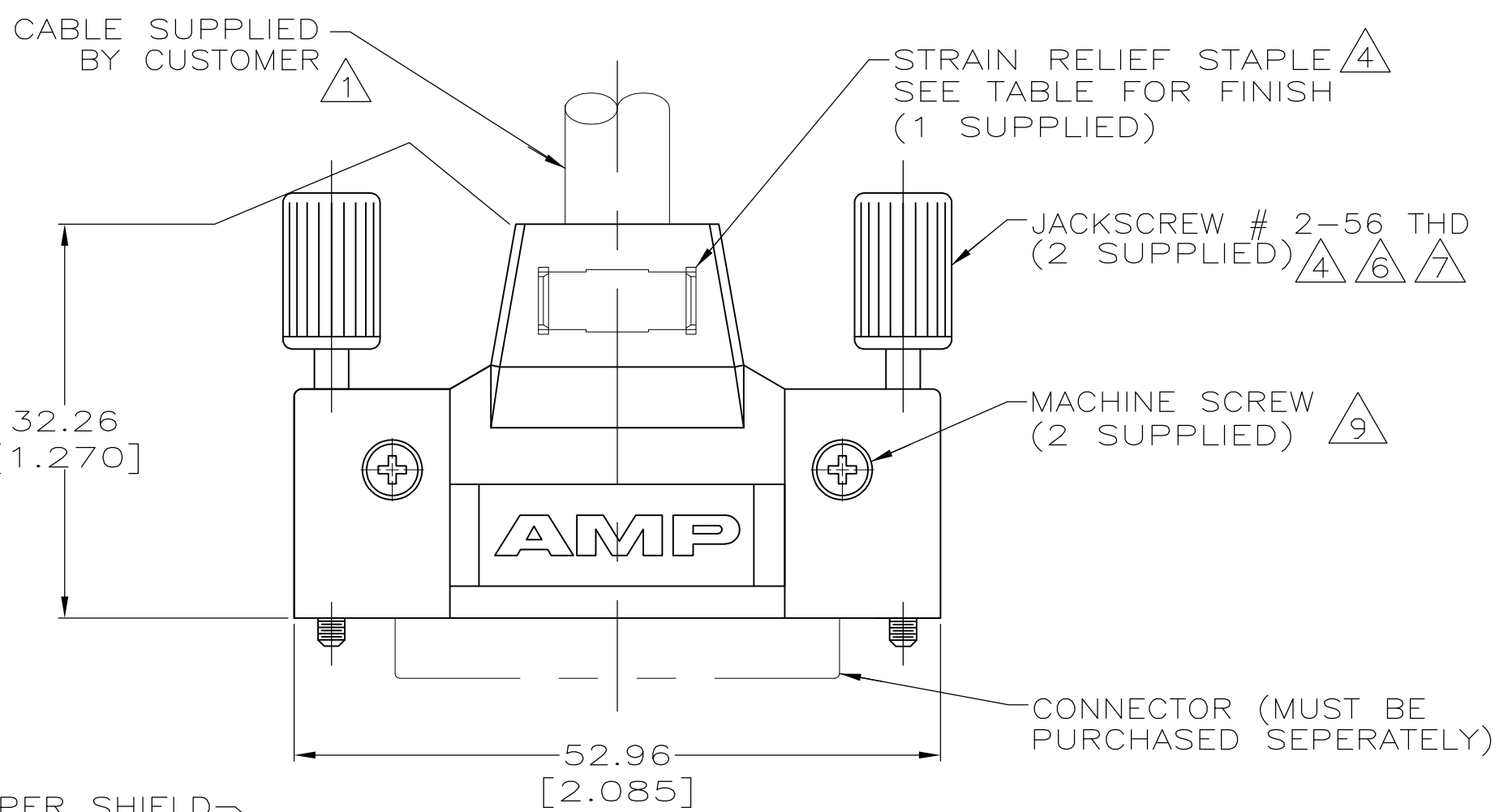


THIS DRAWING IS UNPUBLISHED. RELEASED FOR PUBLICATION
 © COPYRIGHT - By - ALL RIGHTS RESERVED.

LOC	DIST	REVISIONS					
GP	00	P	LTR	DESCRIPTION	DATE	DWN	APVD
		F		REVISED PER ECO-11-012218	14JUL2011	CJV	SLB



- 1 10.16 [.400] MAX CABLE DIA.
- 2 ZINC PER ASTM AG40A, UNS Z33521.
- 3 NICKEL PLATED.
- 4 STEEL PER ASTM A109.
- 5 BRIGHT TIN-LEAD PLATED.
- 6 POLYPROPYLENE OR NYLON, UL94V-0, BLACK.
- 7 BLACK ZINC PLATED.
- 8 BRIGHT TIN PLATED.
- 9 STAINLESS STEEL.

SUPERSEDED BY 5749080-1	KIT	8	749080-3
OBSOLETE	BULK	5	749080-2
	KIT	5	749080-1
	PACKAGING	STAPLE	PART NO

THIS DRAWING IS A CONTROLLED DOCUMENT.		DWN JACK ROOT 11-23-88	STE TE Connectivity	
		CHK M.WATERS 12-1-88		
DIMENSIONS: [mm] INCHES		APVD -	NAME	
TOLERANCES UNLESS OTHERWISE SPECIFIED:		PRODUCT SPEC -	BACKSHELLS WITH MALE JACKSCREWS, 50 POSITION AMPLIMITE .050 Series	
0 PLC ± -		APPLICATION SPEC -	RESTRICTED TO	
1 PLC ± -		WEIGHT -	SIZE A3	CAGE CODE 00779
2 PLC ± 0.38 [.015]			DRAWING NO C-749080	
3 PLC ± -			SCALE 2:1	SHEET 1 OF 1
4 PLC ± -			REV F	
ANGLES ± -				
FINISH -				
MATERIAL -				
		CUSTOMER DRAWING		