
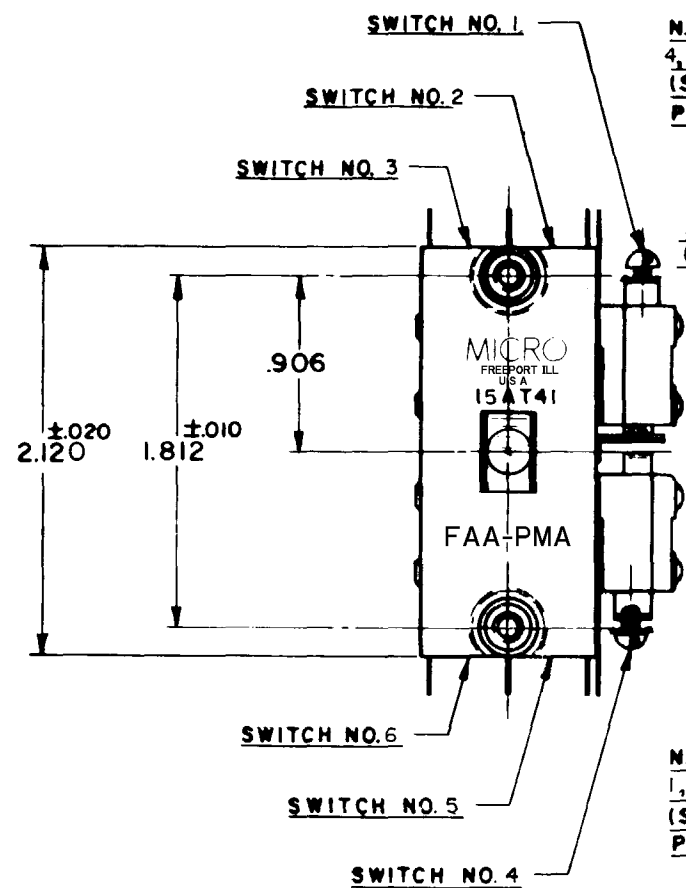
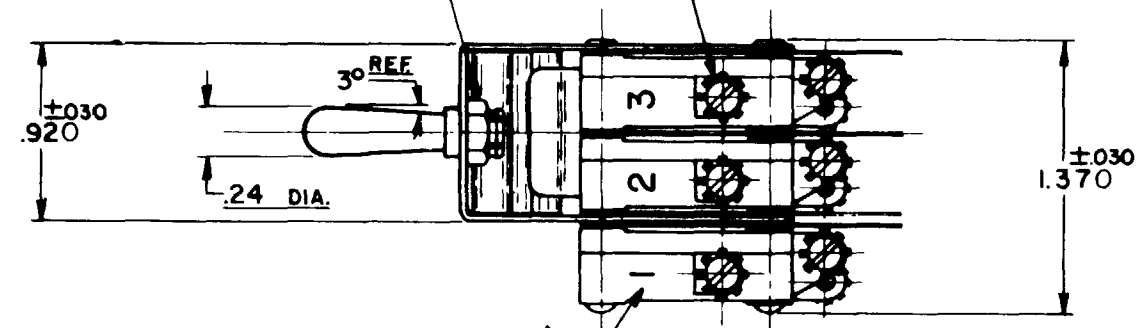


HONEYWELL
PART NUMBER
15AT41
FAA - PMA 

REV	DOCUMENT	CHANGED BY	CHECK
7	0007403	KR 24AUG04	AK

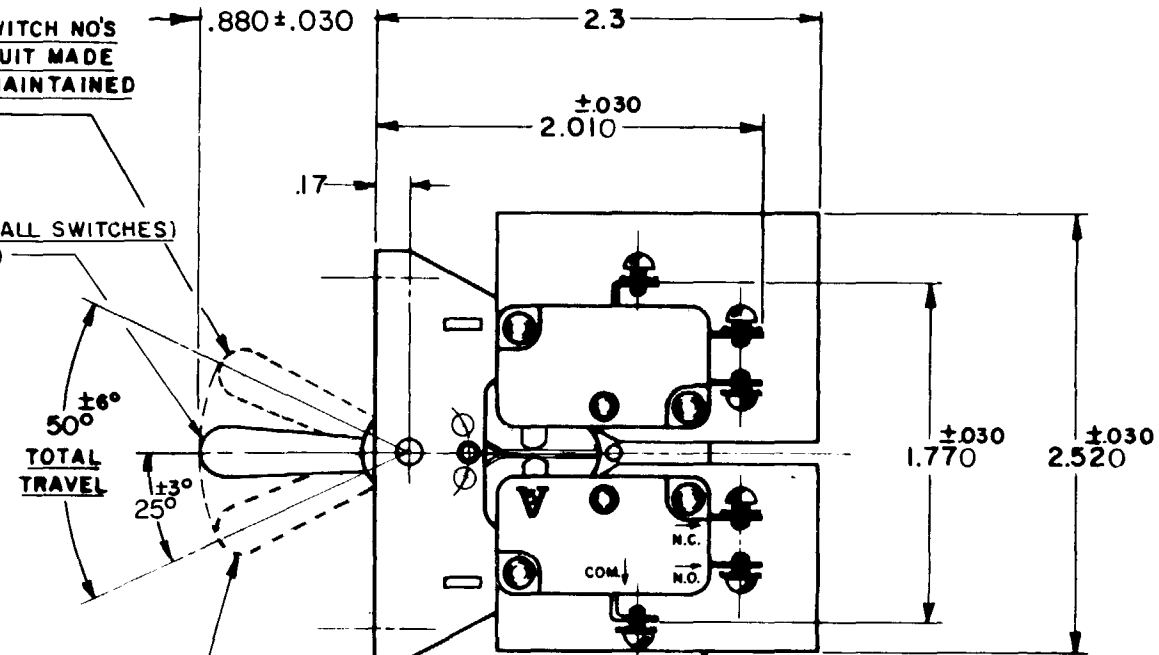
6-32 UNC (LOCKING TYPE NUT) (2)
4-40 UNCX .125 ROUND HEAD TERMINAL SCREWS AND LOCKWASHERS.



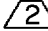

N.O. TO C. CIRCUIT MADE (SWITCH NO'S 4, 5, AND 6) N.C. TO C. CIRCUIT MADE (SWITCH NO'S 1, 2 AND 3) (MAINTAINED POSITION).

NC TO CCIRCUIT MADE (ALL SWITCHES) (MAINTAINED POSITIONS)


N.O. TO C. CIRCUIT MADE (SWITCH NO'S 1, 2 AND 3) N.C. TO C. CIRCUIT MADE (SWITCH NO'S 4, 5 AND 6) (MAINTAINED POSITION).



FLEXIBLE INSULATORS.

- NOTES
 1 - UNIT INCLUDES CATALOG LISTING V3-201 BASIC SWITCH (6)
 BASIC SWITCH NUMBER MARKED ON EACH BASIC SWITCH
 FOR MANUFACTURING DETAIL SEE ASSEMBLY DRAWING 15AT41 FOR FAA-PMA

ELECTRICAL DATA	
CONTACT ARRANGEMENT	S. P. D. T. (6)
15 A - 1/3 HP - 125 OR 250 VAC 1/2 A - 125 VDC; 1/4 A - 250 VDC	

DESIGN UNITS: INCH	
TOLERANCES UNLESS NOTED:	
NO PLACE	X ±
ONE PLACE	.X ± 0.030
TWO PLACE	.XX ± 0.015
THREE PLACE	.XXX ± 0.005
FOUR PLACE	.XXXX ±
ANGLES	±
THIRD ANGLE PROJECTION	
	

DRAWN	MBF	19AUG63
CHECK	DAW	20AUG63
THIS DRAWING COVERS A PROPRIETARY ITEM AND IS THE PROPERTY OF HONEYWELL. THIS DRAWING IS NOT TO BE COPIED OR USED WITHOUT THE PERMISSION OF HONEYWELL.		
INTERPRET PER ASME Y14.5M-1994 OTHER HONEYWELL ENGINEERING STANDARDS MAY APPLY		
RASTER		

Honeywell			
TITLE ASSEMBLY - TOGGLE SWITCH			
SIZE	TYPE	DRAWING NAME	REV
B	I	15AT41	7
SCALE	1:1	SHEET	1 OF 1