

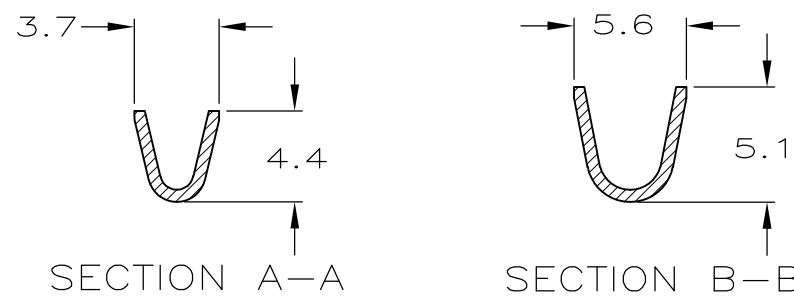
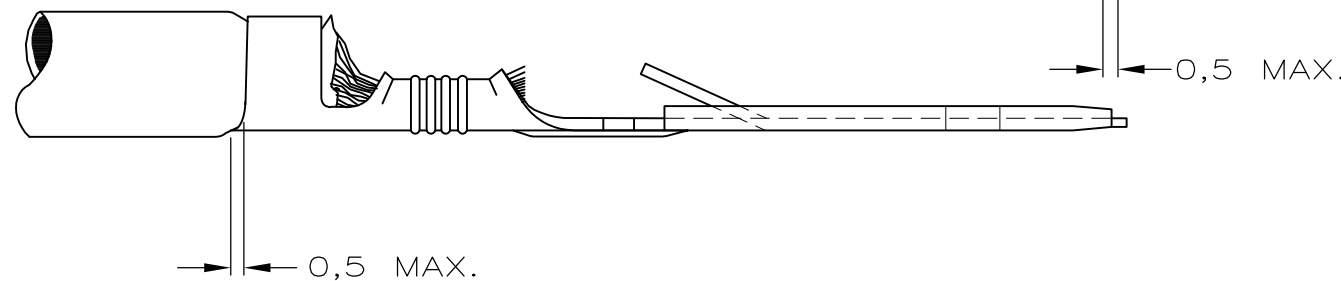
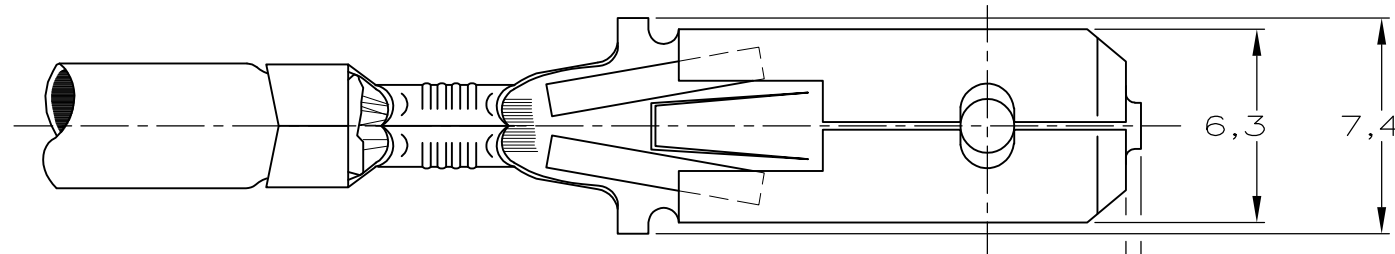
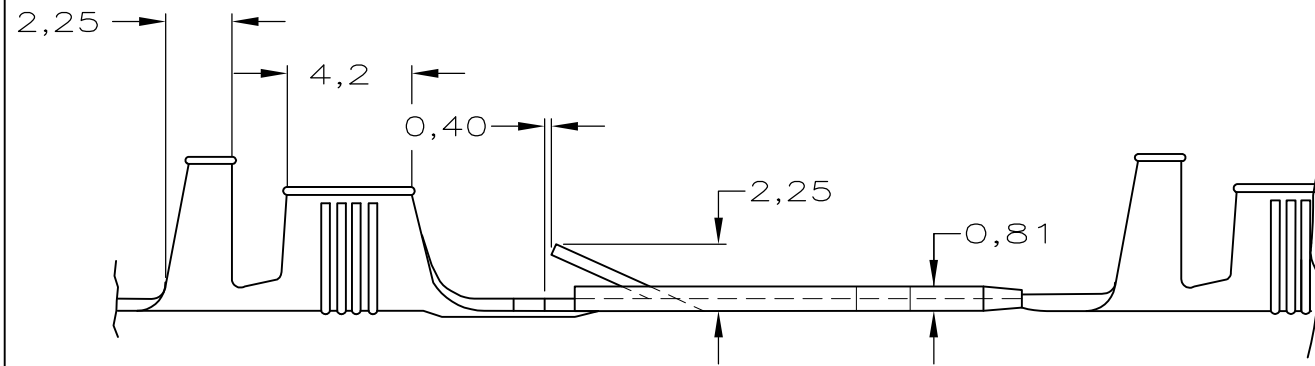
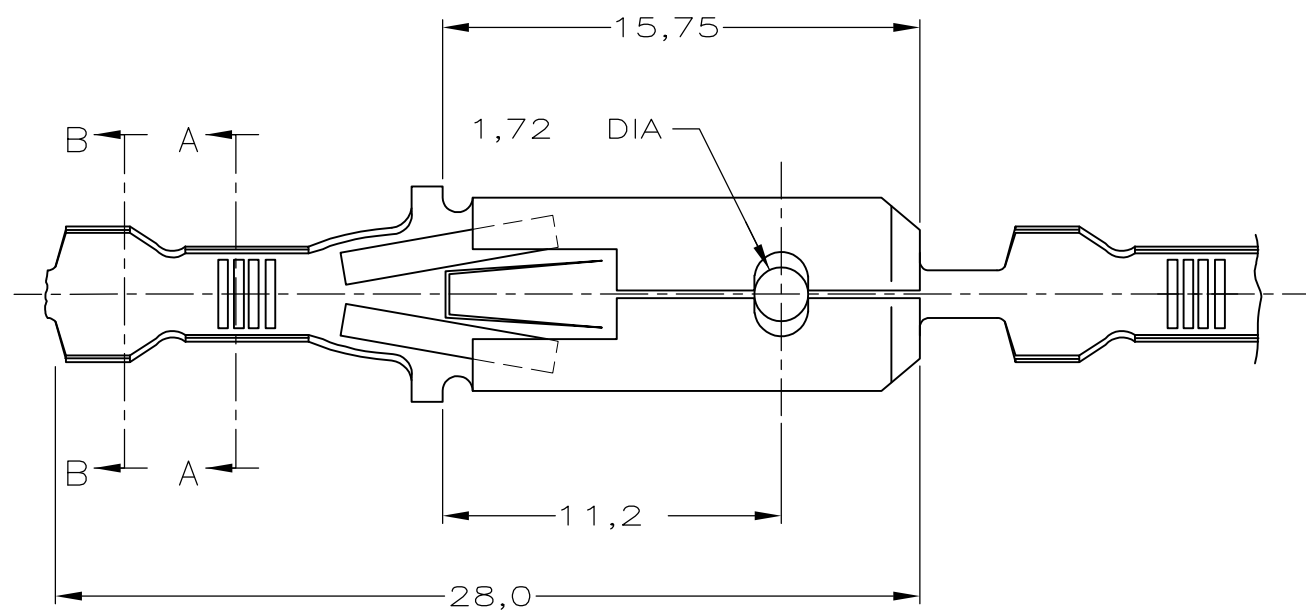
DO NOT SCALE
DIMENSIONS IN mm

METRIC

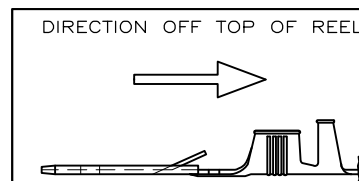
THIRD ANGLE
PROJECTION

NOTES:

- △1 FOR USE ON MINIATURE APPLICATORS (LEFT-RIGHT FEED)
- △2 OBSOLETE PARTS: OBSOLETE CIS STREAMLINING PER D.RENAUD/D.SINISI



WIRE RANGE :
2,1-3,3 mm²
INSULATION RANGE :
3,0-4,3mm DIA.



PLATING	PLATING	MATERIAL	PARTNUMBER
-	-	-	-
△1	TINPLATED	BRASS	160786-5
△1	-	BRASS	160786-4
△1	SILVERPLATED	Ph BRONZE	160786-3
△1	TINPLATED	Ph BRONZE	160786-2
△1	-	Ph BRONZE	160786-1

CUSTOMER DRAWING					FOR REFERENCE ONLY WILL NOT BE UPDATED	
© COPYRIGHT 19 - BY AMP HOLLAND B.V.					ALL INTERNATIONAL RIGHTS RESERVED. AMP PRODUCTS MAY BE COVERED BY U.S. AND FOREIGN AND/OR PATENTS PENDING.	
THIS DRAWING IS UNPUBLISHED					RELEASED FOR PUBLICATION _____, 19____	
AMP			AMP HOLLAND B.V. 's-Hertogenbosch, The Netherlands.			
NAME .250 SRS FASTIN-FASTON TAB						
C2	ECR-17-012072	DL	TD	29-08-17		
C1	ECO-09-024717	KK	AEG	05-11-09		
C	H-9671	JvL	AB	16-10-95		
LTR.	REVISION RECORD	DR.	CHK.	DATE		
DR.:	J.v.LIEMPT.	CHK.:	A.BIJNEN.	APP.:	M.v.DRIEL	DWG.No.
DATE:	16 OCT 1995	DATE:	-	DATE:	-	160786
			REV.LTR.	C2	SHEET	1 OF 1
					A3	