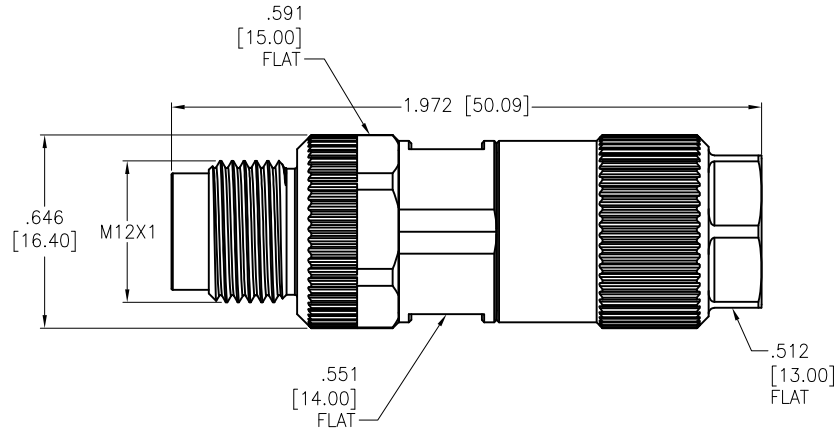
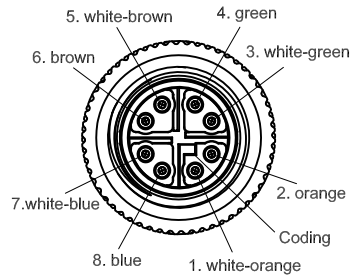


APPROVED: _____
 DATE: _____ TITLE: _____

Rev	AWO #	Description	Date	Appr
-		RELEASED	3/9/18	
A		UPDATED SPEC.	03/18/19	TW/CK
B		UPDATED SPEC.	2/11/20	SS



SPECIFICATIONS:

Material:
 Insulator: PA66/POM, Glass reinforced
 Insulator color: Black
 Contacts: Phosphor Bronze
 Shell: Brass & Zinc Alloy & Phosphor Bronze
 Sealing: NBR
 Plating:
 10u" Gold over Nickel underplate on contact area,
 Tin over Nickel underplate on IDC area
Electrical:
 Operating voltage: 48 V per Contact
 Current rating: 0.5 A per Contact
 Contact resistance: 5 mohms max
 Insulation resistance: 100 Mohms min @ 500 VDC
 Dielectric withstanding voltage: 500 VAC for 1 minute
Mechanical:
 Cable diameter: $\phi 6.8 \sim \phi 9.0$ mm
 Temperature Rating:
 -40C to +90C
 Waterproof Rating:
 IP67
 Environmental:
 Lead free, RoHS compliant.



UNLESS OTHERWISE SPECIFIED
 ALL DIMENSIONS ARE INCHES [MM]
 TOLERANCES: EXCEPT AS NOTED

INCHES		HOLES	
.X	$\pm .10$	ϕX	$\pm .10$
.XX	$\pm .020$	ϕXX	$\pm .015$
.XXX	$\pm .015$	ϕXXX	$\pm .010$

ADAM TECH
INTERCONNECTS
 909 Rahway Avenue,
 Union, NJ 07083
 Phone: 908-687-5000
 Fax: 908-687-5710

APPROVALS		DATE
DRAWN	HR	3/9/18
CHECKED	DH	3/9/18
APPROVED		

TITLE WATERPROOF CONNECTOR, 8 PIN, M12 X-CODE, MALE, IDC TYPE, IP67		
SIZE X	PART NO. SD-MMX08-MMTDL-IX0-000	REV. B
REF: S00013T	SCALE: NTS	SHEET 1 OF 1