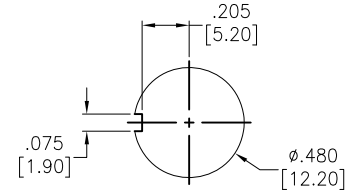
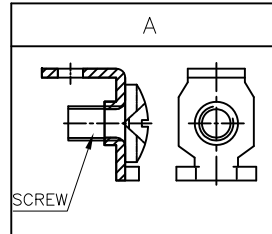
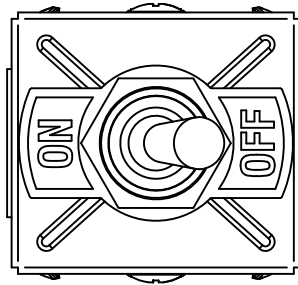


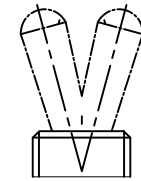
APPROVED: _____

DATE: _____ TITLE: _____

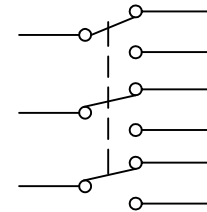
Rev	AWO #	Description	Date	Appr
-		RELEASED	8/10/21	



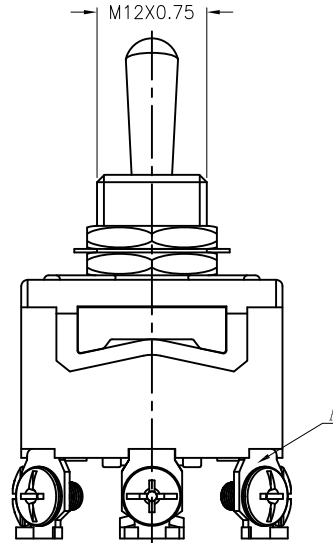
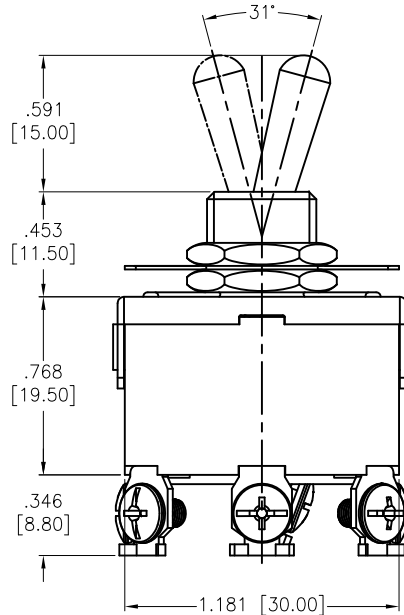
RECOMMENDED
PANEL CUT-OUT



2 WAY



CIRCUIT DIAGRAM
(3PDT) ON-ON



SPECIFICATIONS:

Material:

Body: Bakelite, Color: Black

Lever: Brass, Nickel plated

Terminal: Brass, Silver plated

Electrical:

Rating: 10A @ 250V AC

15A @ 125V AC

Contact resistance: 100 mΩ max

Insulation resistance: 100 MΩ min

Dielectric withstanding voltage: 1500V AC/5S

Electrical Life: 10,000 cycles

Temperature Rating:

Operating temperature: -25°C to +85°C

Environmental:

Lead free, RoHS compliant



UNLESS OTHERWISE SPECIFIED ALL DIMENSIONS
ARE INCHES [MM]. TOLERANCES: EXCEPT AS NOTED

INCHES		HOLES	
.X	± .10	ØX	± .10
.XX	± .020	ØXX	± .015
.XXX	± .015	ØXXX	± .010

DRAWN	WX	8/10/21
CHECKED	RC	8/10/21
APPROVED		

THIS DRAWING CONTAINS INFORMATION THAT IS PROPRIETARY
AND SHOULD NOT BE USED WITHOUT PRIOR WRITTEN
PERMISSION FROM ADAM TECH



909 Rahway Avenue,
Union, NJ 07083
Phone: 908-687-5000
Fax: 908-687-5710

TITLE
SWITCH, TOGGLE MEDIUM, 3PDT,
ON-ON, SCREW LUG

SIZE X PART NO. SW-T1-6X-D-C1-K3 REV. -

REF: - SCALE: NTS SHEET 1 OF 1