

SIGN	DATE	DESCRIPTION	APPROVER
△	11/09'13	change the electrical specification /// update the drawing	Da cheng
△			
△			

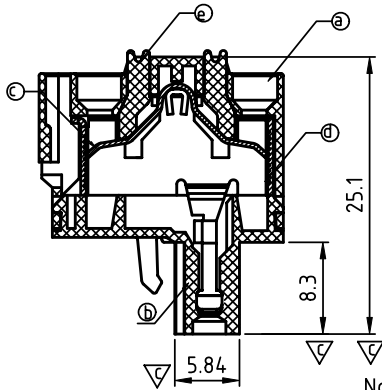
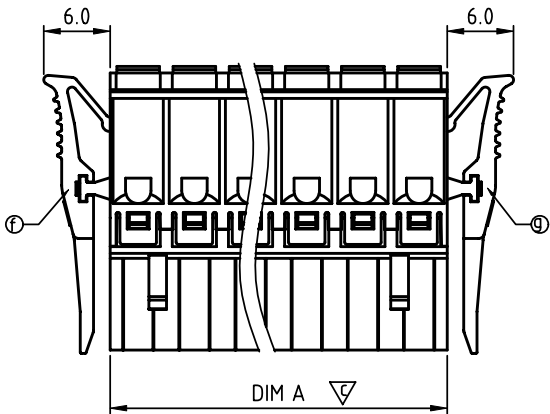
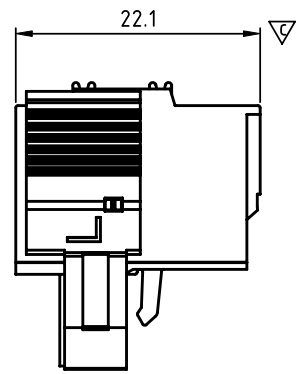
THIS IS CAD DRAWING, DO NOT REVISE MANUALLY!!!

Material

- Item a Terminal up body:Thermoplastic (UL94V-0)
- Item b Terminal down body:Thermoplastic (UL94V-0)
- Item c Wire guard:Stainless Steel
- Item d Female contact: PhBz (CuSn) Tin plated
- Item e Lever:Thermoplastic (UL94V-0) Orange(RAL2011/P)
- Item f With left latch:Thermoplastic (UL94V-0)
- Item g With right latch:Thermoplastic (UL94V-0)

Electrical

- cULus
- Voltage rating: 300VAC
 - △● Current rating: 8A
 - Solid wire: 12-26 AWG
 - Stranded wire: 12-26AWG
 - Wire strip length: 11-12mm
 - Withstanding Voltage: 1.6KV
 - Operating temperature: -40°C to +115°C
 - △● Safety Approval:
 - Critical dimension: ∇



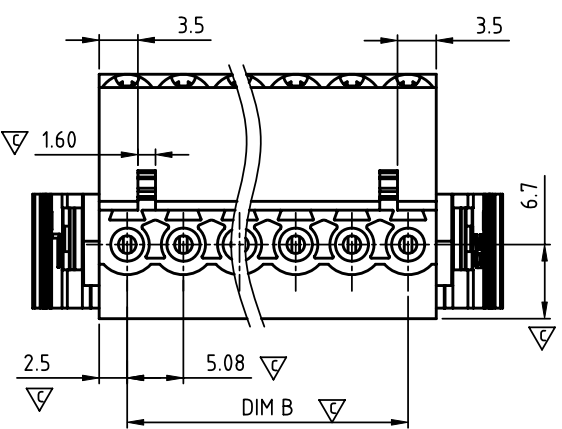
NF xx 50 x 2 xxxx G

- No. OF POLES
- 02 2 POLES
 - 03 3 POLES
 -
 - 24 24 POLES

- RoHS compliant (lead<4%)
In copper Alloy
- 0000: "@ " Logo (Standard)
000A: "ANYTEK" Mark
Any special item by customer request.
please contact sales department.
- △ Body Color
 - 0 Black (RAL9005)
 - 2 Red (RAL3001/D)
 - 3 Orange(RAL2011/P)
 - 4 Yellow(RAL1018/A)
 - 5 Green(RAL6018/T)
 - 6 Blue (RAL5015/A)
 - 8 Grey(RAL7035/D)
 - 9 White(RAL1102)
 - C Green(RAL6018/U)

N = Number of poles
Dim A=Nx5.08
Dim B=(N-1)x5.08

Poles	Dim A&B
2P-4P	±0.15
5P-8P	±0.20
9P-12P	±0.25
13P-15P	±0.30
16P-18P	±0.35
19P-24P	±0.40



ANYTEK

CUSTOMER COPY

ALL RIGHTS RESERVED. REPRODUCTION OR ISSUE TO THRD PARTIES IN ANY FORM WHATEVER IS NOT PERMITTED WITHOUT WRITTEN AUTHORITY FROM THE PROPRIETOR. PROPERTY OF ANYTEK TECHNOLOGY CO., LTD

TITLE		NF 5.08 Series With latch type		
PART NO.	NFxx50x2xxxxG	DWG NO.	8NF0003	
APPROVED	CHECKED	DESIGNED	DRAWN	CUST NO.
		Da cheng 2013.11.16	Da cheng 2013.11.16	
SHEET: 01/01		UNIT: mm	SCALE: NONE	Tolerance
		REV.: C		X ±0.50
				X.X ±0.30
				X.XX ±0.10
				X° ±1°