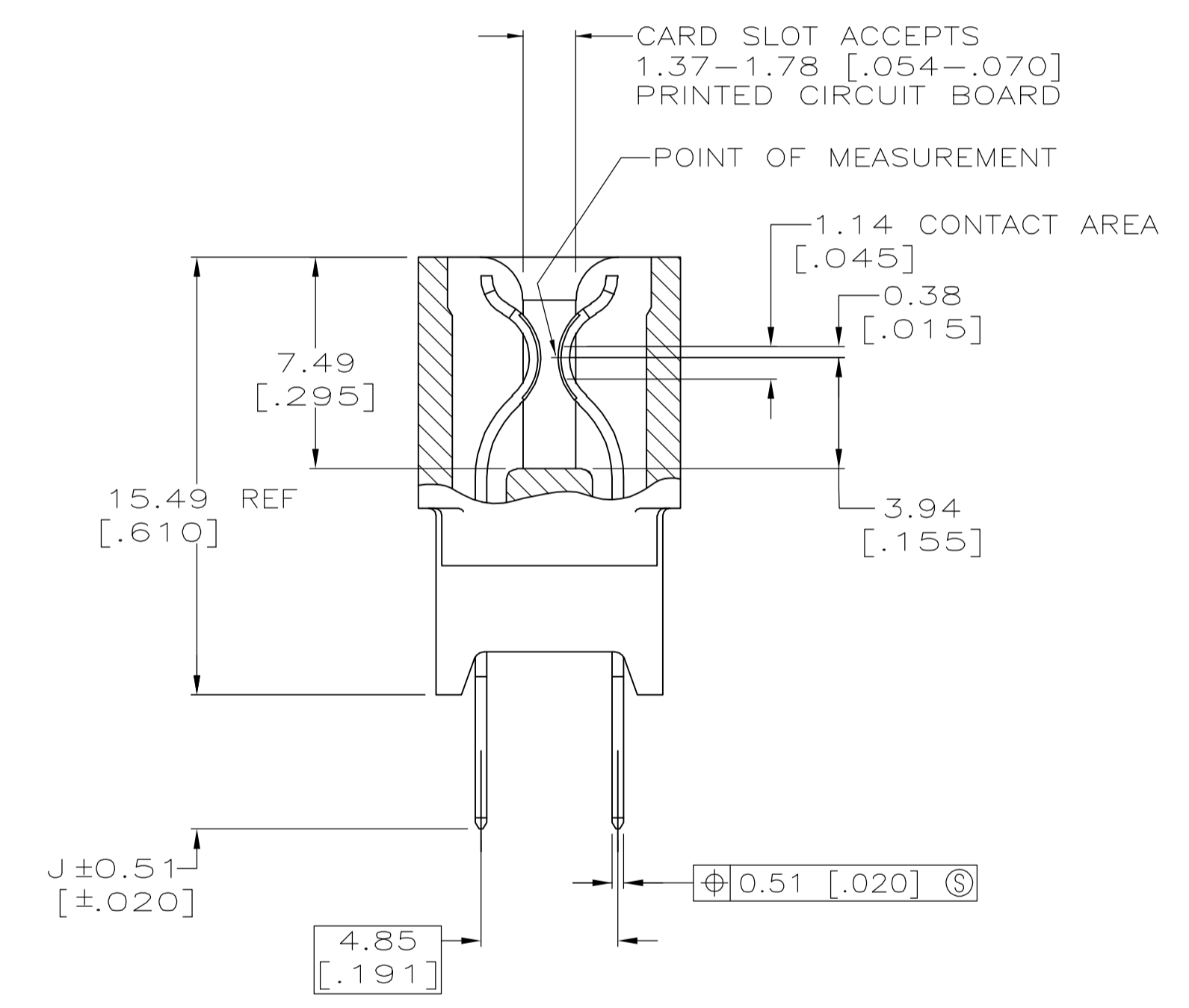


- ① HOUSING: GLASS FILLED POLYESTER; COLOR: BLACK.
- ② CONTACT: PHOSPHOR BRONZE.
- ③ NICKEL PLATE: 0.00127 [.000050] MIN - ALL OVER.
- ④ MATTE TIN PLATE: 0.00254 [.000100] MIN - SOLDER POSTS.
- ⑤ GOLD PLATE: 0.00038 [.000015] MIN - CONTACT AREA.
- ⑥ GOLD PLATE: 0.00076 [.000030] MIN - CONTACT AREA.
- ⑦ NICKEL PLATE PER MIL-G-45204. GOLD PLATE PER QQ-N-290.
- ⑧ AMP PART NUMBER, DATE CODE AND CSA LOGO MAY BE MARKED IN APPROXIMATE AREA SHOWN, EITHER SIDE.
- 9. RECOMMENDED PCB FINISHED HOLE DIA: 1.02 \pm 0.08 [.040 \pm .003].
- 10. SELECT LOADED WITH CONTACTS 29, 30, 35 THRU 38 AND 43 THRU 46 REMOVED.



①	4.75 [.187]	60.96 [2.400]	66.04 [2.600]	67.31 [2.650]	70.10 [2.760]	24	25	5145487-1
FINISH ③④	J	D	C	B	A	X	NO OF POSN	PART NUMBER
THIS DRAWING IS A CONTROLLED DOCUMENT.		DWN AL FRANTUM 15 AUG 05		Tyco Electronics Corporation		Harrisburg, Pa 17105-3608		
DIMENSIONS: mm		TOLERANCES UNLESS OTHERWISE SPECIFIED:		PRODUCT SPEC 108-9039		APPLICATION SPEC		
①		0 PLC \pm -		1 PLC \pm -		2 PLC \pm 0.13 [.005]		3 PLC \pm -
②		4. ANGLES \pm -		FINISH ③④⑤⑥⑦		SIZE CAGE CODE DRAWING NO		RESTRICTED TO
③④		MATERIAL		WEIGHT		A1 00779 C=5145487		CUSTOMER DRAWING
⑤⑥⑦		SCALE 5:1		SHEET 1 OF 1		REV A		