



MAX9539/40 Evaluation Kit

General Description

The MAX9539/40 evaluation kit (EV kit) is a fully assembled and tested surface-mount circuit board that contains one MAX9539 and one MAX9540 multi-signal sync system. The MAX9539 is a video graphic sync adder and the MAX9540 is a video graphic sync extractor. The MAX9539/MAX9540 work together as a chipset to provide a 3-wire (RGB) interface for 5-wire (RGBHV) video.

The MAX9539/40 EV kit can be separated into two individual PC boards, MAX9539 EV kit and MAX9540 EV kit. Each EV kit operates from a dual $\pm 5V$ DC power supply.

Component Suppliers

| SUPPLIER | PHONE | WEBSITE |
|----------|--------------|-----------------------|
| ATC | 631-622-4700 | www.atceramics.com |
| Samtec | 812-944-6733 | www.samtec.com |
| TDK | 847-803-6100 | www.component.tdk.com |

Note: Indicate that you are using the MAX9539/MAX9540 when contacting these component suppliers.

| DESIGNATION | QTY | DESCRIPTION |
|-------------|-----|---|
| C1–C4 | 4 | 0.001 μ F $\pm 10\%$, 25V X5R ceramic capacitors (0402) TDK C1005X5R1E102K |
| C5–C8 | 4 | 0.01 μ F 10%, 10V X5R ceramic capacitors (0402) TDK C1005X5R1A103K |
| C9–C12 | 4 | 0.1 μ F $\pm 10\%$, 10V X5R ceramic capacitors (0402) TDK C1005X5R1A104K |
| C13–C16 | 4 | 10 μ F $\pm 20\%$, 10V X5R ceramic capacitors (0805) TDK C2012X5R1A106M |
| C17–C22 | 6 | 1000pF $\pm 20\%$, 50V NP0 porcelain and ceramic capacitors (A-case) ATC ATC700A102MT50XC |
| J1, J2 | 2 | 2 x 6-pin headers |
| JU1–JU5 | 5 | 3-pin headers |

Features

- ◆ Breakable into Two EV Kits
- ◆ MAX9539 Sync Adder—Converts 5-Wire (RGBHV) to 3-Wire (RGB)
- ◆ MAX9540 Sync Extractor—Converts 3-Wire (RGB) to 5-Wire (RGBHV)
- ◆ Dual $\pm 5V$ DC Power-Supply Operation
- ◆ DC-Coupled Inputs/Outputs
- ◆ Standard 75 Ω Input/Output Terminations
- ◆ Surface-Mount Components
- ◆ Fully Assembled and Tested

Ordering Information

| PART | TEMP RANGE | IC PACKAGE |
|------------------|---------------|--|
| MAX9539/40EVKIT+ | 0°C to +70°C* | 28 TSSOP (MAX9539) 28 TSSOP (MAX9540) |

+Denotes a lead-free and RoHS-compliant evaluation kit.

*This limited temperature range is for the EV kit PC board only. The MAX9539 and MAX9540 IC temperature range is -40°C to +85°C.

Component List

| DESIGNATION | QTY | DESCRIPTION |
|--|-----|--|
| JU6–JU12 | 7 | 2-pin headers |
| R1–R12 | 12 | 75 Ω $\pm 1\%$ resistors (0603) |
| U1 | 1 | MAX9539EUI+ (28-pin TSSOP) |
| U2 | 1 | MAX9540EUI+ (28-pin TSSOP) |
| VGA_IN | 1 | HD sub-D 15-pin male connector |
| VGA_OUT | 1 | HD sub-D 15-pin female connector |
| COMP_SYNC, IN_BLU, IN_GRN, IN_RED, OUT_BLU, OUT_GRN, OUT_RED | 7 | 75 Ω BNC PCB mount connectors Recommended BNC cables RG-59A/U or RG-59B/U |
| — | 24 | Shunts |
| — | 1 | MAX9539/40 EV kit PCB |
| — | 1 | Crossover ribbon cable: IDC cable, single-row, 6 sockets, double end 20in Samtec IDSS-06-D-20 |

Evaluates: MAX9539/MAX9540

MAX9539/40 Evaluation Kit

Quick Start

Recommended Equipment

- Two 5V, 500mA DC power supplies (VCC and VEE)
- Desktop PC (or notebook computer) with a VGA output
- Computer Monitor with a VGA input
- VGA male-to-female sub-D extension cable

The MAX9539/40 EV kit is fully assembled and tested. Follow these steps to verify board operation. **Do not turn on the power supply until all connections are completed.**

- 1) Verify that a shunt is installed in each of the jumper positions in the table below:

| JUMPER | SHUNT POSITION | EV KIT FUNCTION |
|----------|---|--|
| JU1–JU5 | Pins 1-2 | Positive sync polarity |
| JU6–JU12 | Installed | MAX9539 EV kit outputs are connected to MAX9540 EV kit inputs on the PCB |
| HEADER | SHUNT POSITION | EV KIT FUNCTION |
| J1, J2 | Pins 1-2, pins 3-4, pins 5-6, pins 7-8, pins 9-10, pins 11-12 | MAX9539 EV kit outputs are connected to MAX9540 EV kit inputs on the PCB |

- 2) Connect the output of the video graphic controller on the desktop PC to the VGA_IN connector on the MAX9539/40 EV kit with the VGA extension cable.
- 3) Connect the VGA_OUT connector on the MAX9539/40 EV kit to the VGA input of the monitor.
- 4) Set both power supplies to 5V. Turn off both power supplies.
- 5) Connect the negative terminal of the first power supply to the GND pads on the EV kit and the positive terminal to the +5V pads on the EV kit.
- 6) Connect the negative terminal of the second power supply to the -5V pads on the EV kit and the positive terminal to the GND pads on the EV kit.
- 7) Turn on the desktop PC and computer monitor.
- 8) Turn on both power supplies.

Detailed Description

The MAX9539/40 EV kit is a fully assembled and tested surface-mount circuit board that contains one MAX9539 and one MAX9540 in 28-pin TSSOP packages. The MAX9539 is a video graphic sync adder and the MAX9540 is a video graphic sync extractor.

The MAX9539/40 EV kit consists of two individual EV kits, the MAX9539 EV kit and the MAX9540 EV kit. The two EV kits are configured on a single PCB that is breakable along the center cutout slots. After separation, the two EV kits can be reconnected using cables up to 20 inches long. Connect the RGB signals between the two EV kits using equal length RG-59A/U or the RG-59B/U BNC cables. Connect header J1 odd pins from the MAX9539 EV kit to J2 even pins on the MAX9540 EV kit using a Samtec IDSS-06-D-20 ribbon cable. See Table 6 for jumper locations and signal names.

The MAX9539 EV kit accepts RGBHV signals from a 5-wire interface, adds the horizontal and vertical syncs to the RGB signals, and provides the RGB outputs with sync to a 3-wire interface. The MAX9539 EV kit operates from a dual $\pm 5V$ DC power supply. All the input and output signals on the MAX9539 EV kit are DC-coupled. The MAX9539 video input terminals have 75Ω termination resistors to ground, and the output terminals have 75Ω back termination (source) resistors.

The MAX9540 EV kit accepts RGB signals with sync from a 3-wire interface, extracts the horizontal and vertical syncs from the RGB signals, and provides the RGBHV outputs to a 5-wire interface. The MAX9540 EV kit operates from a dual $\pm 5V$ DC power supply. All the input and output signals on the MAX9540 EV kit are DC-coupled. The MAX9540 video input terminals have 75Ω termination resistors to ground, and the output terminals have 75Ω back termination (source) resistors.

The MAX9539/40 EV kit can operate as a single unit in applications where both the graphic sync adder and extractor can be placed on the same PCB. When the MAX9539/40 EV kit is operated as a single unit, the outputs of the MAX9539 must be connected to the inputs of the MAX9540 using jumpers JU6–JU12, and headers J1 and J2. See Table 6 for configuration.

MAX9539/40 Evaluation Kit

Evaluates: MAX9539/MAX9540

Jumper Selection

MAX9539 Horizontal Sync Polarity (SP_H)

The MAX9539/40 EV kit provides an option to select the horizontal sync polarity for the MAX9539 IC. Jumper JU1 selects the horizontal sync polarity (SP_H) of the MAX9539 IC. See Table 1 for shunt positions.

Table 1. JU1 Jumper Selection (SP_H)

| SHUNT POSITION | MAX9539 SP_H PIN CONNECTED TO | MAX9539 HORIZONTAL SYNC POLARITY |
|----------------|-------------------------------|----------------------------------|
| 1-2 (default) | VDD | Positive sync |
| 2-3 | GND | Negative sync |

MAX9539 Vertical Sync Polarity (SP_V)

The MAX9539/40 EV kit provides an option to select the vertical sync polarity for the MAX9539 IC. Jumper JU2 selects the vertical sync polarity (SP_V) of the MAX9539 IC. See Table 2 for shunt positions.

Table 2. JU2 Jumper Selection (SP_V)

| SHUNT POSITION | MAX9539 SP_V PIN CONNECTED TO | MAX9539 VERTICAL SYNC POLARITY |
|----------------|-------------------------------|--------------------------------|
| 1-2 (default) | VDD | Positive sync |
| 2-3 | GND | Negative sync |

MAX9540 Horizontal Sync Polarity (SP_H)

The MAX9539/40 EV kit provides an option to select the horizontal sync polarity for the MAX9540 IC. Jumper JU3 selects the SP_H of the MAX9540 IC. See Table 3 for shunt positions.

Table 3. JU3 Jumper Selection (SP_H)

| SHUNT POSITION | MAX9540 SP_H PIN CONNECTED TO | MAX9540 HORIZONTAL SYNC POLARITY |
|----------------|-------------------------------|----------------------------------|
| 1-2 (default) | VDD | Positive sync |
| 2-3 | GND | Negative sync |

MAX9540 Vertical Sync Polarity (SP_V)

The MAX9539/40 EV kit provides an option to select the vertical sync polarity for the MAX9540 IC. Jumper JU4 selects the SP_V of the MAX9540 IC. See Table 4 for shunt positions.

Table 4. JU4 Jumper Selection (SP_V)

| SHUNT POSITION | MAX9540 SP_V PIN CONNECTED TO | MAX9540 VERTICAL SYNC POLARITY |
|----------------|-------------------------------|--------------------------------|
| 1-2 (default) | VDD | Positive sync |
| 2-3 | GND | Negative sync |

MAX9540 Composite Sync Polarity (SP_C)

The MAX9539/40 EV kit provides an option to select the composite sync polarity for the MAX9540 IC. Jumper JU5 selects the composite sync polarity (SP_C) of the MAX9540 IC. See Table 5 for shunt positions.

Table 5. JU5 Jumper Selection (SP_C)

| SHUNT POSITION | MAX9540 SP_C PIN CONNECTED TO | MAX9540 COMPOSITE SYNC POLARITY |
|----------------|-------------------------------|---------------------------------|
| 1-2 (default) | VDD | Positive sync |
| 2-3 | GND | Negative sync |

MAX9539/40 Evaluation Kit

MAX9539/MAX9540 Connecting Jumpers (JU6–JU12) and Headers (J1 and J2)

The MAX9539/40 EV kit provides an option to connect the outputs of the MAX9539 to the inputs of the

MAX9540. Jumpers JU6–JU12 and headers J1 and J2 connect or disconnect the MAX9539 from the MAX9540. See Table 6 for shunt positions.

Table 6. JU6–JU12 Jumper Selection and J1, J2 Header Configuration

| SHUNT POSITION | SIGNAL NAMES | INSTALL SHUNTS | REMOVE SHUNTS | RIBBON CABLE J1 ODD PINS | RIBBON CABLE J2 EVEN PINS |
|----------------|---------------------------|--|--|-----------------------------|------------------------------|
| JU6 pins 1-2* | +5VGA_IN (VGA_IN) | Install shunts to connect the MAX9539 to the MAX9540 | Remove shunts to disconnect the MAX9539 from the MAX9540 | — | — |
| JU7 pins 1*-2 | OUT_RED (MAX9539) | | | | |
| JU8 pins 1*-2 | OUT_GRN (MAX9539) | | | | |
| JU9 pins 1*-2 | OUT_BLU (MAX9539) | | | | |
| JU10 pins 1*-2 | IN_RED (MAX9540) | | | | |
| JU11 pins 1*-2 | IN_GRN (MAX9540) | | | | |
| JU12 pins 1*-2 | IN_BLU (MAX9540) | | | | |
| J1 pins 1*-2 | PIN11_IN (VGA_IN) | Install shunts to connect the MAX9539 to the MAX9540 | Remove shunts to disconnect the MAX9539 from the MAX9540 | 1 | — |
| J1 pins 3*-4 | DDC_DATA_IN (VGA_IN) | | | 3 | — |
| J1 pins 5*-6 | PIN4_IN (VGA_IN) | | | 5 | — |
| J1 pins 7*-8 | DDC_CLK_IN (VGA_IN) | | | 7 | — |
| J1 pins 9*-10 | +5VGA_IN (VGA_IN) | | | 9 | — |
| J1 pins 11*-12 | GND (VGA_IN) | | | 11 | — |
| J2 pins 1-2* | PIN11_OUT (VGA_OUT) | Install shunts to connect the MAX9539 to the MAX9540 | Remove shunts to disconnect the MAX9539 from the MAX9540 | — | 2 |
| J2 pins 3-4* | DDC_DATA_OUT (VGA_OUT) | | | — | 4 |
| J2 pins 5-6* | PIN4_OUT (VGA_OUT) | | | — | 6 |
| J2 pins 7-8* | DDC_CLK_OUT (VGA_OUT) | | | — | 8 |
| J2 pins 9-10* | +5VGA_OUT (VGA_OUT) | | | — | 10 |
| J2 pins 11-12* | GND (VGA_OUT) | | | — | 12 |

*Signal pins.

MAX9539/40 Evaluation Kit

Evaluates: MAX9539/MAX9540

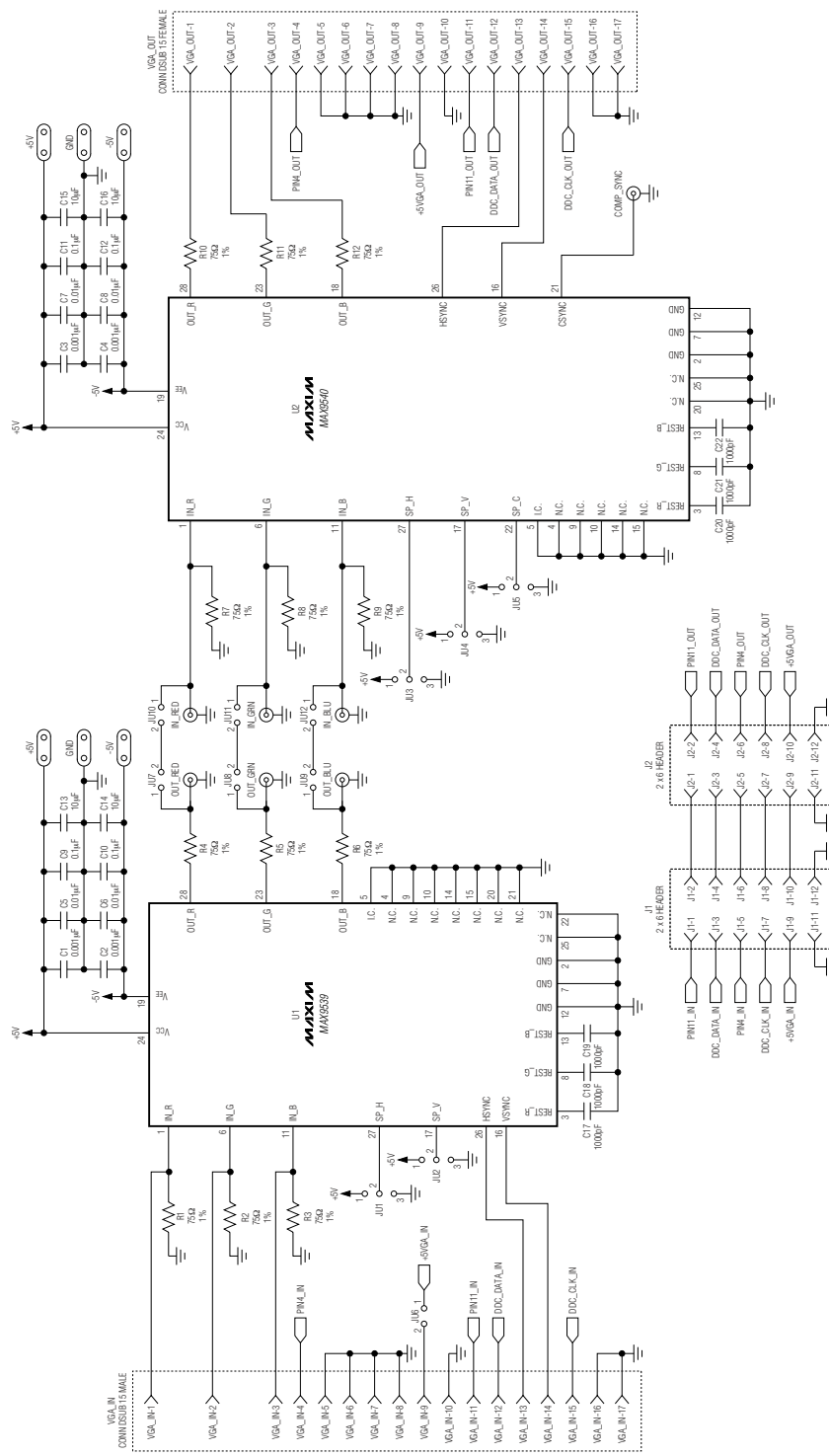


Figure 1. MAX9539/40 EV Kit Schematic

MAX9539/40 Evaluation Kit

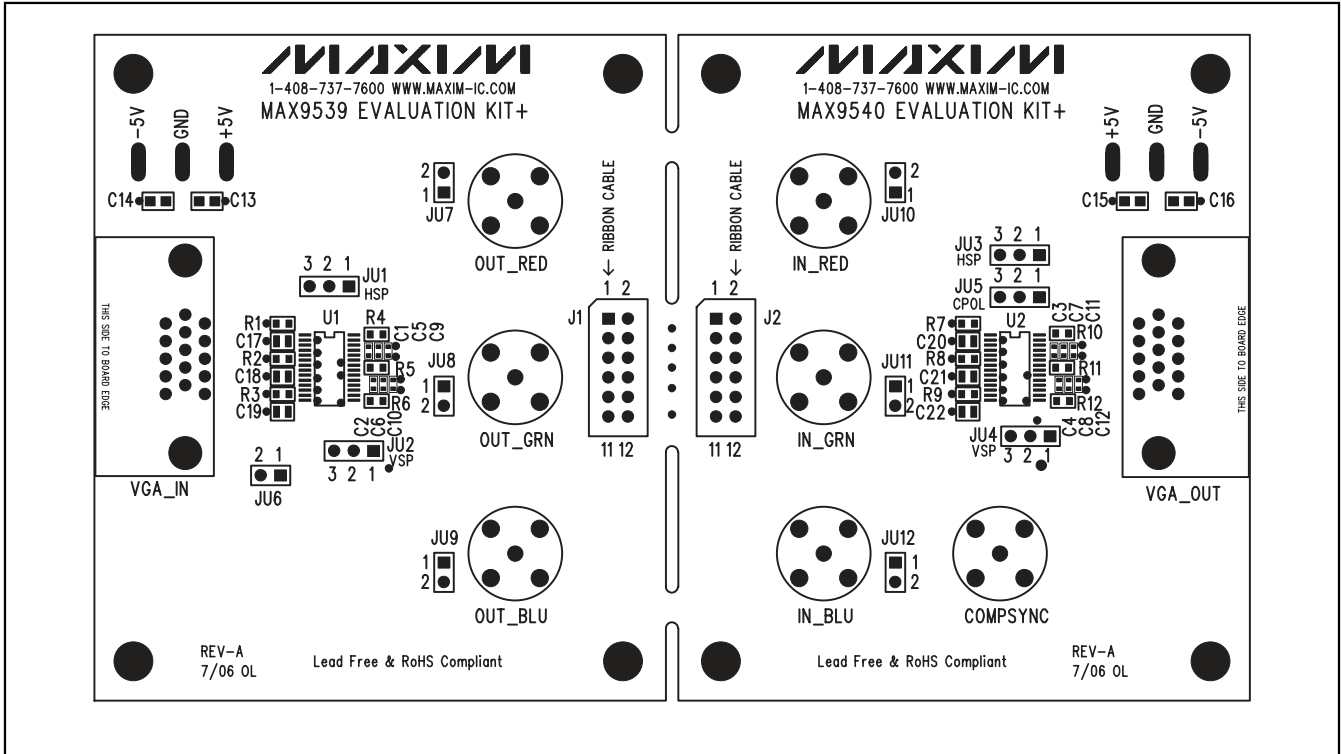


Figure 2. MAX9539/40 EV Kit Component Placement Guide—Component Side

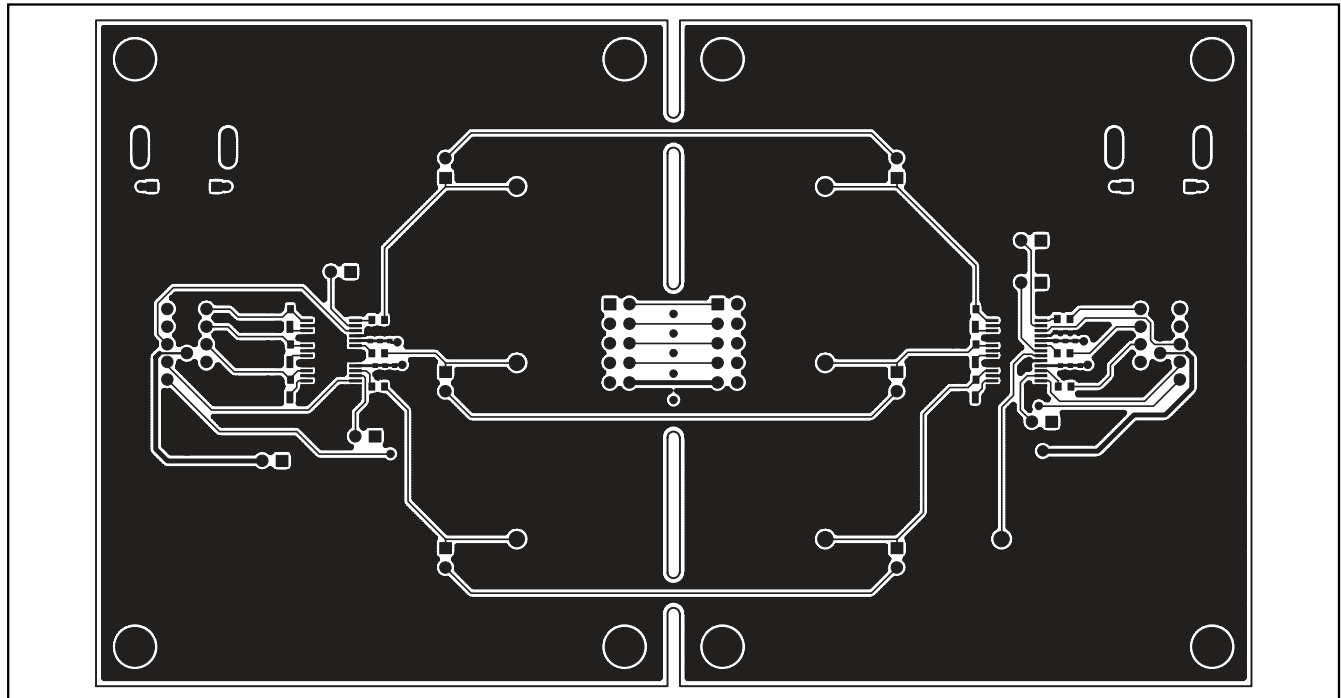


Figure 3. MAX9539/40 EV Kit PCB Layout—Component Side

MAX9539/40 Evaluation Kit

Evaluates: MAX9539/MAX9540

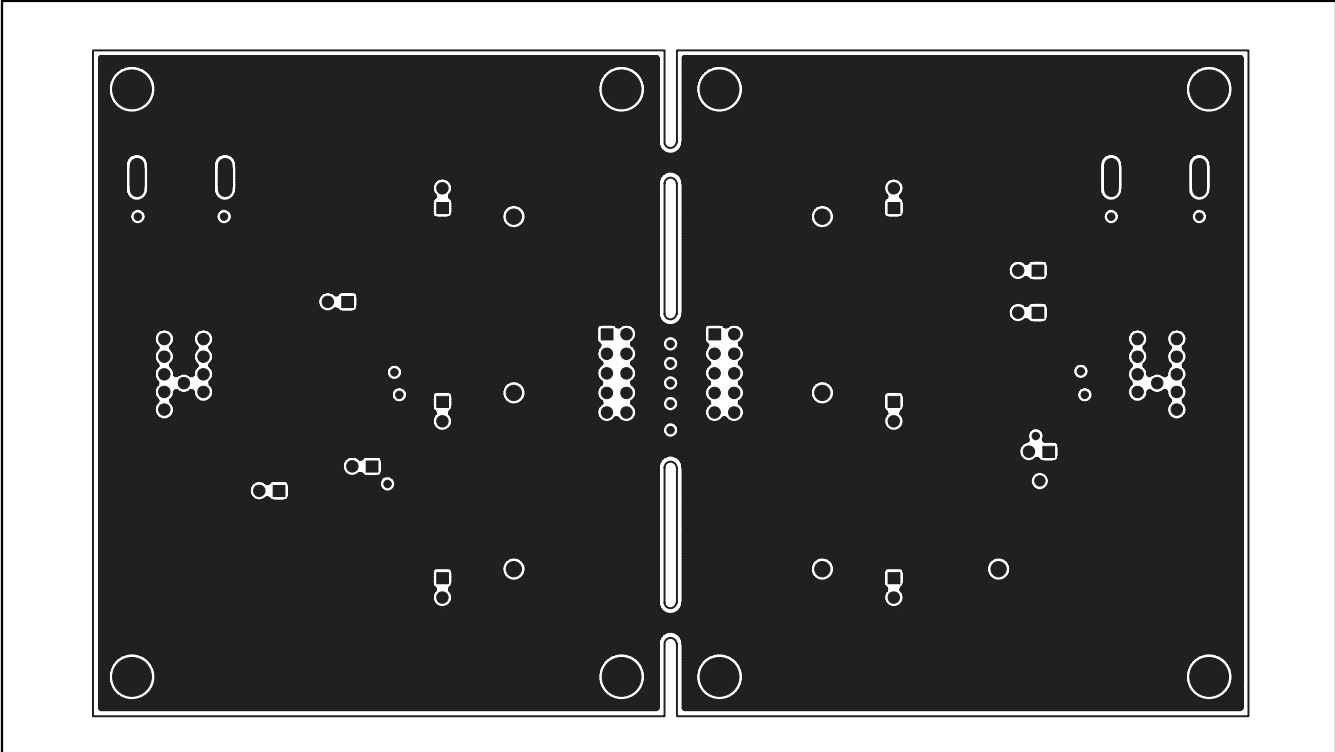


Figure 4. MAX9539/40 EV Kit PCB Layout—GND Layer 2

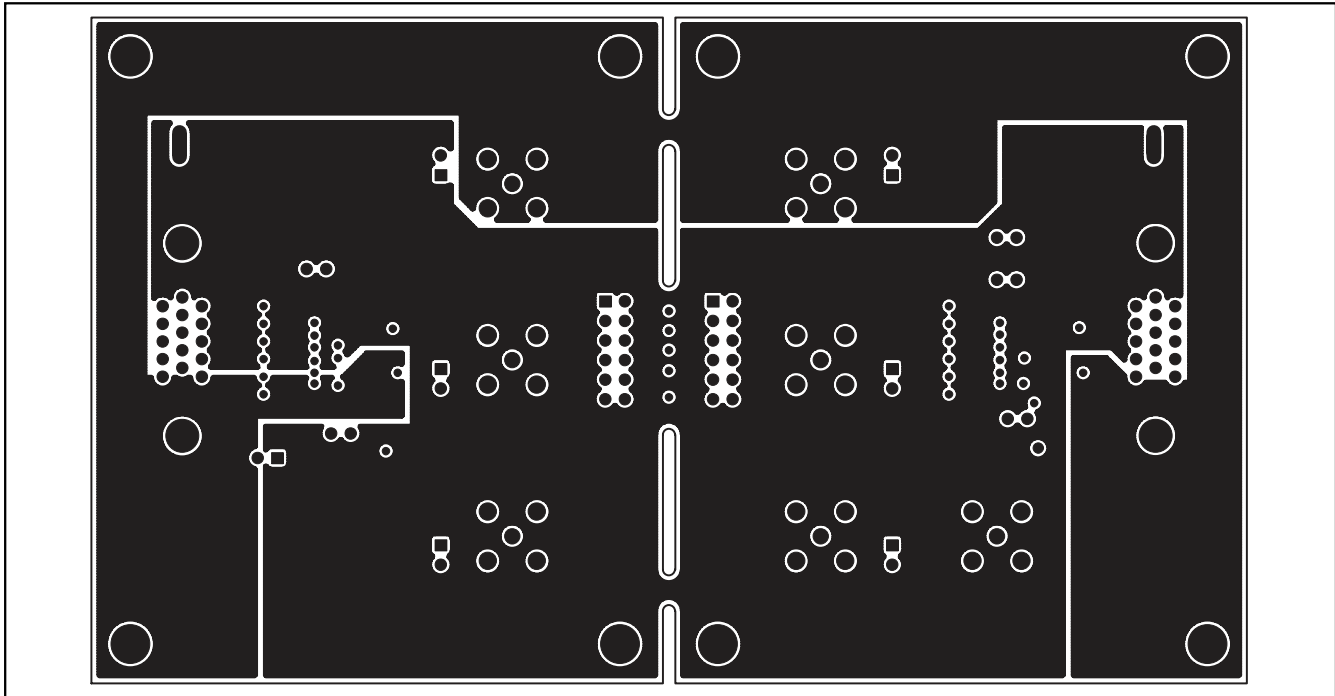


Figure 5. MAX9539/40 EV Kit PCB Layout—PWR Layer 3

MAX9539/40 Evaluation Kit

Evaluates: MAX9539/MAX9540

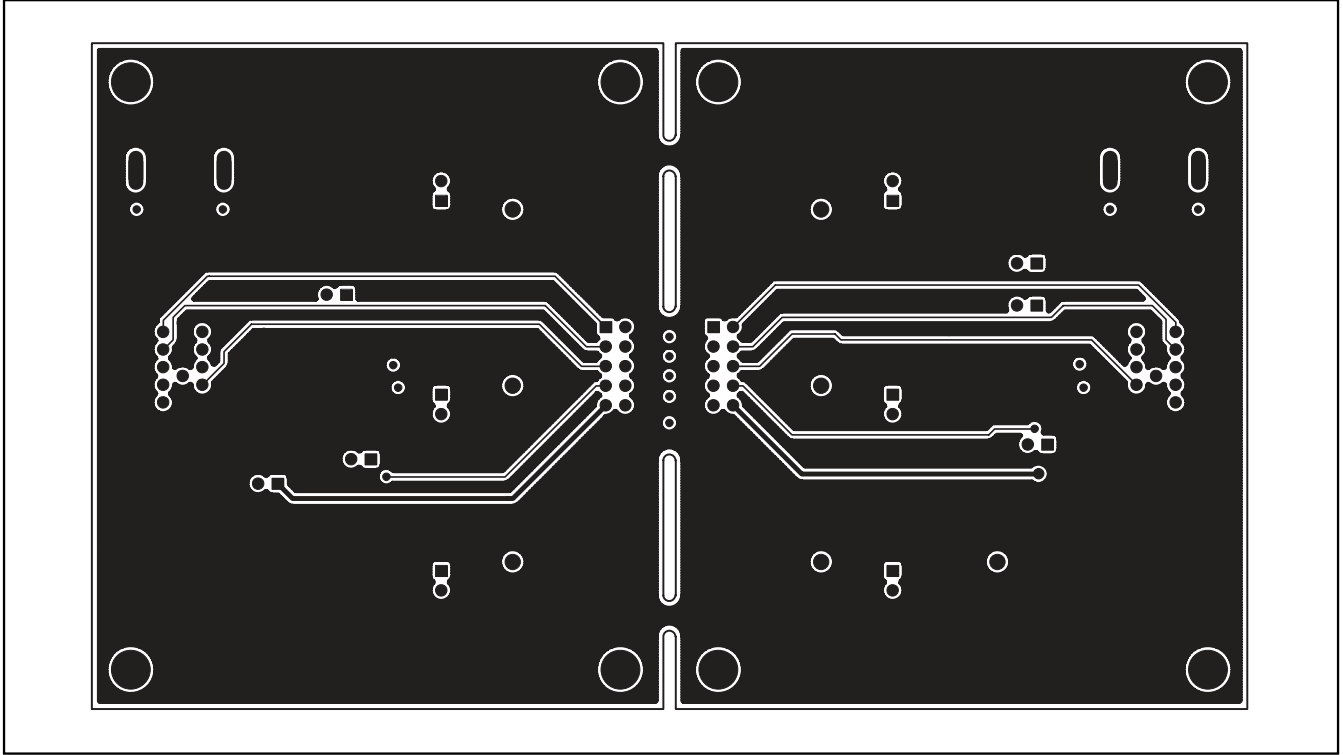


Figure 6. MAX9539/40 EV Kit PCB Layout—Solder Side

Maxim cannot assume responsibility for use of any circuitry other than circuitry entirely embodied in a Maxim product. No circuit patent licenses are implied. Maxim reserves the right to change the circuitry and specifications without notice at any time.

8 **Maxim Integrated Products, 120 San Gabriel Drive, Sunnyvale, CA 94086 408-737-7600**

© 2006 Maxim Integrated Products

MAXIM is a registered trademark of Maxim Integrated Products, Inc.