

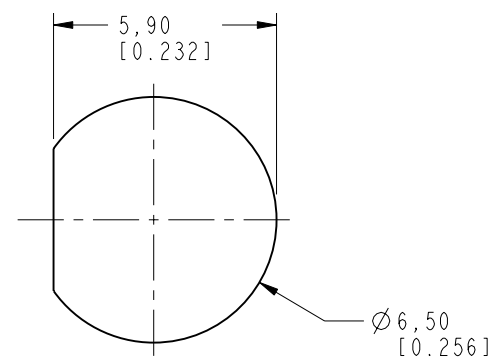
NOTES:

- 1. MATERIALS AND FINISHES:
 BODY - BRASS, GOLD PLATING.
 CONTACT - BeCu, GOLD PLATING.
 INSULATOR - PTFE, NATURAL
 NUT - BRASS, NICKLE PLATING
- 2. ELECTRICAL:
 A. IMPEDANCE: 75 OHM
 B. FREQUENCY RANGE: DC-18 GHz
 C. RETURN LOSS (VSWR): -25dB (1.12) MAX DC-6 GHz
 -20dB (1.22) MAX 6-12 GHz
 D. DIELECTRIC WITHSTANDING VOLTAGE: 1000 VRMS, MIN.
- 3. MECHANICAL:
 A. DURABILITY: 500 CYCLES MIN.
 B. TEMPERATURE RANGE: -65° C TO +165° C
- 4. PACKAGING:
 A. QUANTITY: SINGLE PACK
 B. MARKING: BAG TO BE MARKED:
 "AMPHENOL RF, 34-1126-12G DATE CODE"

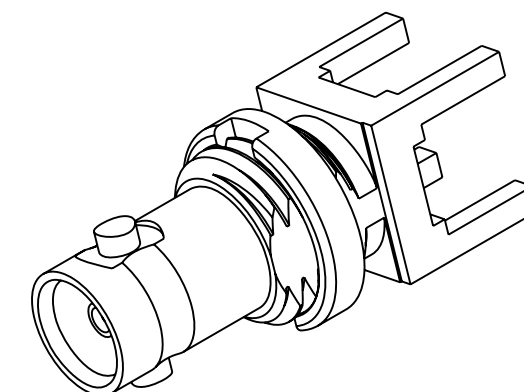
THIRD ANGLE PROJ.

REVISIONS

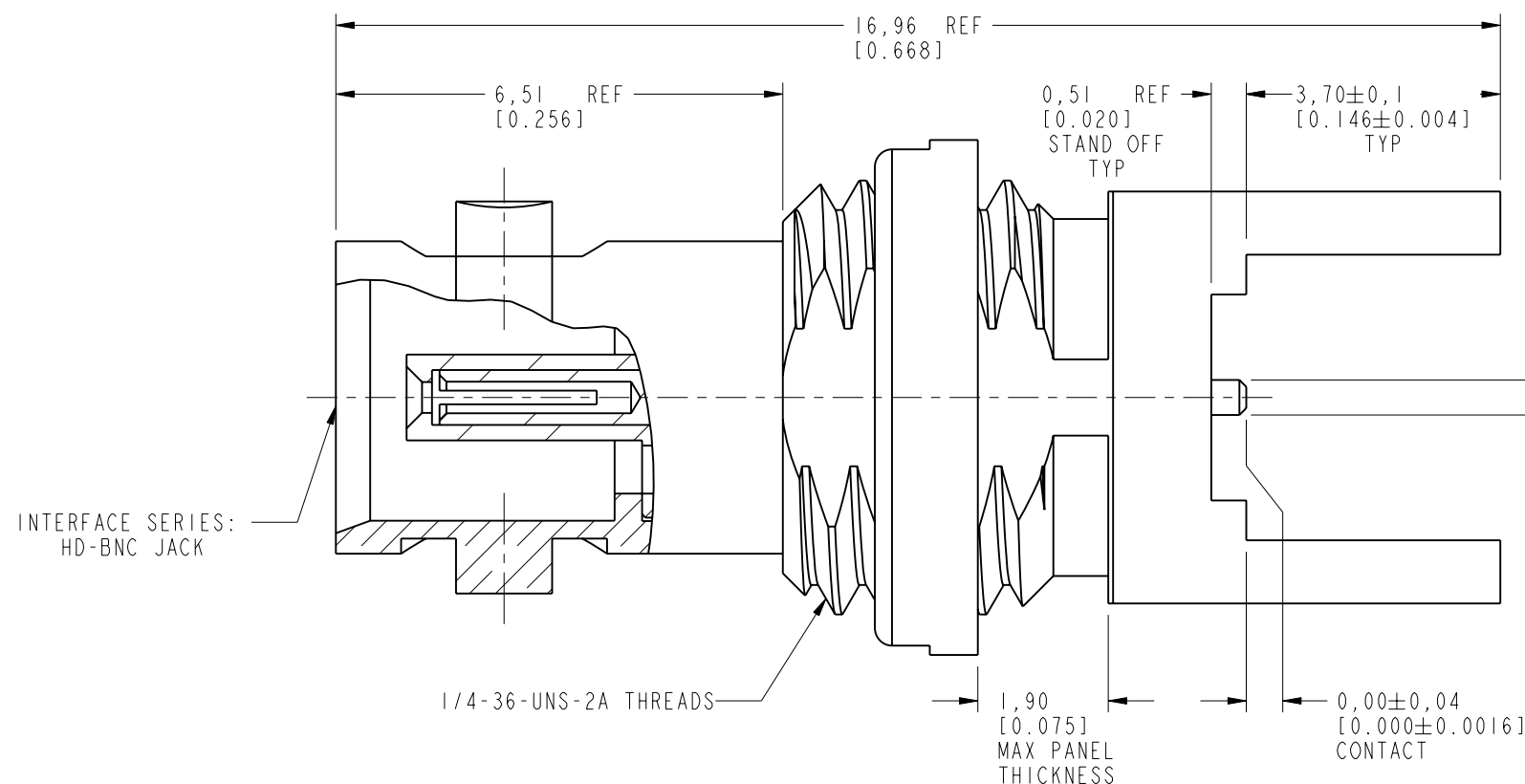
REV	DESCRIPTION	DATE	ECN	APPR
A	RELEASE TO MFG.	30-Jun-18	08470	CJV



SCALE 5.000
RECOMMENDED PANEL CUTOUT
DIMENSIONS

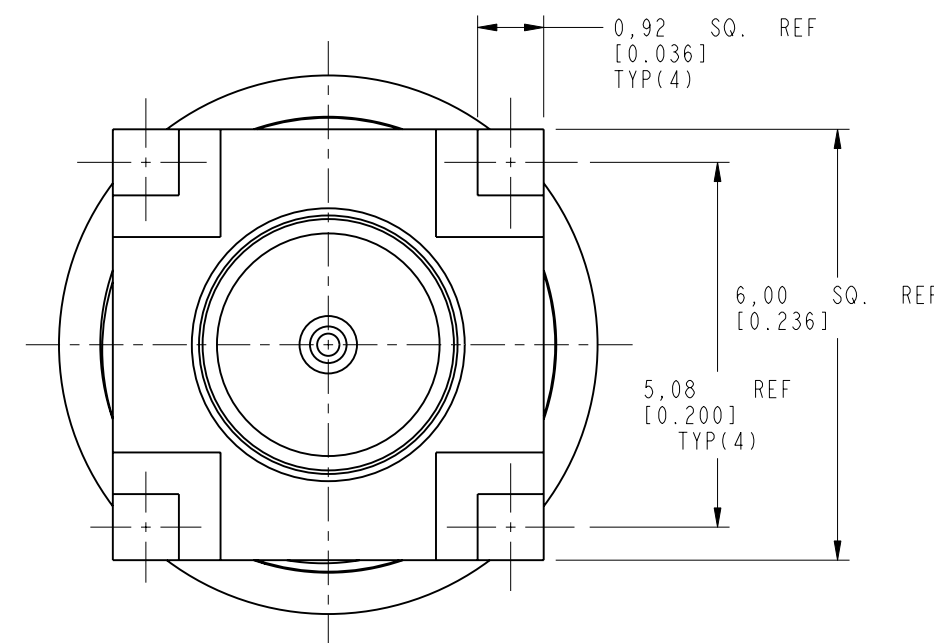


SCALE 4.000



INTERFACE SERIES:
 HD-BNC JACK

1/4-36-UNS-2A THREADS



CUSTOMER OUTLINE DRAWING

ALL OTHER SHEETS ARE FOR INTERNAL USE ONLY

UNLESS OTHERWISE SPECIFIED, DIMENSIONS ARE IN METRIC AND TOLERANCES ARE:
 <0.5mm ± 0.05mm 0.5 - 6mm ± 0.1mm 6 - 30mm ± 0.2mm 30 - 120mm ± 0.3mm ANGLES ± 1°

NOTICE - These drawings, specifications, or other data (1) are, and remain the property of Amphenol corp. (2) must be returned upon request; and (3) are confidential and not to be disclosed to any person other than those to whom they are given by Amphenol Corp. the furnishing of these drawings, specifications, or other data by Amphenol Corp., or to any other person to anyone for any purpose is not to be regarded by implication or otherwise in any manner licensing, granting rights to permitting such holder or any other person to manufacture, use or sell any product, process or design, patented or otherwise, that may in any way be related to or disclosed by said drawings, specifications, or other data.

MATERIAL	SEE NOTES
REFERENCE	EAR# 8093
	REF: 34-1028-12G
CONFIGURATION LEVEL:	In Work
FINISH	

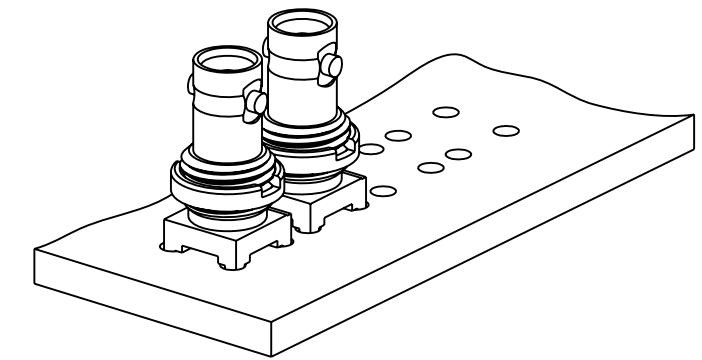
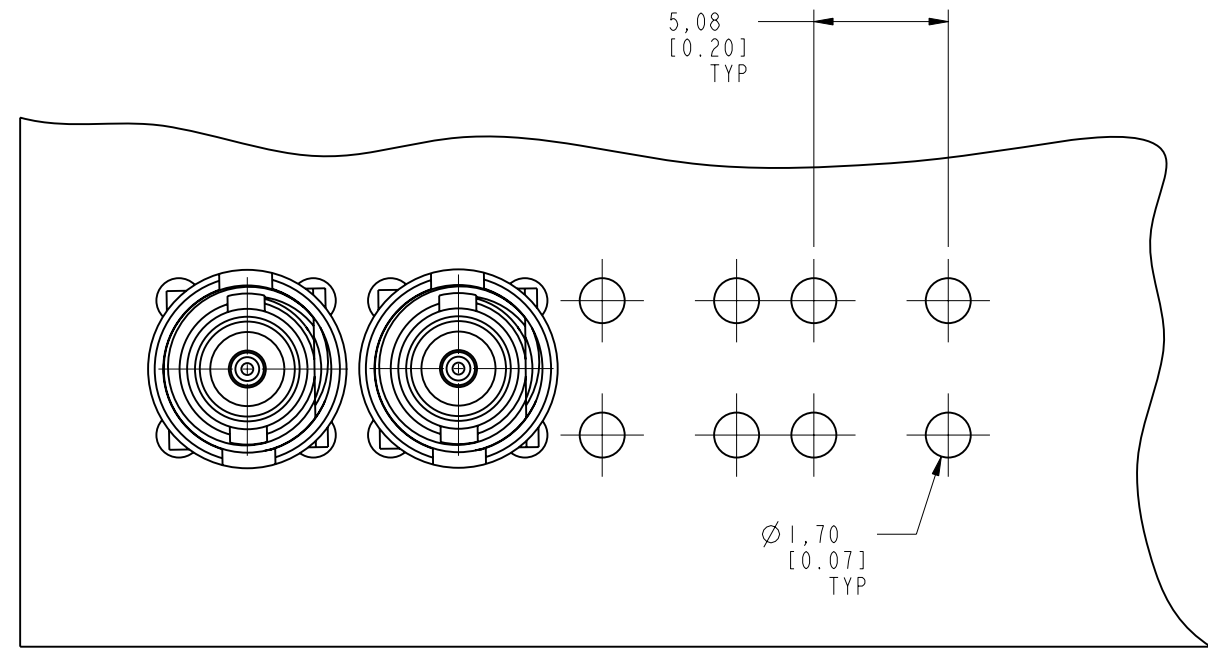
DRAWN	DATE
W. ZENG	30-Jun-18
ENGINEER	DATE
SUNDE	30-Jun-18
APPROVED	DATE
FIGO	17-Jul-18
CAD FILE	

TITLE	
HB-BNC STR BHD JACK RECEPTACLE THRU HOLE PCB, SMT CONTACT	
SCALE: 9.5:1.0	SHEET 2 OF 3
DWG SIZE	REV
B	A

Amphenol RF	
www.amphenolrf.com	
DRAWING NO.	34-1126-12G
ITEM NO.	34-1126-12G
PART NO.	34-1126-12G

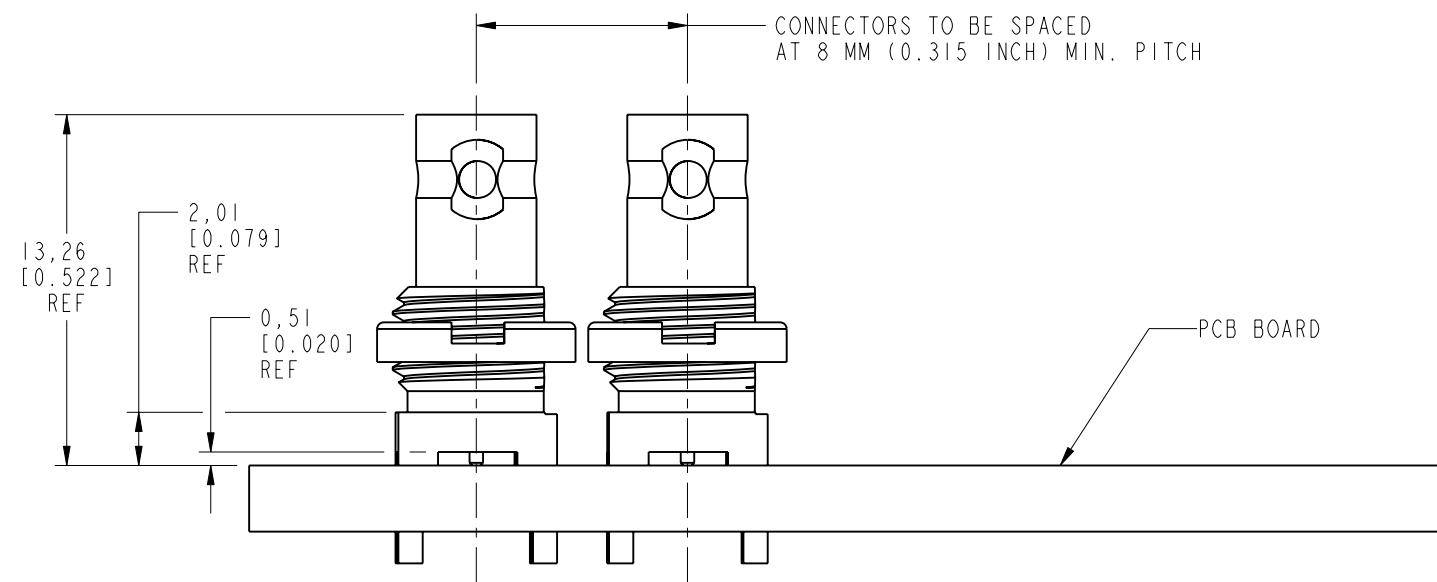
THIRD ANGLE PROJ.

REVISIONS				
REV	DESCRIPTION	DATE	ECN	APPR
A	RELEASE TO MFG.	30-Jun-18	08470	CJV



SCALE 2.000

RECOMMENDED PCB MOUNTING HOLES



CUSTOMER OUTLINE DRAWING

ALL OTHER SHEETS ARE FOR INTERNAL USE ONLY

<p>UNLESS OTHERWISE SPECIFIED, DIMENSIONS ARE IN METRIC AND TOLERANCES ARE: <0.5mm ±0.05mm 0.5 - 6mm ±0.1mm 6 - 30mm ±0.2mm 30 - 120mm ±0.3mm ANGLES ±1°</p> <p>NOTICE - These drawings, specifications, or other data (1) are, and remain the property of Amphenol corp. (2) must be returned upon request; and (3) are confidential and not to be disclosed to any person other than those to whom they are given by Amphenol Corp. the furnishing of these drawings, specifications, or other data by Amphenol Corp., or to any other person to anyone for any purpose is not to be regarded by implication or otherwise in any manner licensing, granting rights to permitting such holder or any other person to manufacture, use or sell any product, process or design, patented or otherwise, that may in any way be related to or disclosed by said drawings, specifications, or other data.</p>	<p>MATERIAL</p> <p>-</p>	<p>DRAWN</p> <p>W.ZENG</p>	<p>DATE</p> <p>30-Jun-18</p>	<p>TITLE</p> <p>HB-BNC STR BHD JACK RECEPTACLE THRU HOLE PCB, SMT CONTACT</p>	<p>Amphenol RF</p> <p>www.amphenolrf.com</p>	
	<p>REFERENCE</p> <p>EAR# 8093</p> <p>REF: 34-1028-12G</p>	<p>ENGINEER</p> <p>SUNDE</p>	<p>DATE</p> <p>30-Jun-18</p>	<p>SCALE: 3.5:1.0</p> <p>SHEET 3 OF 3</p>		<p>DRAWING NO. 34-1126-12G</p>
	<p>CONFIGURATION LEVEL: In Work</p>	<p>APPROVED</p> <p>FIGO</p>	<p>DATE</p> <p>17-Jul-18</p>	<p>DWG SIZE</p> <p>B</p>	<p>REV</p> <p>A</p>	<p>ITEM NO. 34-1126-12G</p>
	<p>FINISH</p>	<p>CAD FILE</p>	<p>DWG SIZE</p> <p>B</p>	<p>REV</p> <p>A</p>	<p>PART NO. 34-1126-12G</p>	