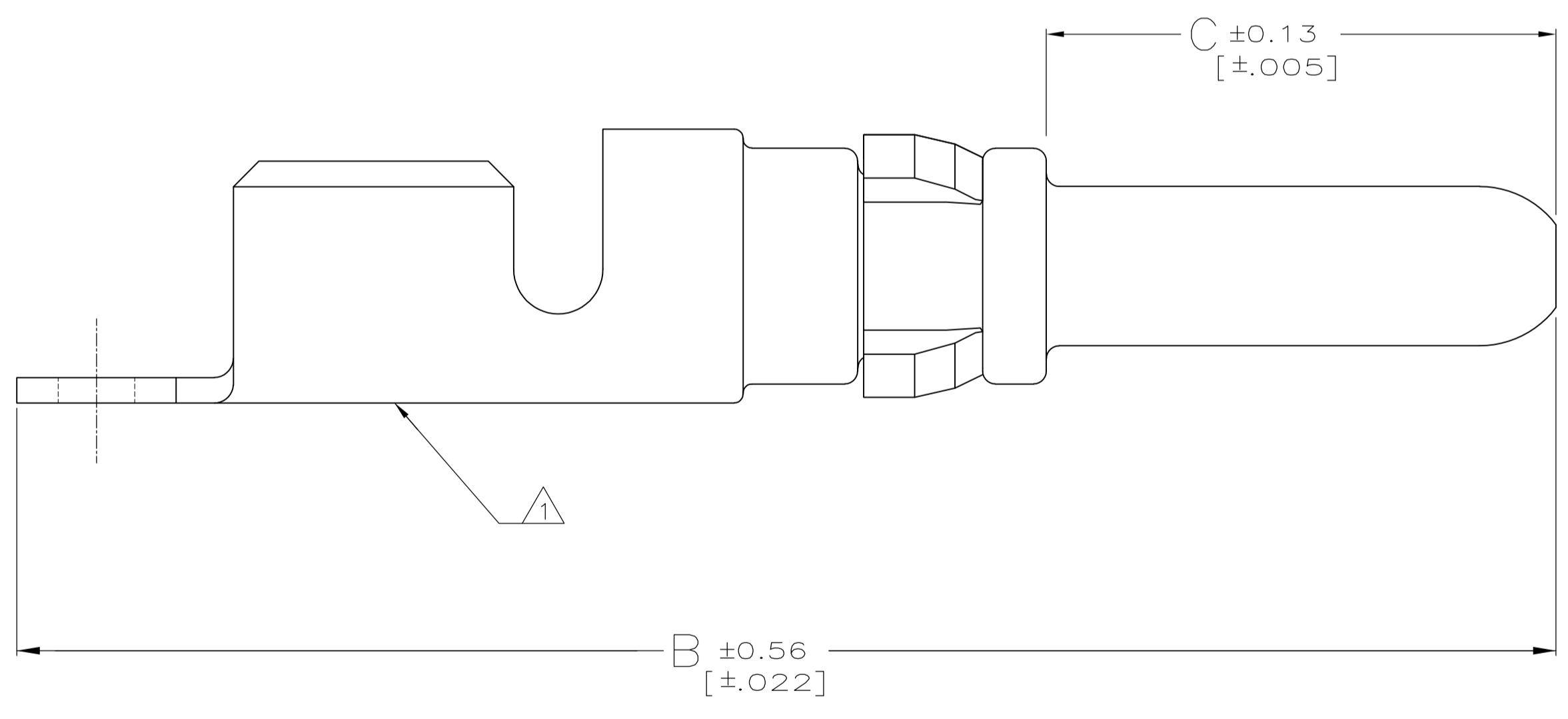
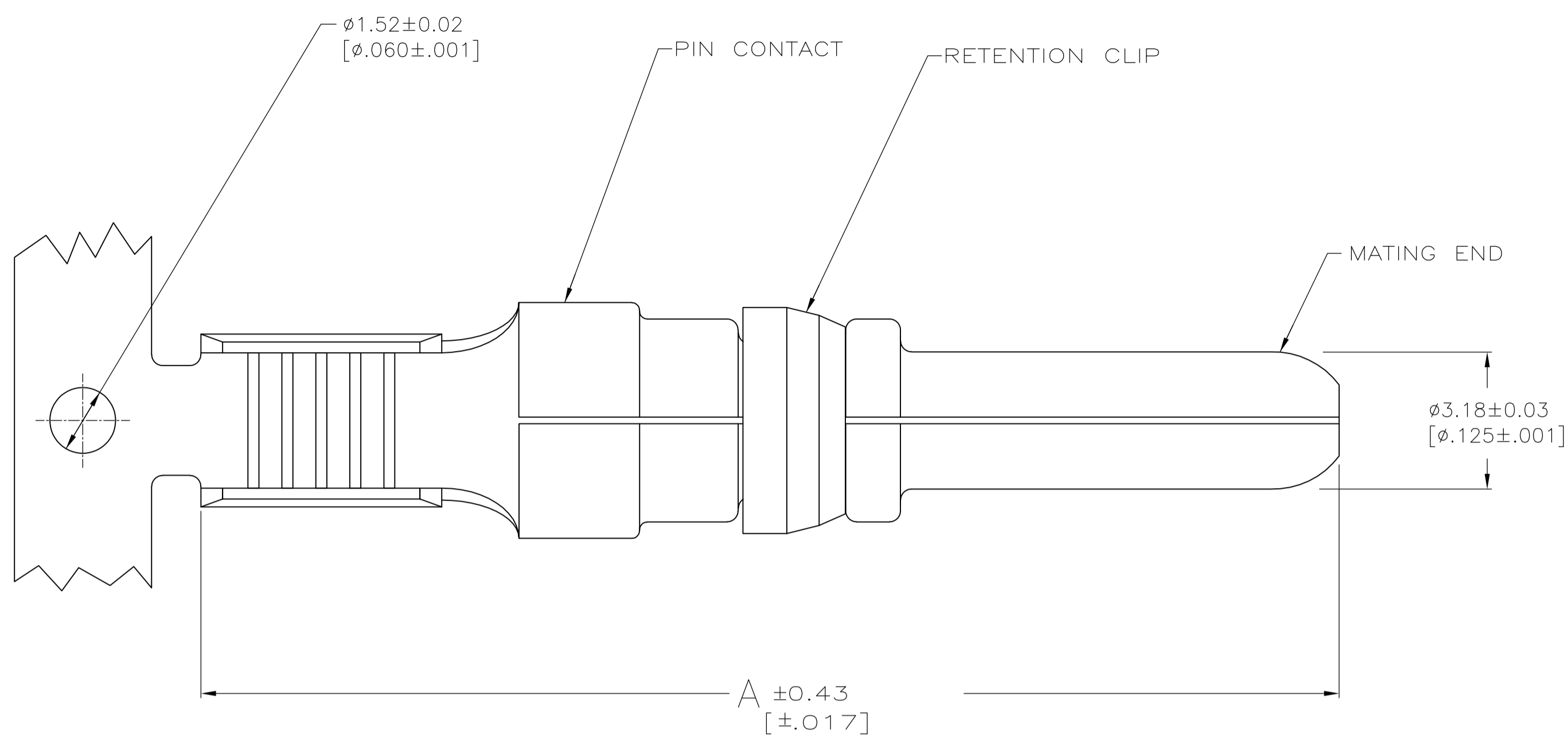
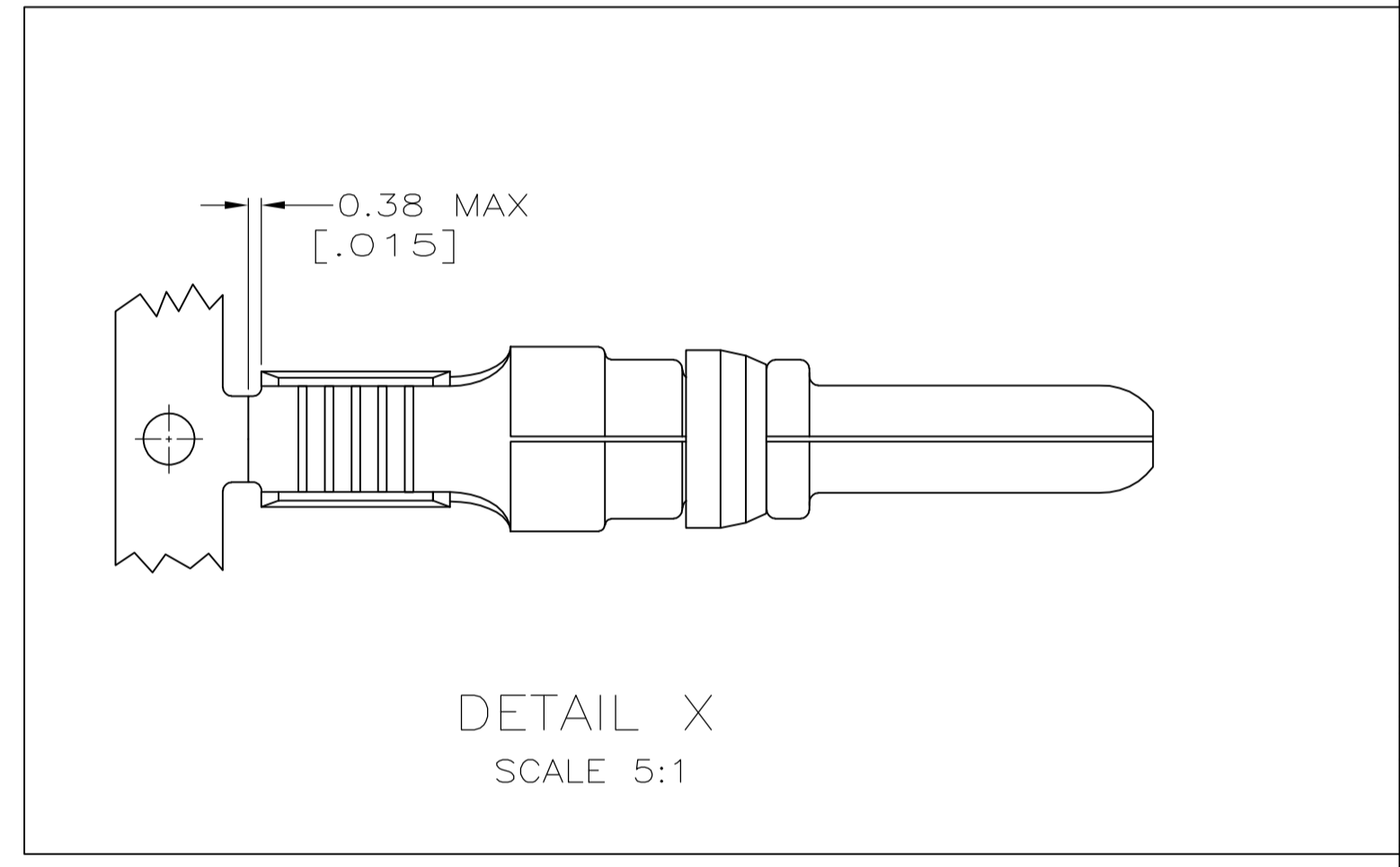


REVISIONS					
P	LTR	DESCRIPTION	DATE	DWN	APVD
B2	REVISED PER	ECO-16-004223	19JUL2016	NK	MZ



- 1 WIRE SIZE AND LOGO APPEAR ON OUTSIDE OF WIRE BARREL.
- 2 RETENTION CLIP: PHOSPHOR BRONZE PER QQ-B-750. PIN CONTACT: COPPER PER QQ-C-576.
- 3 PIN CONTACT: $0.76 \mu\text{m}$ [0.00030] MIN GOLD PER MIL-G-45204 ON CONTACT MATING END, GOLD FLASH ON REMAINDER, ALL OVER $1.27 \mu\text{m}$ [0.00050] MIN NICKEL PER QQ-N-390. RETENTION CLIP: $2.54 \mu\text{m}$ [0.000100] MIN NICKEL PER QQ-N-290.
- 4 PIN CONTACT: $5.08 \mu\text{m}$ [0.000200] MIN SILVER PER QQ-S-365 ON CONTACT MATING END, $1.27 \mu\text{m}$ [0.00050] MIN SILVER ON REMAINDER, ALL OVER $1.27 \mu\text{m}$ [0.00050] MIN NICKEL PER QQ-N-290. RETENTION CLIP: $2.54 \mu\text{m}$ [0.000100] MIN NICKEL PER QQ-N-290.



OBSOLETE	3	12.32 [.485]	-	28.52 [1.123]	DETAIL X	-213845-8-
OBSOLETE	4	12.32 [.485]	-	28.52 [1.123]	DETAIL X	-213845-7-
	3	12.32 [.485]	32.84 [1.293]	28.52 [1.123]	-	213845-6
	4	12.32 [.485]	32.84 [1.293]	28.52 [1.123]	-	213845-5
	3	10.16 [.400]	-	26.37 [1.038]	DETAIL X	213845-4
	4	10.16 [.400]	-	26.37 [1.038]	DETAIL X	213845-3
	3	10.16 [.400]	30.68 [1.208]	26.37 [1.038]	-	213845-2
	4	10.16 [.400]	30.68 [1.208]	26.37 [1.038]	-	213845-1
FINISH		C	B	A	LOOSE PIECE	PART NUMBER

THIS DRAWING IS A CONTROLLED DOCUMENT.

DIMENSIONS: mm [INCHES]

TOLERANCES UNLESS OTHERWISE SPECIFIED:

0. PLC	±	-
1. PLC	±	-
2. PLC	±	-
3. PLC	±	-
4. PLC	±	-
ANGLES	±	±

MATERIAL: SEE TABLE

THIS DRAWING IS A CONTROLLED DOCUMENT. W.G. LENKER 30 JUL 96. R. STONE 05 AUG 96. G. STEINHÄUER 06 AUG 96.

STE TE Connectivity

PIN CONTACT ASSEMBLY
14-12 AWG, .125 POWERBAND

SIZE: A1 CAGE CODE: 00779 DRAWING NO: 213845

CUSTOMER DRAWING SCALE: 10:1 SHEET: 1 OF 1 REV: B2