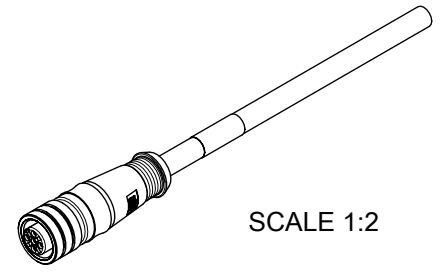


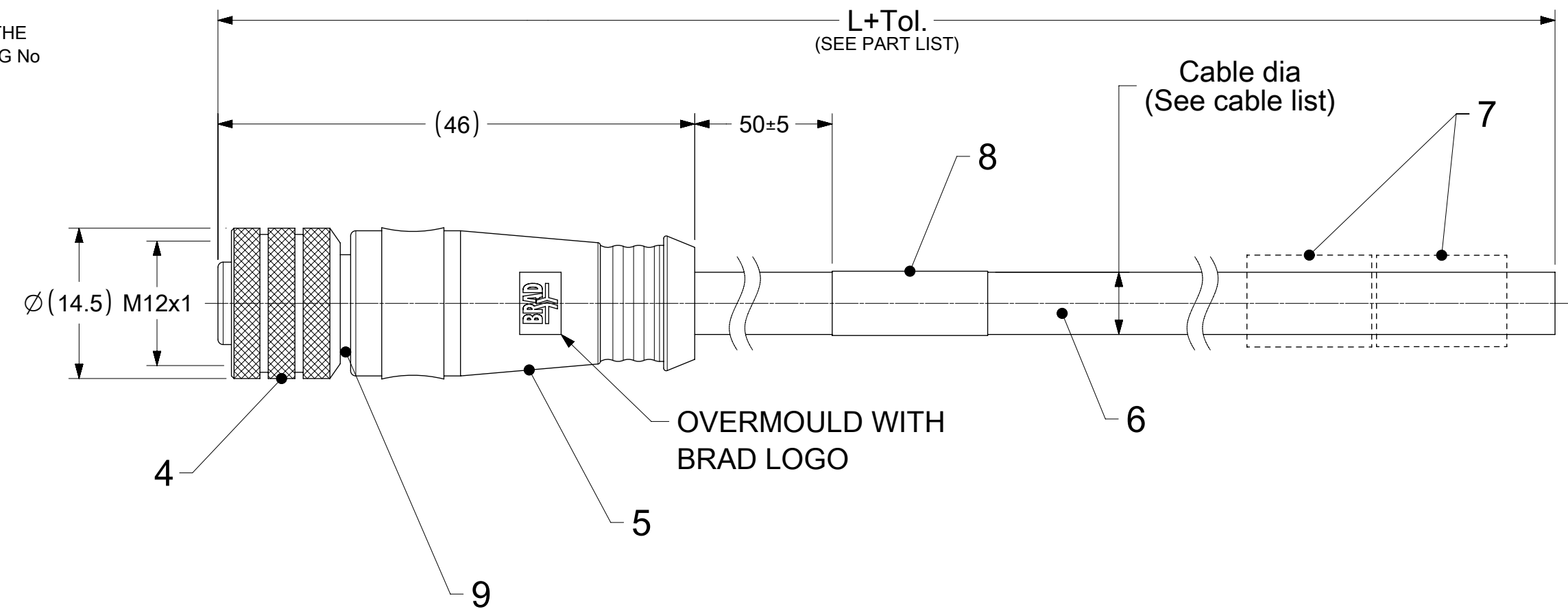
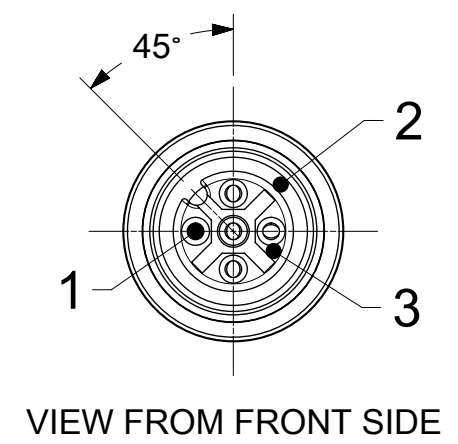
ELECTRICAL DATA:

VOLTAGE RATING: 3/4P 250V
 VOLTAGE RATING: 5P 60V
 AMPERAGE RATING: 3/4/5P 4A
 INSULATION RESISTANCE: 10⁸ Ω MIN.
 MATING CYCLES: MIN. 100
 ENVIRONMENTAL:
 PROTECTION: IP67
 OPERATING TEMPERATURE: -25°C TO +85°C

FOR CABLES Ixx USE PRINTING ON THE CABLE WITH THE SAME MEASUREMENT LIKE FOR LABEL - ENGINEERING No



SCALE 1:2



VIEWS FROM THE FRONT SIDE

3 POLE		4 POLE		5 POLE	
1	3	1	2	1	2
2	3	2	3	2	3
3	4	3	4	3	4
PIN	COLOR	PIN	COLOR	PIN	COLOR
1	BN	1	BN	1	BN
2	---	2	WH	2	WH
3	BU	3	BU	3	BU
4	BK	4	BK	4	BK
				5	GY or GN-YE

BOM

ITEM	QTY.	DESCRIPTION	MATERIAL	FINISH/COLOR
9	1	SHEILD SLEEVE	BRASS	Ni-PLATED
8	1	LABEL	VINYL	YELLOW
7	2	ID-CARRIERS	---	---
6	-	CABLE	SEE SHEET 2	SEE SHEET 2
5	-	OVERMOULDING	TPU	BLACK
4	1	COUPLING NUT FEMALE	BRASS	NICKEL
3	1	INSERT FEMALE	PUR/TPU	BLACK
2	2	O-RING	FPM	RED
1	3/4/5	CONTACT FEMALE	BRASS	SELECTIVE Au OVER Ni

CABLE LENGTH TOLERANCES

OVER [mm]	UP TO AND INCLUDING [mm]	TOLERANCES [mm]
0	305	+19
305	915	+45
915	1830	+56
1830	3660	+89
3660	7320	+165
7320	14640	+317
14640	30500	+610
30500	>	+2% of finished length

THIS DRAWING CONTAINS INFORMATION THAT IS PROPRIETARY TO MOLEX ELECTRONIC TECHNOLOGIES, LLC AND SHOULD NOT BE USED WITHOUT WRITTEN PERMISSION

DIMENSION UNITS: mm SCALE: 2:1

GENERAL TOLERANCES (UNLESS SPECIFIED):
 ANGULAR TOL ± 1.0°
 4 PLACES ±
 3 PLACES ±
 2 PLACES ± 0.05
 1 PLACE ± 0.3
 0 PLACES ± 0.5

DRAFT WHERE APPLICABLE MUST REMAIN WITHIN DIMENSIONS

THIRD ANGLE PROJECTION

DRWING: SUGEEB 2021/02/22
 CHK'D: GGA 2021/06/02
 APPR: GGA 2021/06/02

INITIAL REVISION:
 DRWN: AKONDRACIUK 2015/09/10
 APPR: MIWASIECZKO 2015/09/29

EC NO: 662770
 CURRENT REV DESC: OBSOLETE PART NUMBERS AS PER PCN#506884

molex

CSE M12 XP AC FE STR
 XXX XM SE SHLD

PRODUCT CUSTOMER DRAWING

DOCUMENT NUMBER: SD-120069-035
 DOC TYPE: PSD
 DOC PART: 001
 REVISION: A3

MATERIAL NUMBER: SEE TABLE
 CUSTOMER: GENERAL MARKET
 SHEET NUMBER: 1 OF 2

ENGINEERING MATRIX

8 0 X S 0 0 X X X X X X X X X X X

OPTIONAL

88=Micro-Change
M12x1
Single ended

Poles:
3=3
4=4
5=5

Shielded Female Straight

Cable type: See table

Units : Meter

Length examples:
005=0.5
010=1
100=10

Overmold color:
Blank=BK TPU
Blank=YE for cables A09, S19, S20, S26
Blank=YE TPE-E for cables K03, K05
A=GY | G= BK | Y= YE

Coupling Nut:
Blank (Standard)=Knurled Brass Ni Plated
1=Hexagonal Stainless steel

H= 2pcs. of I/D Carrier



Cables lxx & P82 always with 2 pcs. of I/D Carrier even if no H in Engineering No.

CABLE LIST

CABLE TYPE	CABLE O.D.	NO. OF WIRES	CROSS SECTION	CABLE JACKET	UL	CSA	STATIC: TEMP. / BENDING RADIUS	DYNAMIC: TEMP. / BENDING RADIUS	DRAG CHAIN	SHIELD
I26	6.2mm	5	0.34mm ²	PVC CEI GREY	-	-	-30°C to +70°C	-5°C to +70°C	-	YES
S20	6.3/6.3/6.5 mm	3 / 4 / 5	0.34mm ²	PVC YELLOW	UL 2661/1731	C22.2 II A 105°C/300V	-30°C to +105°C	-	-	YES
P20	5.2/5.5/6.0 mm	3 / 4 / 5	0.34mm ²	PUR BLACK LSOH	-	-	-40°C to +90°C	-25°C to +90°C	-	YES
S26	6.2 mm	5	0.34mm ²	PVC YELLOW	UL 2661/1731	C22.2 II A 105°C/300V	-30°C to +105°C	-	-	YES

PART LIST

No.	Part No.	Engineering No.	Cable Length	No.	Part No.	Engineering No.	Cable Length
1	1200100084	803S00P20M030	3000	21	1200699460	804S00S20M040	4000
2	1200100127	803S00S20M100	10000	22	1200699499	804S00S20M050	5000
3	1200698007	803S00P20M020	2000	23	1200699626	804S00P20M300	30000
4	1200698008	803S00P20M050	5000	24	1200100014	805S00P20M100	10000
5	1200698009	803S00P20M100	10000	25	1200100048	805S00P20M050	5000
6	1200698426	803S00S20M200	20000	26	1200100081	805S00P20M150	15000
7	1200100007	804S00P20M020	2000	27	1200698002	805S00P20M015	1500
8	1200100008	804S00P20M050	5000	28	1200698055	805S00P20M020	2000
9	1200100009	804S00P20M250	25000	29	1200698059	805S00S26M006	600
10	1200100043	804S00P20M100	10000	30	1200698125	805S00S26M050	5000
11	1200100096	804S00P20M070	7000	31	1200698126	805S00S26M150	15000
12	1200698013	804S00P20M040	4000	32	1200698145	805S00P20M020G	2000
13	1200698014	804S00P20M150	15000	33	1200698158	805S00I26M100	10000
14	1200698015	804S00S20M070	7000	34	1200698159	805S00I26M250	25000
15	1200698053	804S00P20M200	20000	35	1200698398	805S00P20M010	1000
16	1200698070	804S00P20M0501	5000	36	1200698484	805S00P20M100H	10000
17	1200698071	804S00P20M400	40000	37	1200698753	805S00P20M0501	5000
18	1200698156	804S00S20M0501	5000	38	1200698754	805S00P20M1501	15000
19	1200698348	804S00P20M060	6000	39	1200699414	805S00P20M600	60000
20	1200698445	804S00P20M010	1000	40	1200699416	805S00P20M030	3000

THIS DRAWING CONTAINS INFORMATION THAT IS PROPRIETARY TO MOLEX ELECTRONIC TECHNOLOGIES, LLC AND SHOULD NOT BE USED WITHOUT WRITTEN PERMISSION									
DIMENSION UNITS	SCALE	CURRENT REV DESC: OBSOLETE PART NUMBERS AS PER PCN#506884							
mm	1:1	 CSE M12 XP AC FE STR XXX XM SE SHLD							
GENERAL TOLERANCES (UNLESS SPECIFIED)									
ANGULAR TOL	± 1.0°	PRODUCT CUSTOMER DRAWING							
4 PLACES	±	EC NO: 662770	2021/02/22						
3 PLACES	±	DRWN: SUGEEB	2021/06/02						
2 PLACES	± 0.05	CHK'D: GGA	2021/06/02						
1 PLACE	± 0.3	APPR: GGA	2021/06/02						
0 PLACES	± 0.5	INITIAL REVISION:		DOCUMENT NUMBER					
DRAFT WHERE APPLICABLE MUST REMAIN WITHIN DIMENSIONS		THIRD ANGLE PROJECTION		DRAWING	SERIES	MATERIAL NUMBER	CUSTOMER	DOC TYPE	DOC PART
				B-SIZE	120069	SEE TABLE	GENERAL MARKET	PSD	001
								REVISION	A3
								SHEET NUMBER	
								2 OF 2	