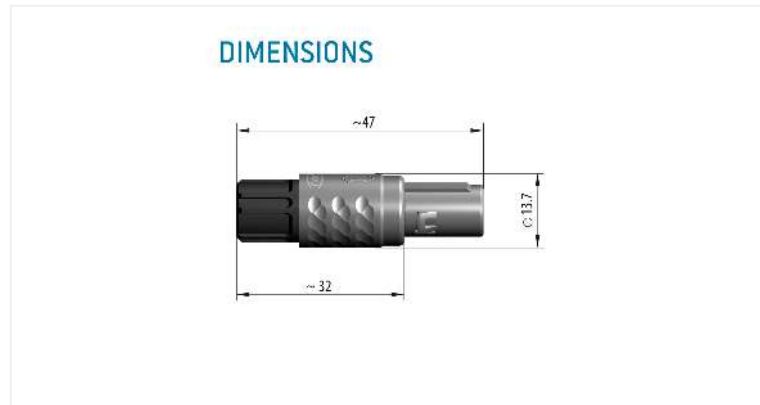


# S11ME7-P10MCC0-5220 medi\_snap, type\_s1



## General information

Part number	S11ME7-P10MCC0-5220
Termination	solder
Size	1
Locking principle	push
Coding	e_key_medi
Cable Diameter	cable_medi_52
Cable outlet	standard



## Contact insert description

Number of contacts	10
Contact type	pins
Contact diameter	05mm
Insulator material	peek
Wire cross section	28_awg
Termination	solder
Termination diameter	045mm

reverse\_gender\_on\_request

## Technical information

Max. creepage and air clearance distance	05_mm	
Nominal current single contact	04_a	iec_60512_5_2
Nominal current insert	2,2 A	vde_0298_4
Test voltage	135_kv_dc	sae_13441

safety\_text

## Mechanical and environmental data

Degree of protection*	ip50
Operating temperature	50_120_c
Mating cycles	2000

mated\_unmated

## Insulator materials MEDI-SNAP®

psu\_peek

## Material and surface treatments

Housing	psu_gray
Color option	red
Contact	cu_alloy_gold

safety\_text\_2  
ul\_text  
illustrative\_text