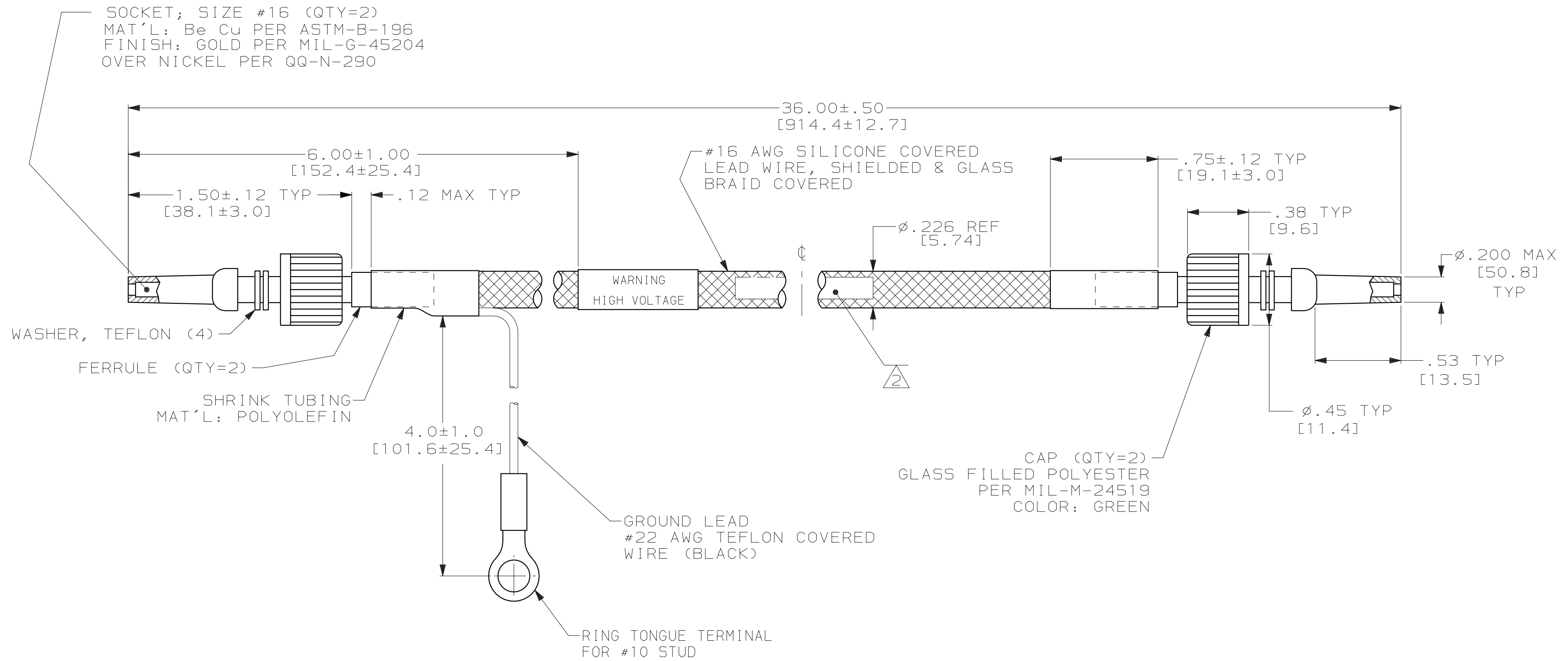


THIS DRAWING IS UNPUBLISHED. RELEASED FOR PUBLICATION
 BY AMP INCORPORATED. ALL RIGHTS RESERVED.

LOC		DIST		REVISIONS			
P	LTR	DESCRIPTION		DATE	DWN	APVD	
DF	SO	0	RELEASED	4-01	CT	DE	



- OPERATING VOLTAGE: 10 KVDC AT 0 TO 70,000 FEET, -55°C TO 125°C.
- MARKED PER MIL-STD-130 WITH BLACK INK.
- LEAD COLOR IS WHITE UNLESS OTHERWISE SPECIFIED.
- LEAD WILL MATE WITH AMP 1/2 RECEPTACLE WITH .53 [13.5] BARREL DEPTH.

1484224-1
PART NO.

THIS DRAWING IS A CONTROLLED DOCUMENT.		DWN	C.C. THOMAS	4-12-01	TYCO Electronics Corporation Harrisburg, PA 17105-3608		
DIMENSIONS: INCHES [mm]		CHK	D. EABY	4-12-01			
TOLERANCES UNLESS OTHERWISE SPECIFIED:		APVD	D. EABY	4-12-01			
0 PLC ±- 1 PLC ±- 2 PLC ±.02 [0.5] 3 PLC ±- 4 PLC ±- ANGLES ±-		PRODUCT SPEC	-				
MATERIAL: SEE CALLOUTS		FINISH	SEE CALLOUTS		NAME	LEAD ASSY, DBL END, SHIELDED, LGH-1/2	
WEIGHT		-		SIZE	A2		
CUSTOMER DRAWING		SCALE		2:1	CAGE CODE	A200779	
DRAWING NO		1484224		DRAWING NO	1484224		
RESTRICTED TO		-		SHEET	1	OF	1
REV		0					