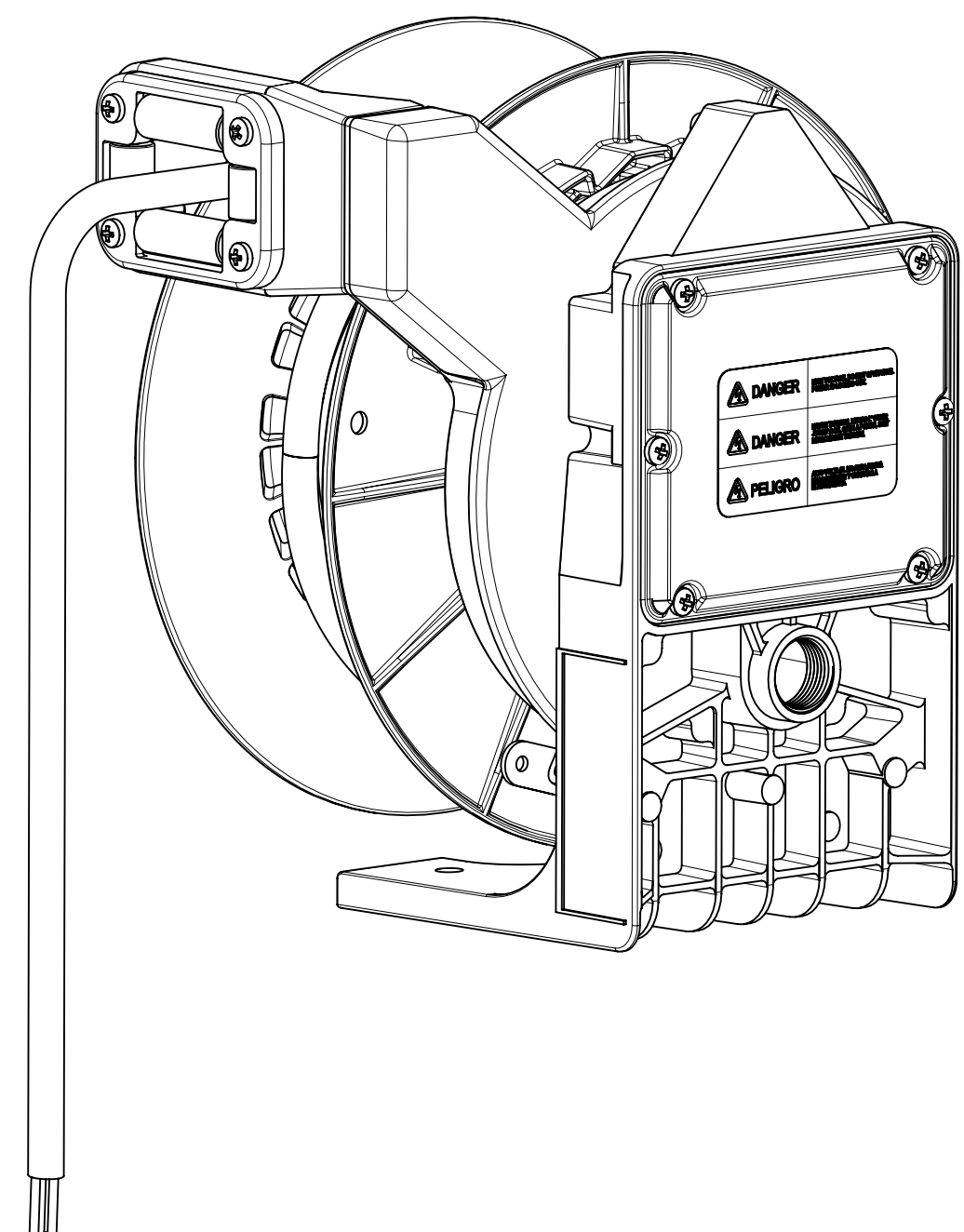
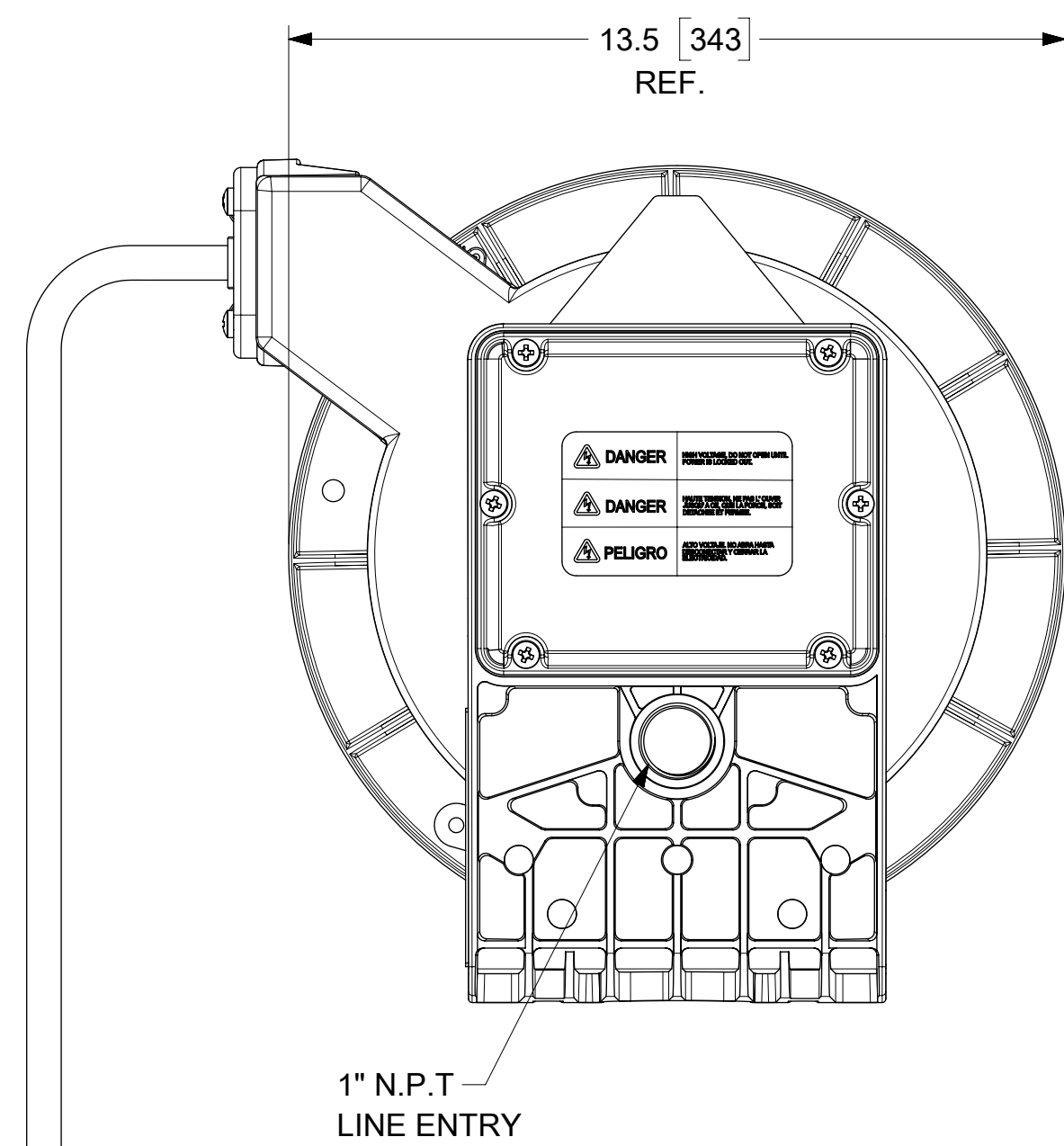
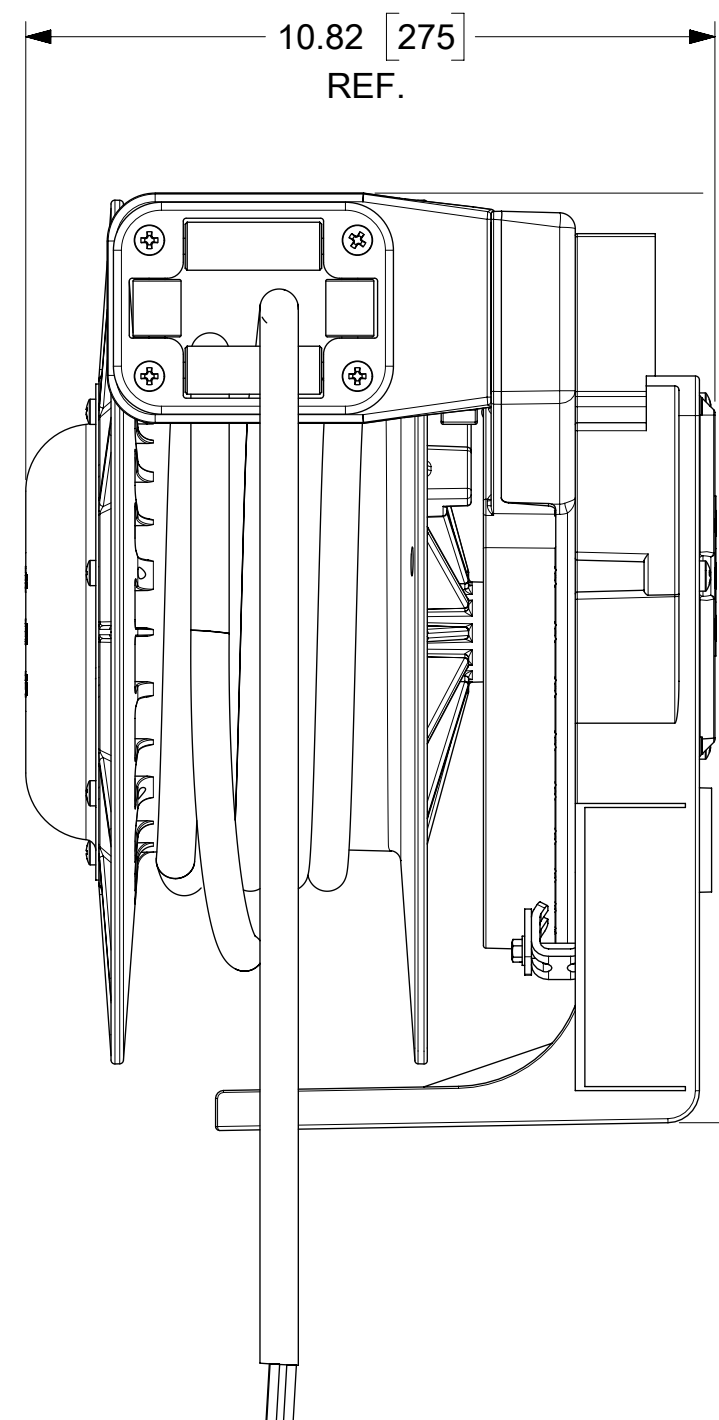
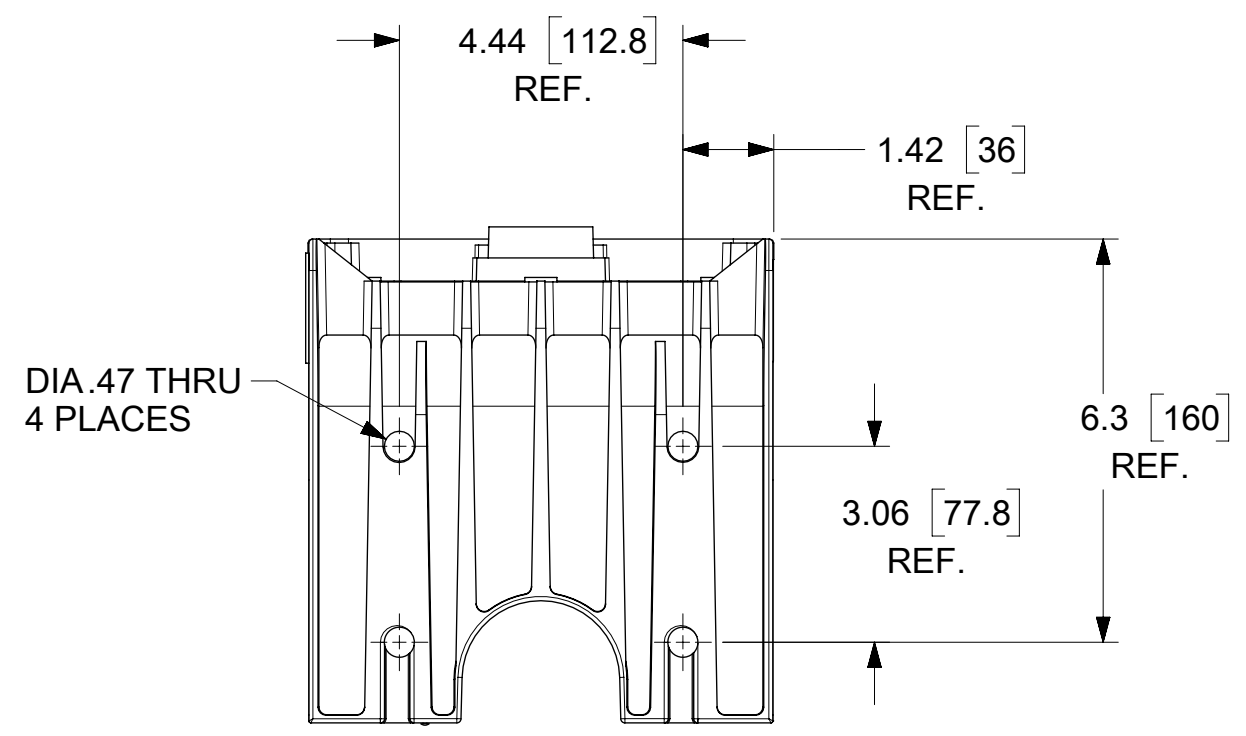


ORDER NO	130083-0222
WOODHEAD ENG. NO	9206
WIRE GAUGE	16
CONDUCTORS	6
AMPERAGE	7A
WORKING CORD	45 FT. BLACK
CORD TYPE	SOW
CONSTRUCTION	HEAVY WALL CAST ALUMINUM
PAINT	YELLOW POWDER COAT
REEL ENCLOSURE RATING	NEMA 4 INDOOR / OUTDOOR
RETRACTION WEIGHT	4.0 LB [1.8 KG]



FLYING LEAD



**BOTTOM VIEW**

**NOTES:**

1. CABLE GUIDE IS ADJUSTABLE EVERY 5 DEGREES OVER 270 DEGREE ARC.
2. RATCHET LOCK IS EASY TO DISENGAGE FOR CONSTANT TENSION.
3. REEL CANNOT BE "LOCKED OUT" AT FULL EXTENSION.

FUNCTIONAL SYMBOLS	THIS DRAWING CONTAINS INFORMATION THAT IS PROPRIETARY TO MOLEX ELECTRONIC TECHNOLOGIES, LLC AND SHOULD NOT BE USED WITHOUT WRITTEN PERMISSION		
	DIMENSION UNITS	SCALE	CURRENT REV DESC: RELEASE CUSTOMER DRAWING
$F_A = 0$	INCH/MM	NTS	<p><b>molex</b></p> <p>CORD REEL - INDUSTRIAL DUTY 45' #16-6 SOOW</p> <p>PRODUCT CUSTOMER DRAWING</p> <p>DOCUMENT NUMBER: 1300830222   DOC TYPE: PSD   DOC PART: 000   REVISION: A</p> <p>MATERIAL NUMBER: SEE TABLE   CUSTOMER: GENERAL MARKET   SHEET NUMBER: 1 OF 1</p>
$F_C = 0$	GENERAL TOLERANCES (UNLESS SPECIFIED)		
$F_D = 0$	MM	INCH	
DIVISIONAL SYMBOLS	4 PLACES	±	
	3 PLACES	± 0.005	
	2 PLACES	± 0.13 ± 0.01	
	1 PLACE	± 0.25 ± 0.02	
	0 PLACES	±	
	ANGULAR TOL	± 0.5°	
	DRAFT WHERE APPLICABLE MUST REMAIN WITHIN DIMENSIONS	THIRD ANGLE PROJECTION	DRAWING: C-SIZE
		SERIES: 130083	