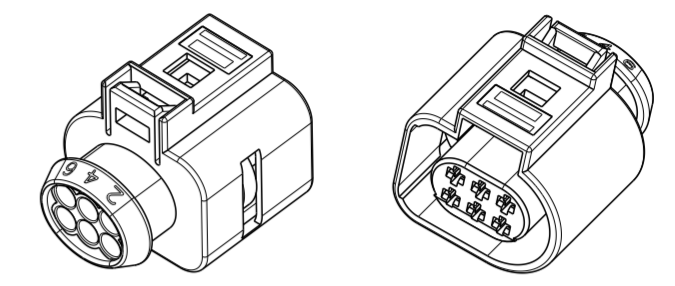
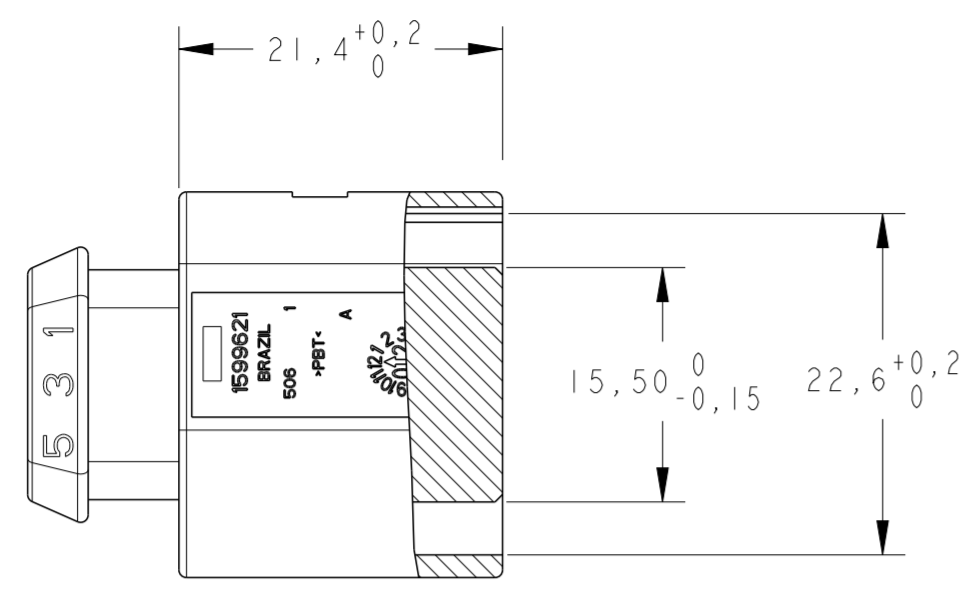


THIS DRAWING IS UNPUBLISHED. RELEASED FOR PUBLICATION 20
 © COPYRIGHT 20 BY - ALL RIGHTS RESERVED.

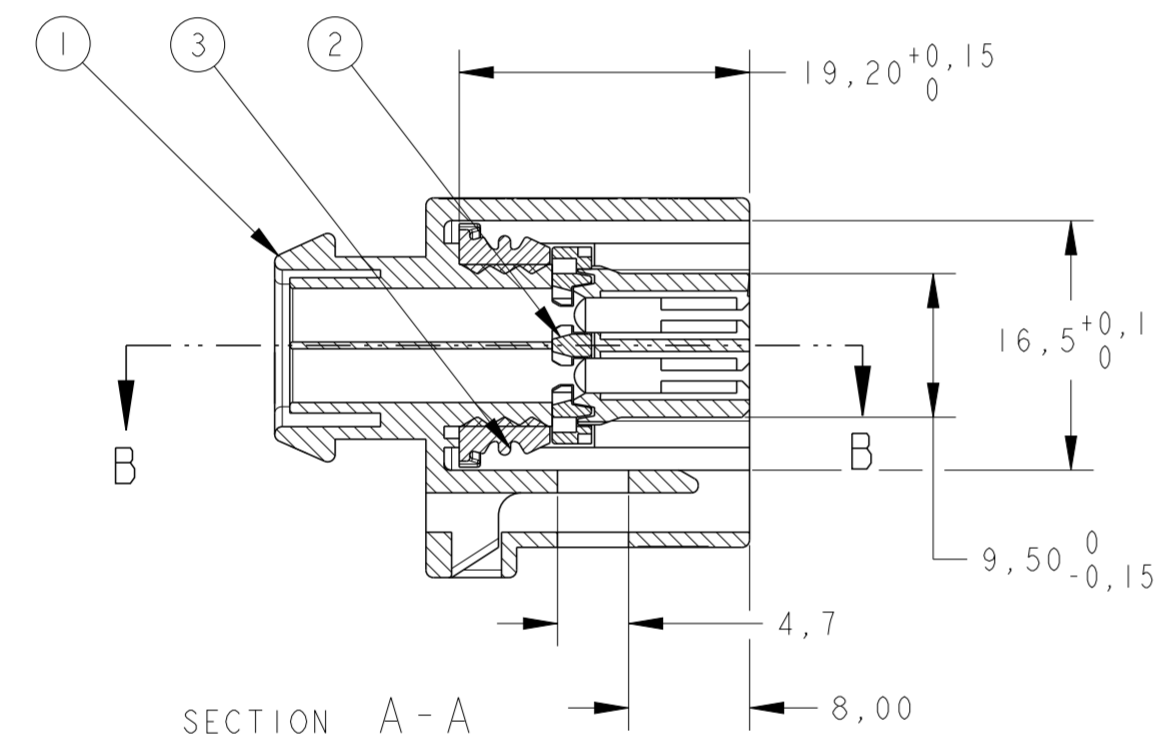
LOC	DIST	REVISIONS			
P	LTR	DESCRIPTION	DATE	DWN	APVD
AP	-				
	A1	REVISED DESIGN ECO-09-004883	26FEB2009	NCL	WAO
	A2	REVISED DESIGN ECO-13-010219	25JUN2013	NCL	GOJ



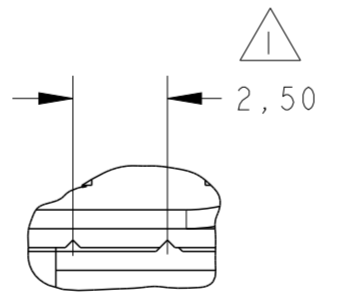
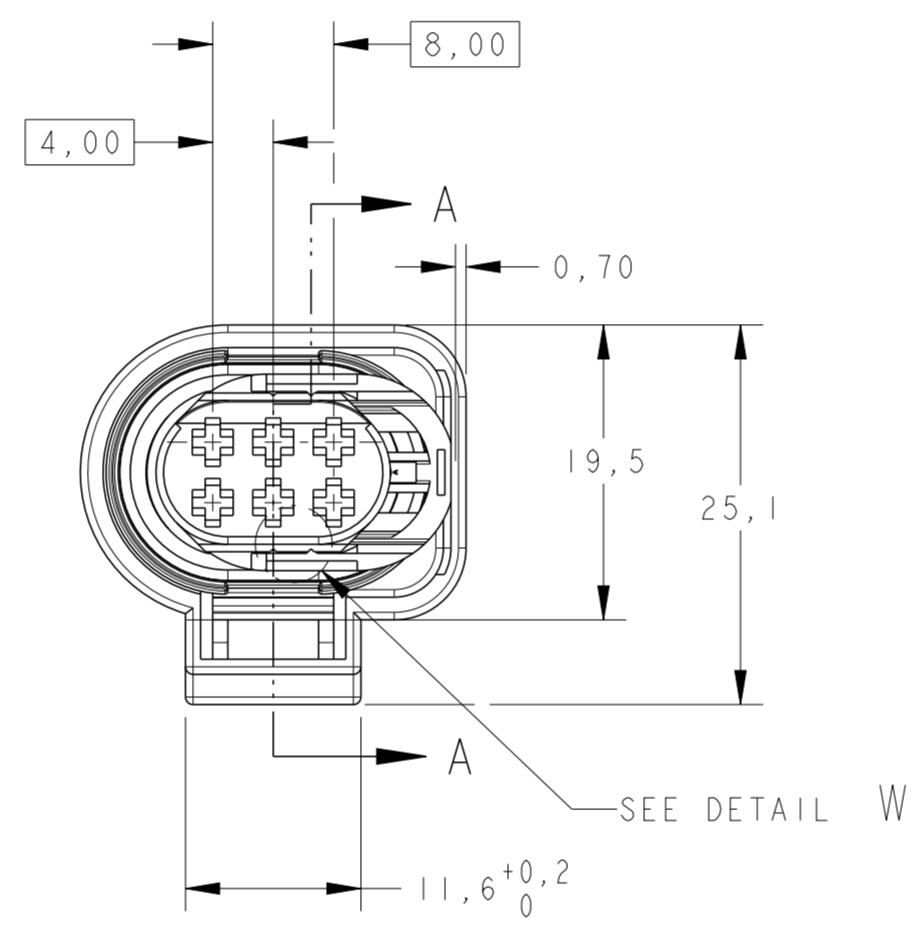
PERPECTIVE VIEWS
SCALE 1:1



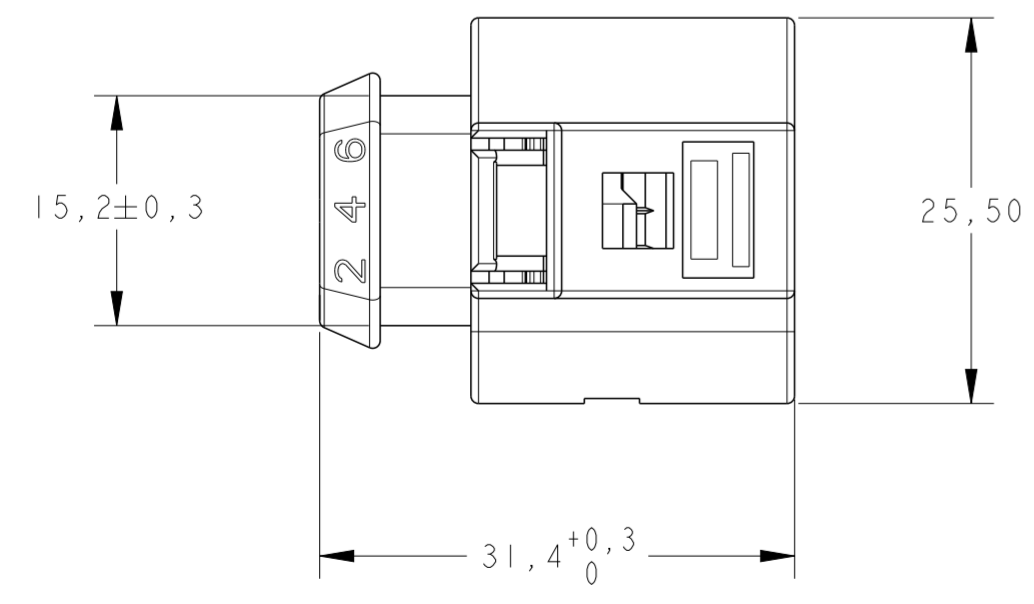
SECTION B-B



SECTION A-A



DETAIL W
SCALE 5:1



GRAVAÇÕES MARKINGS	
LOGOTIPO TE	TE LOGO
CÓDIGO PAÍS PRODUTOR	MANUFACTURER COUNTRY CODE
NOMENCLATURA MATERIAL	MATERIAL NOMENCLATURE
NÚMERO COMPONENTE TE	TE COMPONENT NUMBER
NÚMERO CAVIDADE	CAVITY NUMBER
RELÓGIO DATADOR	DATE CODE
PAÍS PRODUTOR	MANUFACTURER COUNTRY
REV+ LETRA REV.DA PEÇA	REV.+ PART REV.LETTER
IDENTIFICAÇÃO CIRCUITO	CIRCUIT IDENTIFICATION

1 - FORNECIDO COMO MOSTRADO NA POSIÇÃO DE PRE-TRAVAMENTO. APÓS A INSERÇÃO DOS CONTATOS, EMPURRAR 2,0mm

SHOW AS SUPPLIED,RETAINER IN PRE-LOCKED POSITION. AFTER CONTACT LOADING,TO PUSH 2,0mm

2 - EMBALADO À GRANEL

-BULK PACKAGED

REQ.PER ASSY	ITEM	DESCRIPTION	MATERIAL	FINISH
	3	SEAL, 6 POSN., MT2, RCPT.	SILICONE	LARANJA / ORANGE
	2	SPACER, 6 POSN., MT2, RCPT	PBT + 10%GF	VIOLETA / VIOLET
	1	HOUSING, 6 POSN, MT2, RCPT.	PBT	PRETO / BLACK
1599620	-2	ITEM		

THIS DRAWING IS A CONTROLLED DOCUMENT.		DWN	11FEB2009	 TE Connectivity
		CHK	NCLAPRESA 11FEB2009	
		APVD	WAOLIVEIRA 11FEB2009	
		NAME	WAOLIVEIRA	
DIMENSIONS: mm		TOLERANCES UNLESS OTHERWISE SPECIFIED:		PRODUCT SPEC
		0 PLC ±		108-37098
		1 PLC ±0.2		APPLICATION SPEC
		2 PLC ±0.10		
		3 PLC ±		SIZE
		4 PLC ±		CAGE CODE
		ANGLES ±1°		DRAWING NO
MATERIAL		FINISH		RESTRICTED TO
		WEIGHT 0,0078kg		SCALE 2:1
		CUSTOMER DRAWING		SHEET 1 OF 1
		A200779C-1599620		REV A2