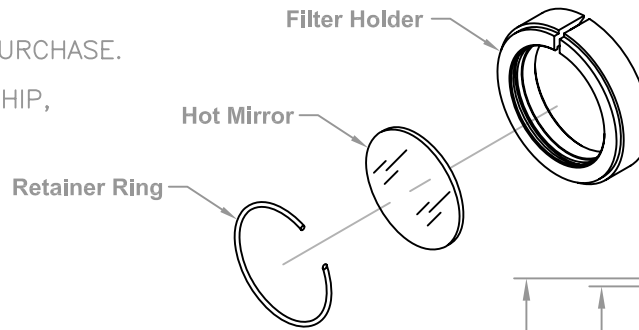


This document contains confidential and proprietary information of Excelitas Technologies. The contents shall not be disclosed, reproduced, duplicated, disseminated or used for purposes other than authorized in writing by Excelitas Technologies.

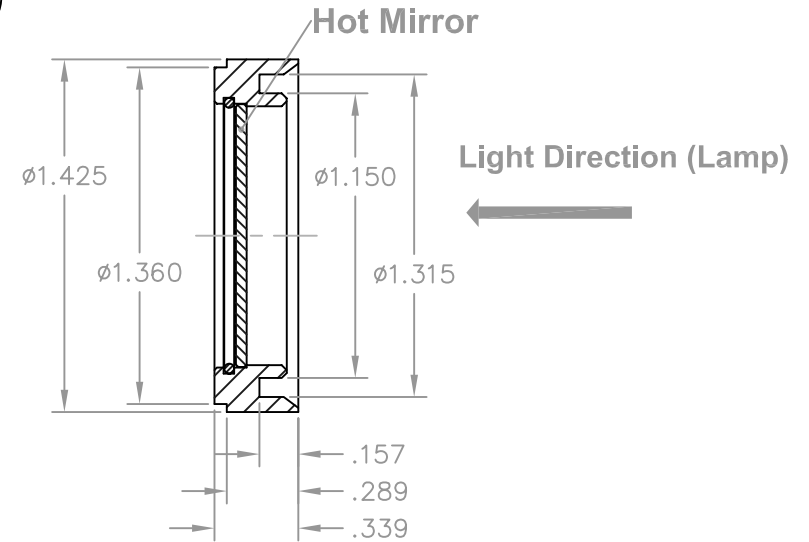
REVISIONS				
ZONE	REV.	DESCRIPTION	DATE	APPROVED
	A	REL/ECN 168128	02/21/06	K.TONG
	B	REV/ECN 171250	02/23/11	H.VUONG
	C	REV/ECN 172037	03/18/11	H.VUONG

**NOTES:**

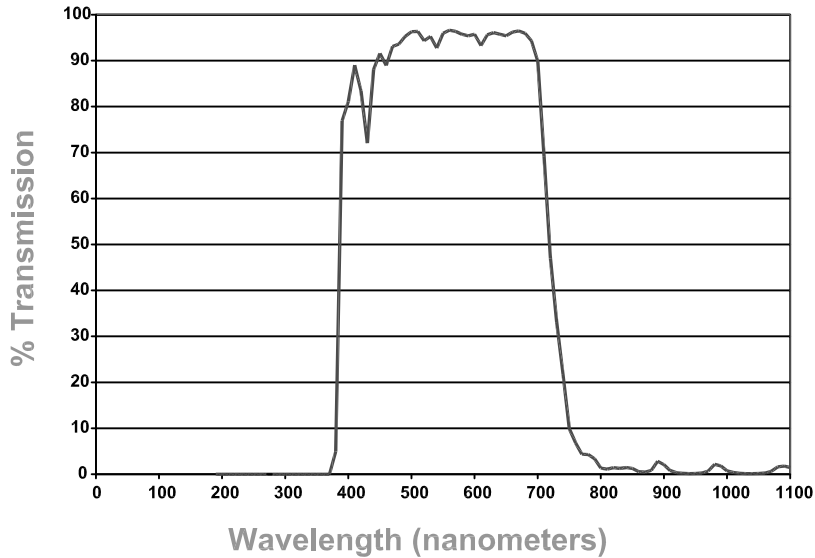
1. INTENDED FOR USE WITH CERMAX LAMPS UP INTO 300 WATTS.
2. WARRANTY: 12 MONTHS FROM DATE OF PURCHASE.
3. WARRANTY COVERS MATERIALS, WORKMANSHIP, AND INITIAL PERFORMANCE.



UNCONTROLLED COPY



**NOMINAL TRANSMISSION:**



**INTERFACE CONTROL DRAWING**

UNLESS OTHERWISE SPECIFIED DIMENSIONS ARE IN INCHES TOLERANCES ARE: FRACTIONS ± 1/64 DECIMALS .XX ± .02 XXX ± .005 ANGLES ± 1° SURFACE ROUGHNESS: 125 ✓		CONTRACT NO.		EXCELITAS TECHNOLOGIES 44370 Christy Street Fremont, CA 94538	
MATERIAL:		APPROVALS		DATE	
FINISH:		DRAWN BY K. TONG		03/19/02	
		CHECKED			
		ENGR. K. TONG		03/19/02	
		PROJ. ENGR. K. TONG		03/19/02	
		QA			
		M & P			
		SCALE NONE		DO NOT SCALE DRAWING	
		SIZE B		CAGE CODE 31573	
		DWG. NO. 227941		REV. C	
		SHEET 1 OF 1			

TITLE: **HOT MIRROR FILTER ASSEMBLY A2-003**