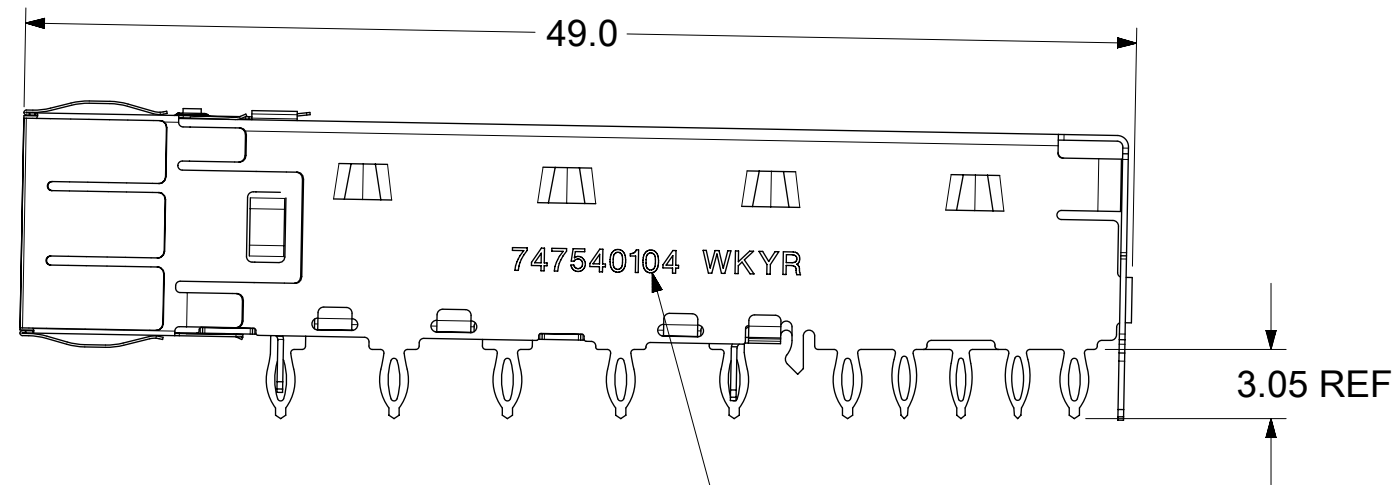
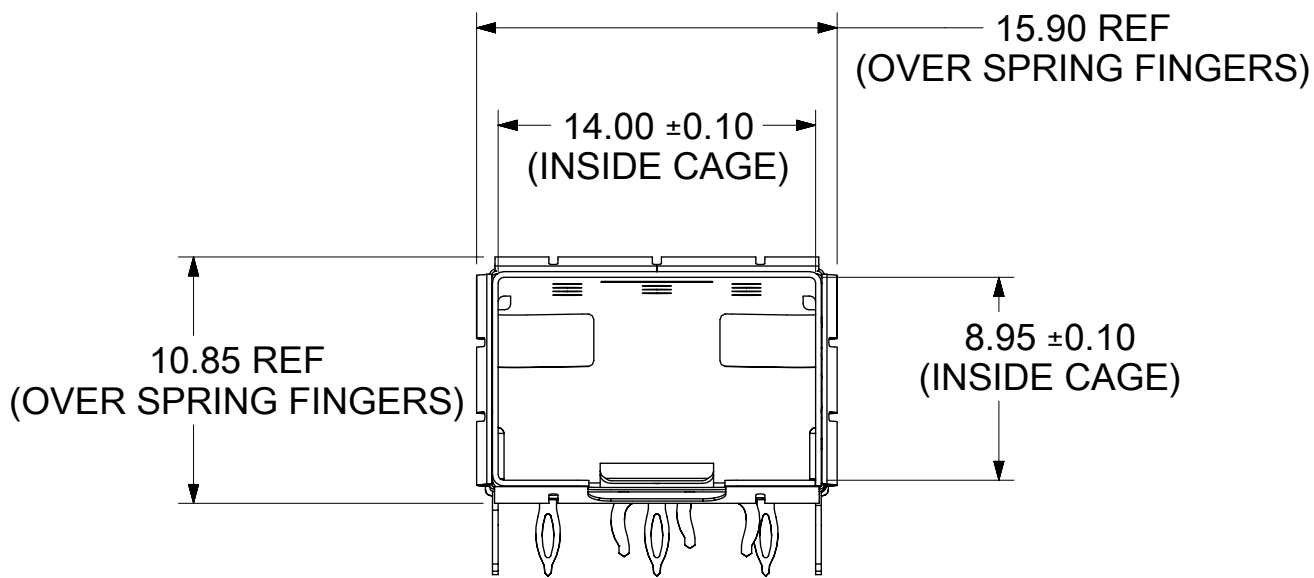


EMI SPRING FINGER



747540104 WKYR

PART NO. AND WEEK/YEAR DATE CODE TO BE STAMPED ON THE SIDE OF COMPLETED CAGE ASSEMBLY APPROXIMATELY AS SHOWN

WEEK/YEAR DATE CODE TABLE	
WK	01 THRU 52 OR 53 EXAMPLE: 01 = FIRST WEEK OF YEAR 52= LAST WEEK OF THE YEAR
YR	22, 23, 24 ETC. EXAMPLE: YEAR 2022 = 22

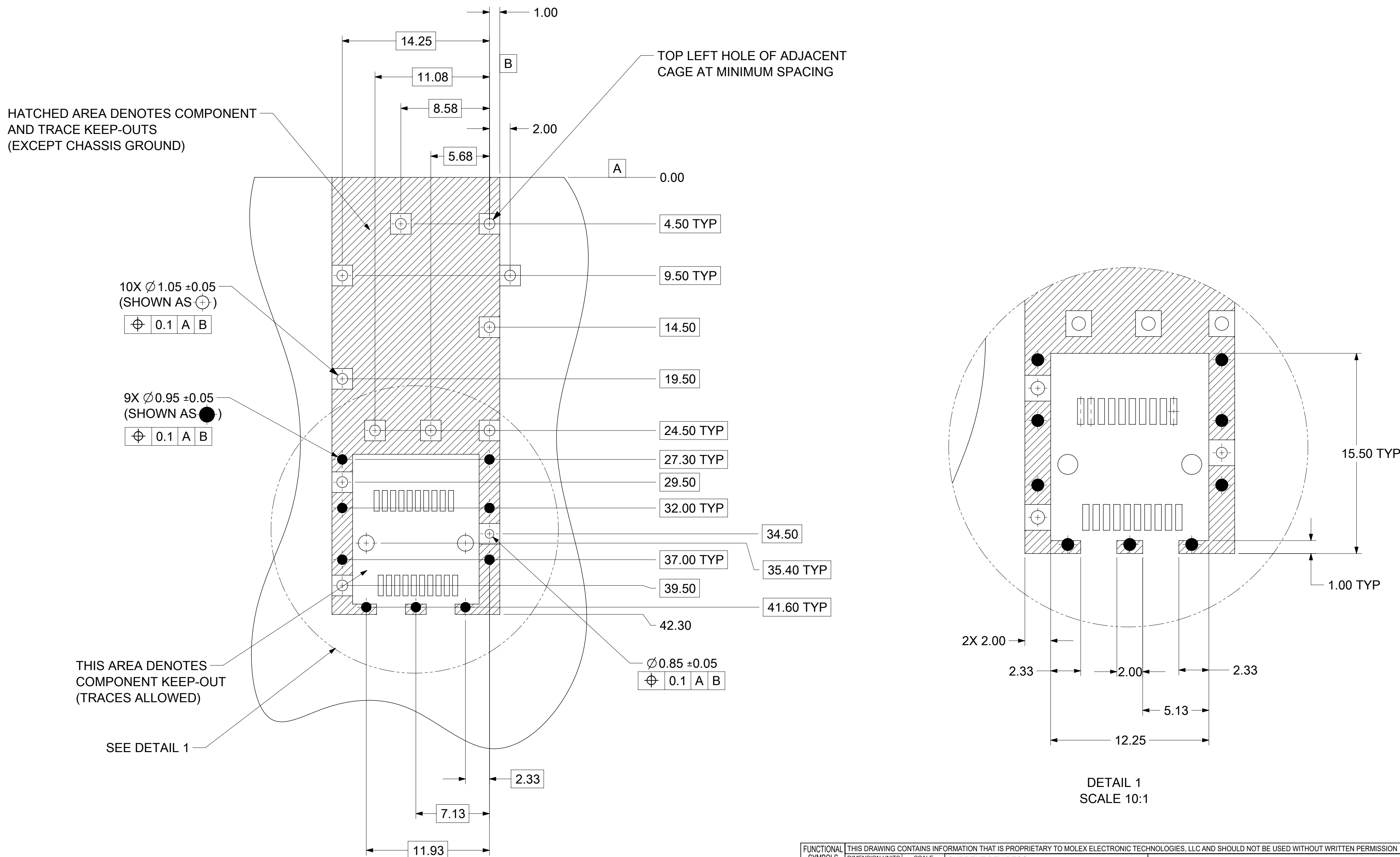
NOTES:

- MATERIAL:
CAGE: NICKEL PLATED COPPER ALLOY, THICKNESS 0.25mm
SPRING FINGER: STAINLESS STEEL
- PRESS FIT LEGS 3.05 LONG -
1.57 MINIMUM PCB THICKNESS FOR SINGLE SIDED USE
- PORTS ARE DESIGNED FOR SFP+ TRANSCEIVERS AND ARE BACKWARDS
COMPATIBLE WITH SFP TRANSCEIVERS
- NO RoHS EXEMPTIONS.

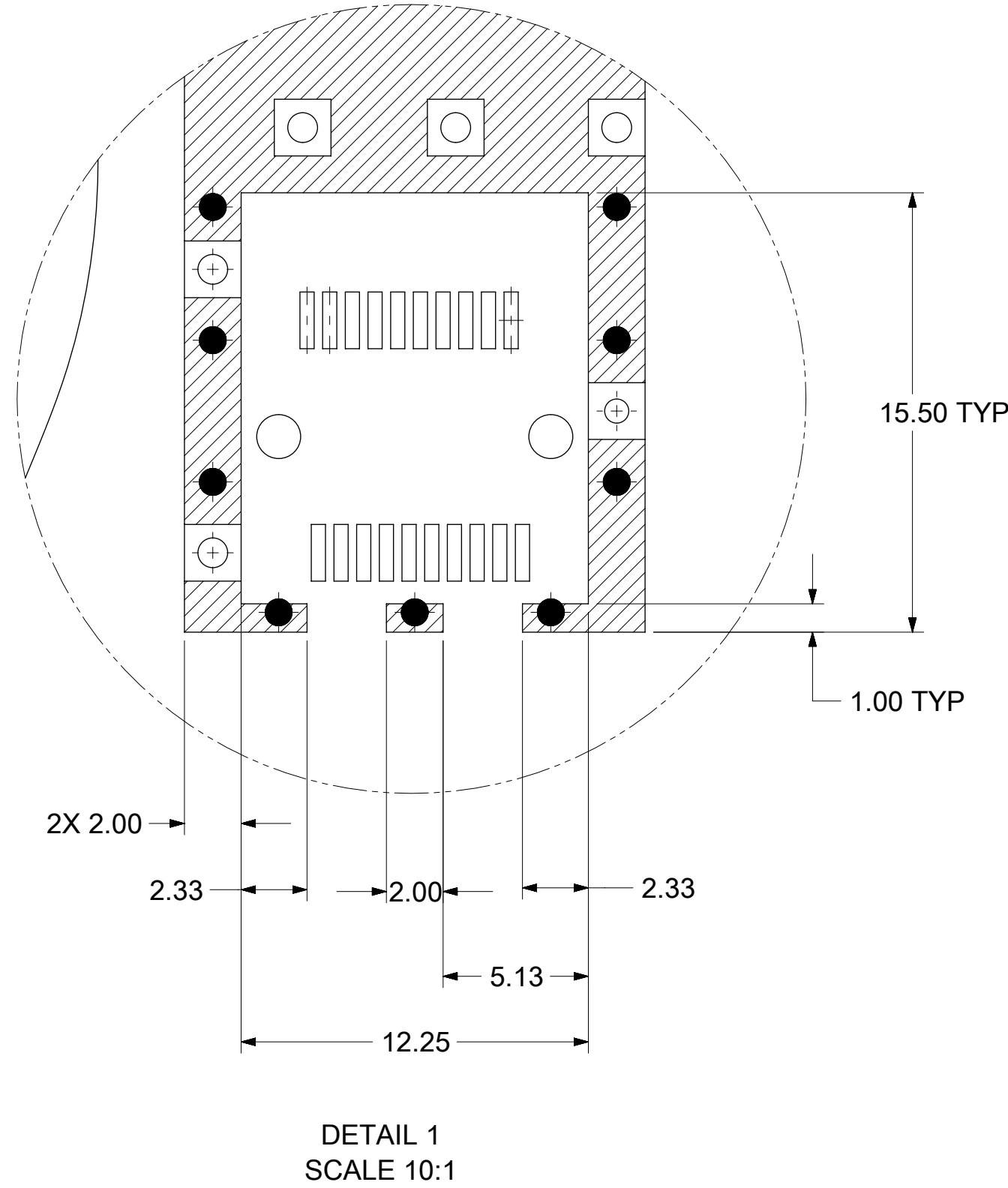
FUNCTIONAL SYMBOLS	THIS DRAWING CONTAINS INFORMATION THAT IS PROPRIETARY TO MOLEX ELECTRONIC TECHNOLOGIES, LLC AND SHOULD NOT BE USED WITHOUT WRITTEN PERMISSION		CURRENT REV DESC:						
	DIMENSION UNITS	SCALE							EC NO: 725270
DIVISIONAL SYMBOLS	GENERAL TOLERANCES (UNLESS SPECIFIED)		CHK'D: SMALLESHAPPA		2022/10/19	PRODUCT CUSTOMER DRAWING			
	ANGULAR TOL ± 1.0°		APPR: SCHIEN		2022/10/19	INITIAL REVISION:			
	4 PLACES ±		DRWN: PGSHETTY		2017/01/25	DOCUMENT NUMBER	DOC TYPE	DOC PART	REVISION
	3 PLACES ±		APPR: RCHEN08		2017/04/06	747540104	PSD	ASY	D1
2 PLACES ± 0.15		DRAFT WHERE APPLICABLE MUST REMAIN WITHIN DIMENSIONS		THIRD ANGLE PROJECTION	DRAWING	SERIES	MATERIAL NUMBER	CUSTOMER	SHEET NUMBER
1 PLACE ± 0.25		C-SIZE		74754	747540104			1 OF 4	
0 PLACES ±									

DOCUMENT STATUS	P1	RELEASE DATE	2022/10/19	13:58:00
-----------------	----	--------------	------------	----------

PCB LAYOUT FOR SINGLE SIDE MOUNT

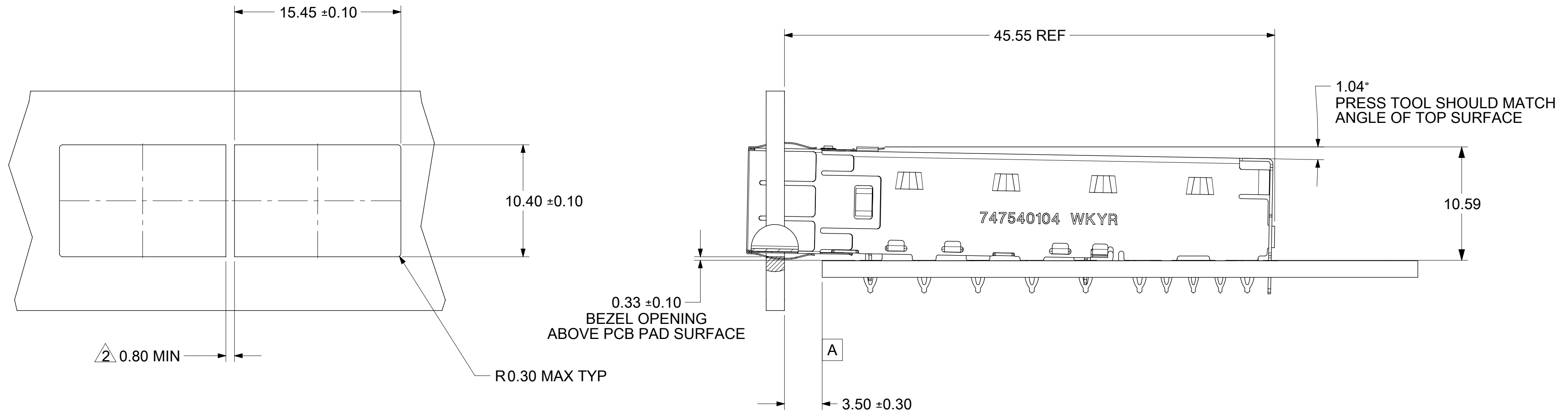


- NOTES:
1. PADS AND VIAS CONNECT TO CHASSIS GROUND (RECOMMEND PADS TO BE 2.00mm SQUARE)
 2. RECOMMENDED THRU HOLE PLATING INCLUDES HASL, OSP, OR IMMERSION (GOLD, SILVER, OR TIN).
 3. CONNECTOR PAD LAYOUT PER SFP+ MSA WILL ACCOMMODATE MOLEX CONNECTOR SERIES 74441 OR EQUIVALENT.



FUNCTIONAL SYMBOLS										THIS DRAWING CONTAINS INFORMATION THAT IS PROPRIETARY TO MOLEX ELECTRONIC TECHNOLOGIES, LLC AND SHOULD NOT BE USED WITHOUT WRITTEN PERMISSION															
DIMENSION UNITS		SCALE		CURRENT REV DESC:																					
mm		4:1		EC NO: 725270																					
GENERAL TOLERANCES (UNLESS SPECIFIED)										DRWN: TKUMARKC 2022/08/10															
ANGULAR TOL ± 1.0°										CHK'D: SMALLESHAPPA 2022/10/19															
4 PLACES ±										APPR: SCHIEN 2022/10/19															
3 PLACES ±										INITIAL REVISION:						DOCUMENT NUMBER				DOC TYPE		DOC PART		REVISION	
2 PLACES ± 0.15										DRWN: PGSHETTY 2017/01/25						747540104				PSD		ASY		D1	
1 PLACE ± 0.25										APPR: RCHEN08 2017/04/06						MATERIAL NUMBER				CUSTOMER		SHEET NUMBER			
0 PLACES ±										DRAFT WHERE APPLICABLE MUST REMAIN WITHIN DIMENSIONS		THIRD ANGLE PROJECTION		DRAWING		SERIES		74754		747540104				2 OF 4	

BEZEL AND BOARD POSITION DIMENSIONS FOR SINGLE SIDE MOUNTING (SPRING FINGER)



NOTE:
 1. PCB THICKNESS VARIATION MUST BE CONSIDERED WHEN DETERMINING BEZEL OPENING LOCATION.
 2. THIS DIMENSION IS FOR REFERENCE ONLY. USER CAN MODIFY UT DEPENDS ON APPLICATION.
 (THIS DIMENSION VARIES BASED ON DISTANCE OF "HOLE OF ADJACENT CAGE" ON PCB LAYOUT.)

FUNCTIONAL SYMBOLS	THIS DRAWING CONTAINS INFORMATION THAT IS PROPRIETARY TO MOLEX ELECTRONIC TECHNOLOGIES, LLC AND SHOULD NOT BE USED WITHOUT WRITTEN PERMISSION		
	DIMENSION UNITS	SCALE	CURRENT REV DESC:
$\nabla_A = 0$	mm	3.5:1	EC NO: 725270 DRWN: TKUMARKC 2022/08/10 CHK'D: SMALLESHAPPA 2022/10/19 APPR: SCHIEN 2022/10/19 INITIAL REVISION: DRWN: PGSHETTY 2017/01/25 APPR: RCHEN08 2017/04/06
$\nabla_C = 0$	GENERAL TOLERANCES (UNLESS SPECIFIED)		
$\nabla_P = 0$	ANGULAR TOL ± 1.0°		
DIVISIONAL SYMBOLS	4 PLACES ±		
	3 PLACES ±		PRODUCT CUSTOMER DRAWING DOCUMENT NUMBER: 747540104 DOC TYPE: PSD DOC PART: ASY REVISION: D1
	2 PLACES ± 0.15		
	1 PLACE ± 0.25		MATERIAL NUMBER: 747540104 CUSTOMER:
	0 PLACES ±		
	DRAFT WHERE APPLICABLE MUST REMAIN WITHIN DIMENSIONS		THIRD ANGLE PROJECTION DRAWING: C-SIZE SERIES: 74754

molex

SFP+ 1X1 PCI CAGE ASY, PRESS FIT
WITH SUS SPRING FINGERS

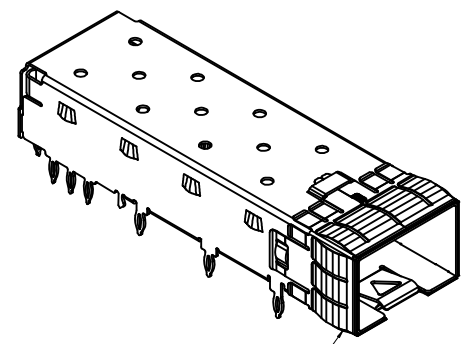
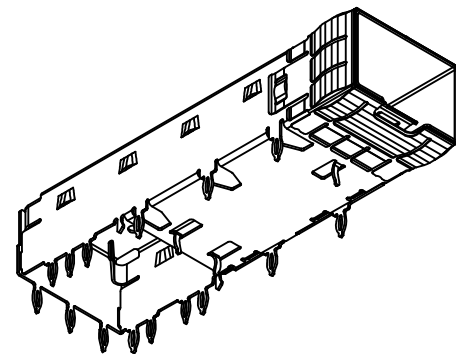
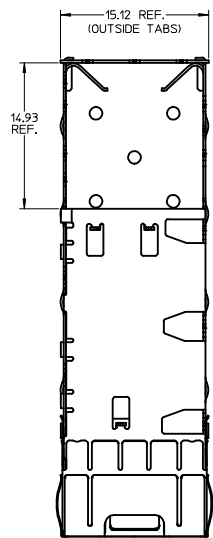
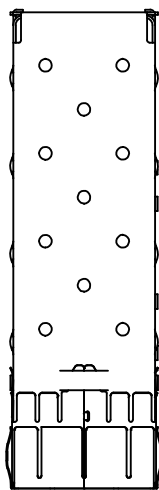
REV	DATE	DESCRIPTION
A	2007/05/23	INITIAL RELEASE
B	2008/03/26	REVISED
C	2013/07/22	REGENERATED ISO VIEW
D	2017/01/20	REMASTERED FROM "SD-74754-0104 REV_C" TO "747540104 PSD ASY REV_D" IN NX SHEET 1 : B7 : ADDED DATE CODE TABLE SHEET 3 : E8 : ADDED DIM R 0.30 MAX TYP
D1	2022/10/13	SHEET 01: A11: CHANGED SPRING FINGER MATERIAL FROM COPPER ALLOY TO STAINLESS STEEL.

FUNCTIONAL SYMBOLS	THIS DRAWING CONTAINS INFORMATION THAT IS PROPRIETARY TO MOLEX ELECTRONIC TECHNOLOGIES, LLC AND SHOULD NOT BE USED WITHOUT WRITTEN PERMISSION									
$\nabla_A = 0$ $\nabla_C = 0$ $\nabla_P = 0$	DIMENSION UNITS	SCALE	CURRENT REV DESC:							
	mm	1:1	EC NO: 725270 DRWN: TKUMARKC 2022/08/10 CHK'D: SMALLESHAPPA 2022/10/19 APPR: SCHIEN 2022/10/19 INITIAL REVISION: DRWN: PGSHETTY 2017/01/25 APPR: RCHEN08 2017/04/06							
	GENERAL TOLERANCES (UNLESS SPECIFIED)									
DIVISIONAL SYMBOLS	ANGULAR TOL	± 1.0°	PRODUCT CUSTOMER DRAWING							
	4 PLACES	±	DOCUMENT NUMBER							
	3 PLACES	±	747540104							
	2 PLACES	± 0.15	DOC TYPE DOC PART REVISION							
	1 PLACE	± 0.25	PSD ASY D1							
	0 PLACES	±	MATERIAL NUMBER CUSTOMER SHEET NUMBER							
DRAFT WHERE APPLICABLE MUST REMAIN WITHIN DIMENSIONS		THIRD ANGLE PROJECTION	DRAWING	SERIES	MATERIAL NUMBER		CUSTOMER		SHEET NUMBER	
			C-SIZE	74754	747540104				4 OF 4	

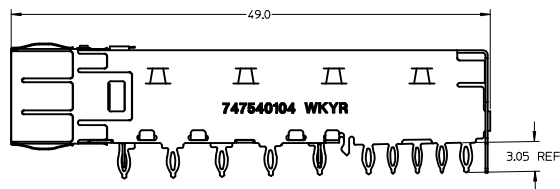
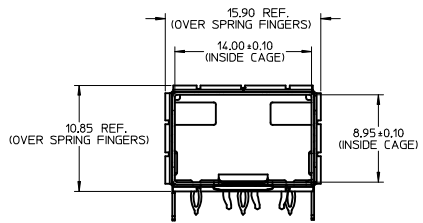


SFP+ 1X1 PCI CAGE ASY, PRESS FIT WITH SUS SPRING FINGERS

20 19 18 17 16 15 14 13 12 11 10 9 8 7 6 5 4 3 2 1



EMI SPRING FINGER

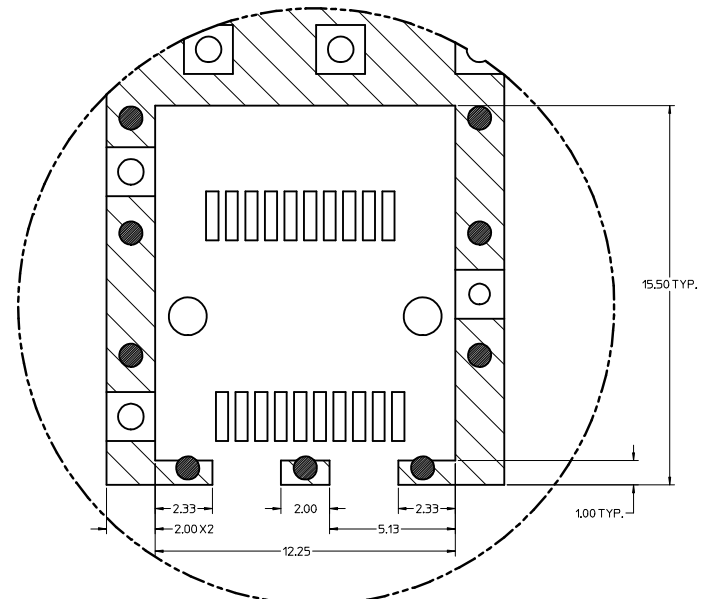
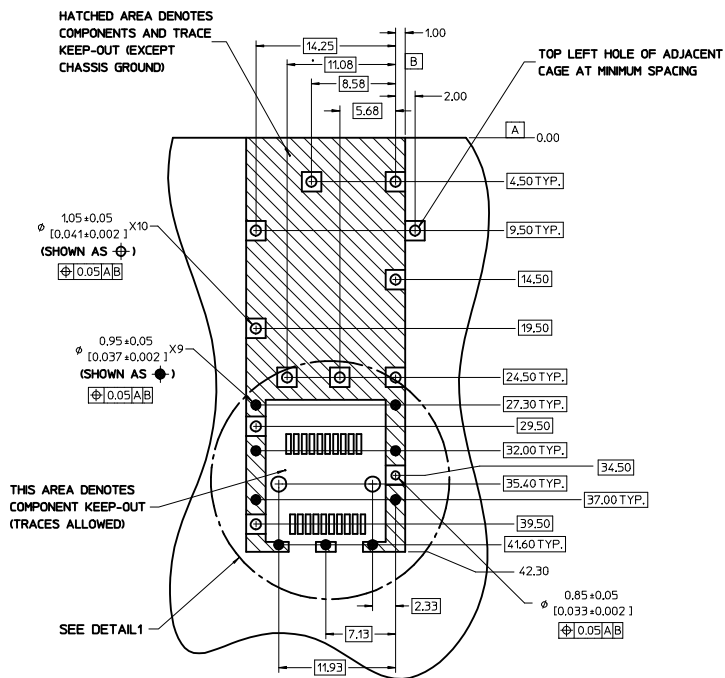


- NOTES:**
- MATERIAL:**
 CAGE: NICKEL PLATED COPPER ALLOY, THICKNESS 0.25mm
 SPRING FINGER: NICKEL PLATED COPPER ALLOY, THICKNESS 0.10mm
 - PRESS FIT LEGS 3.05 LONG -
 1.57 MINIMUM PCB THICKNESS FOR SINGLE SIDED USE
 - PORTS ARE DESIGNED FOR SFP+ TRANSCEIVERS AND ARE BACKWARDS
 COMPATIBLE WITH SFP TRANSCEIVERS
 - NO RoHS EXEMPTIONS.

UPDATE ISO VIEW IEC NO: CPG2014-0215 DRAWNSYANG16 2013/07/22 CHKD: APPR:RTSAL 2013/07/22	QUALITY SYMBOLS	GENERAL TOLERANCES (UNLESS SPECIFIED)	DIMENSION STYLE	SCALE	DESIGN UNITS	THIRD ANGLE PROJECTION
	▽=0	4 PLACES ± mm ± INCH	MM ONLY	4:1	METRIC	
	▽=0	3 PLACES ± --- ± ---				
	▽=0	2 PLACES ± 0.15 ± ---				
		1 PLACE ± 0.25 ± ---				
		0 PLACE ± ±				
		ANGULAR ± 1 °				
		DRAFT WHERE APPLICABLE MUST REMAIN WITHIN DIMENSIONS				
			MATERIAL NO.	DOCUMENT NO.		
			747540104	SD-74754-0104		
						SHEET NO. 1 OF 4
			THIS DRAWING CONTAINS INFORMATION THAT IS PROPRIETARY TO MOLEX INCORPORATED AND SHOULD NOT BE USED WITHOUT WRITTEN PERMISSION			

19 18 17 16 15 14 13 12 11 10 9 8 7 6 5 4 3 2 1

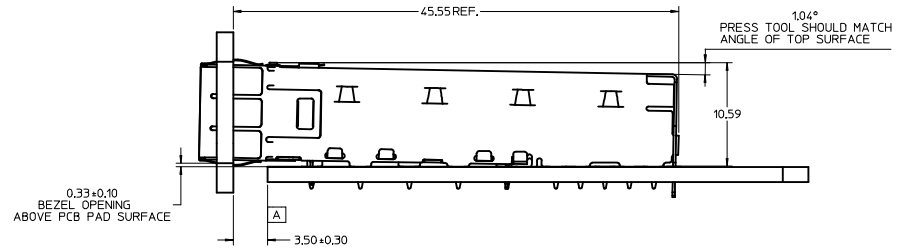
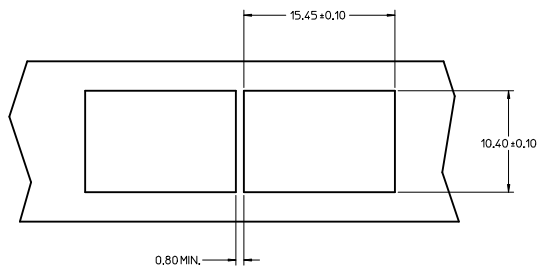
PCB LAYOUT FOR SINGLE SIDE MOUNT



DETAIL1
SCALE 10:1
HOST CONNECTOR DETAIL

UPDATE ISO VIEW EC NO: CPG2014-0215 DRAWN BY: CHYD APPR: RYSAI 2013/07/22 2013/07/22	QUALITY SYMBOLS	GENERAL TOLERANCES (UNLESS SPECIFIED)	DIMENSION STYLE	SCALE	DESIGN UNITS	THIRD ANGLE PROJECTION
	▽=0	mm INCH	MM ONLY	4:1	METRIC	☉
	▽=0	4 PLACES ± --- ± ---	DRAWN BY: PSYTSMA	DATE: 2007/05/23	TITLE:	SFP+ 1X1 PCI CAGE WITH SPRING FINGERS PRESS FIT molex
	▽=0	3 PLACES ± --- ± ---	CHECKED BY: BRUSSELL	DATE: 2007/05/23	DOCUMENT NO. SD-74754-0104	
	2 PLACES ± 0.15 ± ---	APPROVED BY: BRUSSELL	DATE: 2007/05/23	MATERIAL NO. 747540104	SHEET NO. 2 OF 4	
	1 PLACE ± 0.25 ± ---	DRAFT WHERE APPLICABLE MUST REMAIN WITHIN DIMENSIONS	SIZE D	THIS DRAWING CONTAINS INFORMATION THAT IS PROPRIETARY TO MOLEX INCORPORATED AND SHOULD NOT BE USED WITHOUT WRITTEN PERMISSION		

BEZEL AND BOARD POSITION DIMENSIONS FOR SINGLE SIDE MOUNTING
(SPRING FINGER)



UPDATE ISO VIEW EC NO: CPG2014-0215 CHYK: DRWNSYANG16 APPR: TSAL 2013/07/22	QUALITY SYMBOLS ▽=0 ▽=0 ▽=0	GENERAL TOLERANCES (UNLESS SPECIFIED)		DIMENSION STYLE MM ONLY	SCALE 4:1	DESIGN UNITS METRIC	THIRD ANGLE PROJECTION
		4 PLACES ± --- ± --- 3 PLACES ± --- ± --- 2 PLACES ± 0.15 ± --- 1 PLACE ± 0.25 ± --- 0 PLACE ± ±	mm INCH ± --- ± --- ± --- ± --- ± --- ± --- ± --- ± ---	DRAWN BY PSYTSMA DATE 2007/05/23	CHECKED BY BRUSSELL DATE 2007/05/23	APPROVED BY BRUSSELL DATE 2007/05/23	MATERIAL NO. 747540104
DRAFT WHERE APPLICABLE MUST REMAIN WITHIN DIMENSIONS		THIS DRAWING CONTAINS INFORMATION THAT IS PROPRIETARY TO MOLEX INCORPORATED AND SHOULD NOT BE USED WITHOUT WRITTEN PERMISSION					

20 19 18 17 16 15 14 13 12 11 10 9 8 7 6 5 4 3 2 1

REV	DATE	DESCRIPTION
C	2013/07/22	REGENERATED ISO VIEW.

UPDATE ISO VIEW IEC NO: CPG2014-0215 DRAWN BY: CHYKD APPR:RTSAL 2013/07/22	QUALITY SYMBOLS	GENERAL TOLERANCES (UNLESS SPECIFIED)	DIMENSION STYLE	SCALE	DESIGN UNITS	THIRD ANGLE PROJECTION
	$\nabla=0$	4 PLACES \pm mm	MM ONLY	DATE	METRIC	
	$\nabla=0$	3 PLACES \pm mm	INCH	DATE		TITLE SFP+ 1X1 PCI CAGE WITH SPRING FINGERS PRESS FIT
	$\nabla=0$	2 PLACES ± 0.15		DATE		
	$\nabla=0$	1 PLACE ± 0.25		DATE		
	0 PLACE \pm		DATE		MATERIAL NO. 747540104	DOCUMENT NO. SD-74754-0104
	ANGULAR $\pm 1^\circ$	DRAFT WHERE APPLICABLE MUST REMAIN WITHIN DIMENSIONS	SIZE	SHEET NO. 4 OF 4		THIS DRAWING CONTAINS INFORMATION THAT IS PROPRIETARY TO MOLEX INCORPORATED AND SHOULD NOT BE USED WITHOUT WRITTEN PERMISSION

19 18 17 16 15 14 13 12 11 10 9 8 7 6 5 4 3 2 1