

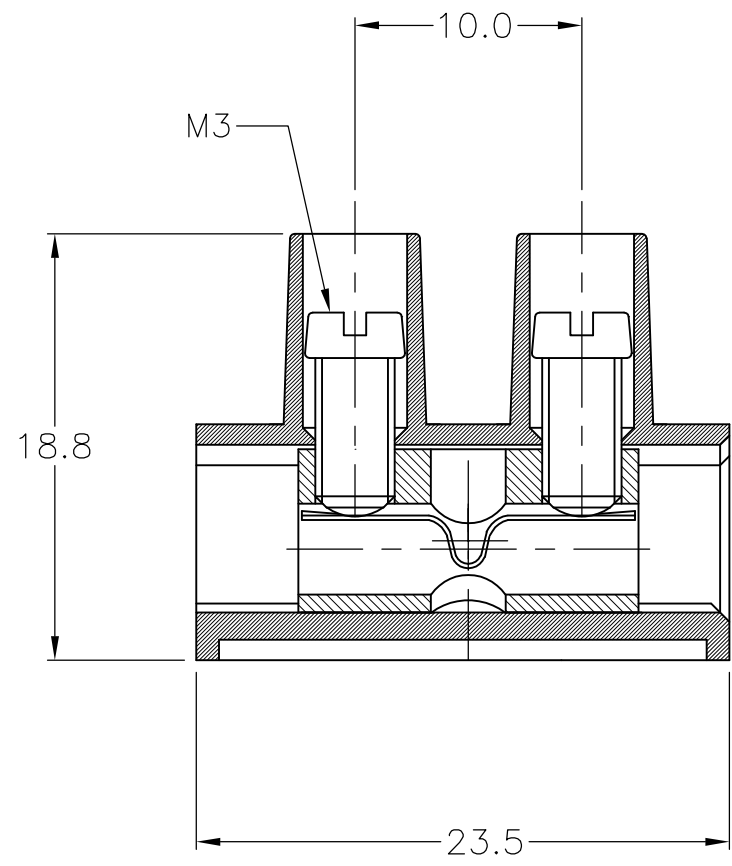
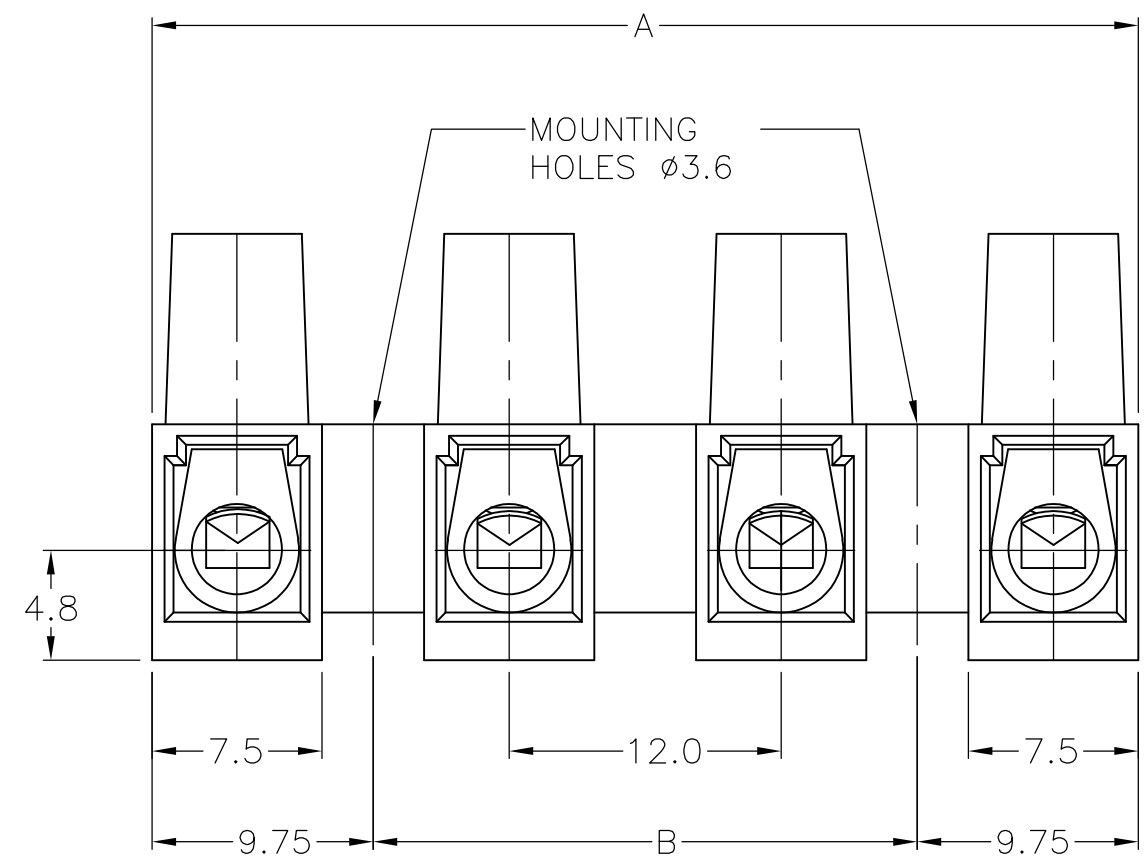
THIS DRAWING IS UNPUBLISHED. RELEASED FOR PUBLICATION
 © COPYRIGHT BY TYCO ELECTRONICS CORPORATION. ALL RIGHTS RESERVED.

LOC	DIST	REVISIONS			
P	LTR	DESCRIPTION	DATE	DWN	APVD
FT	0	A	RELEASE	5/21/02	SS DB
		A1	REVISED PER ECO-09-024927	06NOV09	KK AEG

NOTE

- MATERIAL
HOUSING - POLYIMIDE 6 UL94V-2
COLOR - NATURAL(OFF WHITE)
- CURRENT RATING: 40A, 250V
10-22 AWG

3 OBSOLETE PARTS: OBSOLETE CIS STREAMLINING PER D.RENAUD/D.SINISI



	DIM B	DIM A	T & B PART NUMBER	TYCO PART NUMBER
SUPERCEDED 3	120	139.5	TSB1000 12MDS	1-1546301-2
	108	127.5	TSB1000 11MDS	1-1546301-1
	96	115.5	TSB1000 10MDS	1-1546301-0
SUPERCEDED 3	84	103.5	TSB1000 09MDS	1546301-9
	72	91.5	TSB1000 08MDS	1546301-8
	60	79.5	TSB1000 07MDS	1546301-7
	48	67.5	TSB1000 06MDS	1546301-6
SUPERCEDED 3	36	55.5	TSB1000 05MDS	1546301-5
	24	43.5	TSB1000 04MDS	1546301-4
	12	31.5	TSB1000 03MDS	1546301-3
	-	19.5	TSB1000 02MDS	1546301-2
	-	7.5	TSB1000 01MDS	1546301-1

THIS DRAWING IS A CONTROLLED DOCUMENT.		DWN S SCHLEGEL 5/21/02	BUCHANAN Tyco Electronics Corporation Harrisburg, PA 17105-3608	
DIMENSIONS: MM		CHK S SCHLEGEL 5/21/02		
TOLERANCES UNLESS OTHERWISE SPECIFIED:		APVD D. BIEVENOUR 5/21/02	NAME	
0 PLC ± -		PRODUCT SPEC	EUROPA TERMINAL BLOCK W/WIRE STOP MOUNTING HOLES Ø 3.6, 12mm PITCH	
1 PLC ± .3		APPLICATION SPEC	-	
2 PLC ± .25		WEIGHT	SIZE A3	CAGE CODE 00779
3 PLC ± -		MATERIAL -	DRAWING NO C-1546301	
4 PLC ± -			RESTRICTED TO -	
ANGLES ± 2		CUSTOMER DRAWING		SCALE 3:1
FINISH -		SHEET 1 OF 1		REV A1