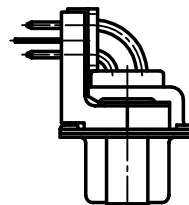
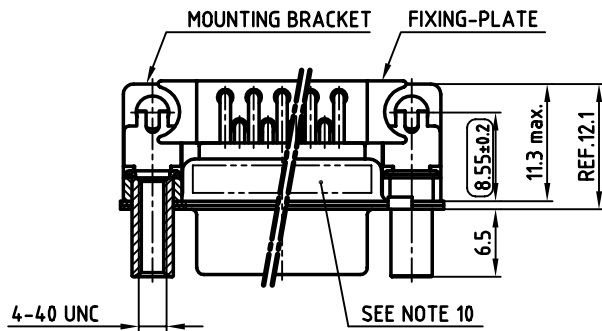
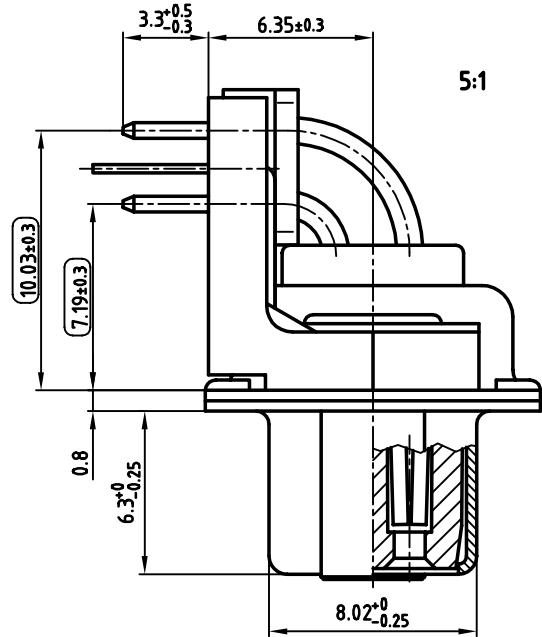
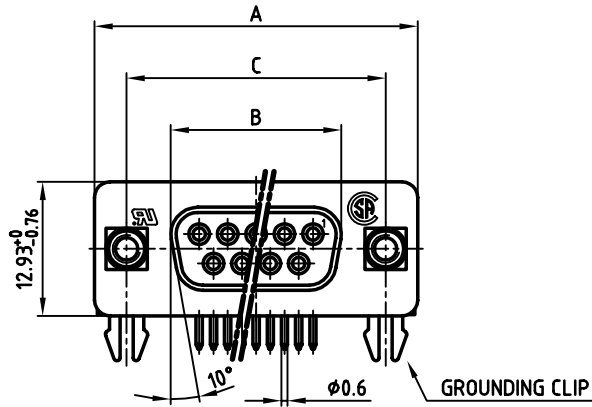


used for: D-SUB



NOTES:

1. METALSHELLS: STEEL; min. 320µ" TIN
2. INSULATORS: PBT GF UL 94 V-0, BLACK
3. CONTACTS: COPPER ALLOY
PLATING: 8µ" HARD GOLD OVER min. 50µ" NICKEL
4. MOUNTING BRACKET: PBT GF UL 94 V-0, BLACK
5. THREADED LOCK: COPPER ALLOY; min. 200µ" TIN over 80µ" NICKEL
6. GROUNDING CLIP: COPPER ALLOY; min. 200µ" TIN over 80µ" NICKEL
PCB-HOLE: $\phi 3.1 \pm 0.1$; PCB THICKNESS 1.6mm
7. FIXING-PLATE: PBT GF UL 94 V-0, BLACK
8. P.C.B. HOLE DRILLINGS ON DRAWING NO.: 16K11UIA
9. MAXIMUM TORQUE VALUE FOR THREAD: 6" LBS
10. CONNECTOR IS PART MARKED: PART-NO. CONEC Y/WW
11. = CHECK DIMENSION

POS.	A -0.76	B -0.25	C	PART NO.
9	31.19	16.46	25.00 ± 0.12 -0.13	164A18889X
15	39.52	24.79	33.30 ± 0.15 -0.10	164A18899X
25	53.42	38.50	47.04 ± 0.13	164A18909X
37	69.70	54.96	63.50 ± 0.13	164A18919X

Directive 2002/95 EC
RoHS
Compliant

APPROVAL * FREIGABE * DEBLOCAGE * AUTORIZACION * APPROVAL

CUSTOMER APPROVAL DATE:

NAME: TITLE:

COMPANY NAME:

APPROVAL * FREIGABE * DEBLOCAGE * AUTORIZACION * APPROVAL

THIS DRAWING MAY NOT BE COPIED OR REPRODUCED IN ANY WAY, AND MAY NOT BE PASSED ON TO A THIRD PARTY, WITHOUT WRITTEN PERMISSION. OWNERSHIP AND COPYRIGHT OF CONEC GmbH DO NOT ALTER CAD DRAWING BY HAND

rev.	description	date	name

tolerance		scale:	2:1 (5:1)
	dim. in mm	material:	SEE NOTES
2003	date	name	title:
drawn	22.09.	Lehmenkühler	D-SUB FEMALE 90°
appd.	22.09.	Mickenbecker	9-37pos. 0.318inch
norm	DIN 41652		mounting bracket, threaded lock, grounding clip
d-old			dwg no: AutoCAD 2000 DIN-A
CONEC			16K1A1017
			part no: SEE TABLE

dwg no:	AutoCAD 2000	DIN-A
		3
		sh: 1/1