

MATERIALS AND FINISHES

BODY: STAINLESS STEEL
PASSIVATED

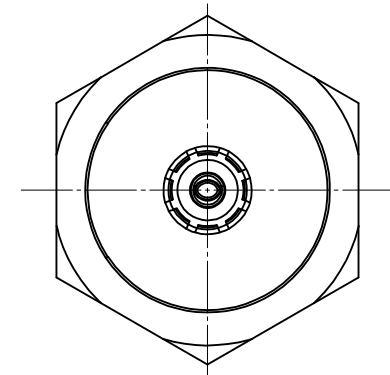
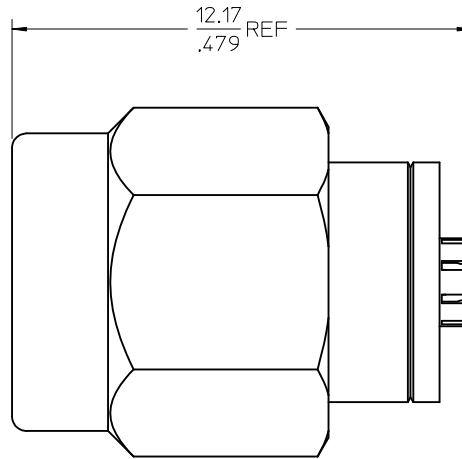
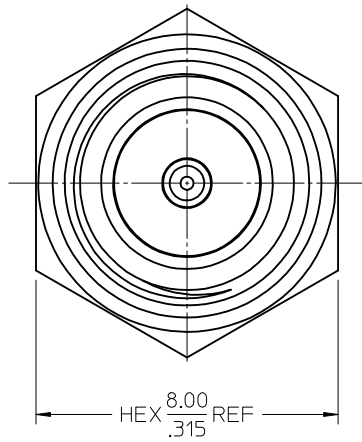
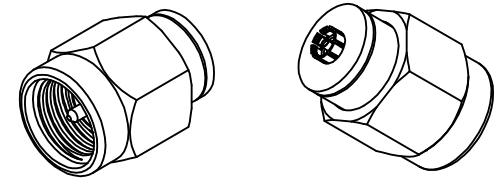
COUPLING NUT: BRASS
PLATED NICKEL

CONTACT: BERYLLIUM COPPER
PLATED GOLD

INSULATOR: TEFLON

GASKET: SILICONE RUBBER

SNAP RING: BERYLLIUM COPPER



73386-0861	73386-0860 ONE PIECE PER BAG
73386-0860	TRAY
PART NO.	PACKAGING

CHG: UPDATED TITLE & PACKAGING PER RF15-E333	EC NO: URF2016-0229	2015/09/21
	DRWR:YEH	2015/09/21
CHKD:		
APPR:YCHENG		2015/09/25
REV	DESCRIPTION	
B4		

QUALITY SYMBOLS	▽=0	
	▽=0	
	▽=0	
	▽=0	
	▽=0	
GENERAL TOLERANCES (UNLESS SPECIFIED)		
	mm	INCH
4 PLACES	± .10	± .004
3 PLACES	± .15	± .006
2 PLACES	± 0.10	± .004
1 PLACE	± 0.13	± .005
0 PLACE	±	±
ANGULAR ± 2 °		
DRAFT WHERE APPLICABLE MUST REMAIN WITHIN DIMENSIONS		

DIMENSION STYLE		MM/IN
DRAWN BY	DATE	
JOHN	2004/05/28	
CHECKED BY	DATE	
KENNY	2004/05/28	
APPROVED BY	DATE	
MISEN	2004/05/28	
MATERIAL NO.	SEE TABLE	
SIZE	C	

SCALE	10:1	DESIGN UNITS	METRIC	THIRD ANGLE PROJECTION
TITLE				
BSA SMA PLUG TO MCRF JACK 50 OHMS BSA-SMAP/MCRFJ				
molex				
DOCUMENT NO.	SD-73386-086			SHEET NO.
				1 OF 1
THIS DRAWING CONTAINS INFORMATION THAT IS PROPRIETARY TO MOLEX INCORPORATED AND SHOULD NOT BE USED WITHOUT WRITTEN PERMISSION				