

CAB442RF: I-PEX MHF + ISOLATED SMA STRAIGHT BULKHEAD JACK WITH O-RING RATED TO IP67 + RG178 CABLE, 6GHz

SPECIFICATIONS :

1. I-PEX MHF PLUG, P/N: 20278-112R-18.
2. RG178 CABLE, COLOR: BROWN.
3. ISOLATED SMA STRAIGHT BULKHEAD JACK WITH O-RING RATED TO IP67, NICKEL PLATED, P/N: RFCT-SMA085-F78.

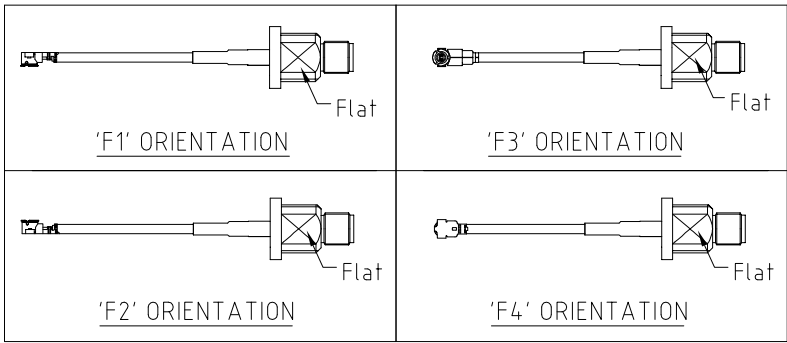
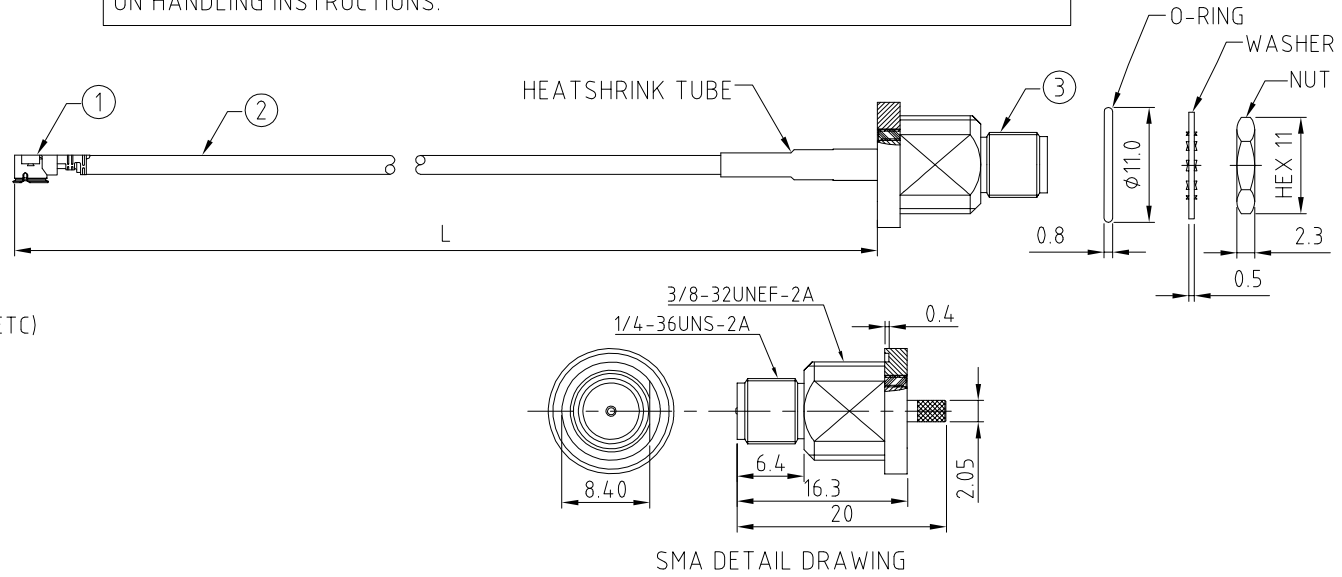
ENVIRONMENTAL:

- A. BULKHEAD MOUNTED CONNECTOR (RFCT-SMA085-F78) RATED TO THE FOLLOWING SPECIFICATION:
- i. IP6X - DUST TIGHT - NO PARTICLE INGRESS.
 - ii. IPX7 WATERPROOF FOR 30 MINUTES UP TO 1 METER UNDERWATER.

NOTES:

1. THE ORIENTATION OF CONNECTORS ON DRAWING IS FOR REFERENCE ONLY, IF THE ORDER IS LEFT BLANK THE CONNECTOR WILL NOT HAVE FIXED ORIENTATION.
2. FIXED ORIENTATION IS SUGGESTED FOR CABLE LENGTH 25MM TO 100MM. PLEASE SPECIFY THE FIXED ORIENTATIONS FROM THE ORDER CODE (F1, F2, ETC)
3. CONTACT GRADCONN IF THE ORIENTATION YOU REQUIRE IS NOT SHOWN.
4. WORKING FREQUENCY RANGE: DC-6GHz.
5. OPERATING TEMPERATURE: -40°C TO +85°C.
6. IMPEDANCE: 50 Ohm.
7. CARE SHOULD BE TAKEN NOT TO OVERTIGHTEN THE MATING CONNECTOR. OVERTIGHTENING RISKS COMPROMISING THE IP RATING OF THE CONNECTOR.

USAGE PRECAUTIONS: CABLES USING 'MICRO' COAX ARE DELICATE:
 (i) HANDLE WITH CARE.
 (ii) DO NOT TWIST; APPLY EXCESSIVE FORCES OR SHARP BENDS TO THE CABLE. DO NOT FORCEFULLY DEFORM WIRES.
 (iii) CONSULT CONNECTOR MANUFACTURER'S DATASHEETS FOR DETAILED NOTES ON HANDLING INSTRUCTIONS.



HOW TO ORDER

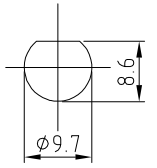
CAB442RF - X X X X - X X - X - 1

"L" LENGTH IN MM:
 eg: 100MM = 0100
 (MIN. 0025-MAX.0400)
 STANDARD = 0100, 0150, 0200)
 Tolerance: <50mm: ±2mm
 50-200mm: ±5mm.
 201-400mm: ±7mm.

CABLE SIZE:
 1 = RG178 CABLE, COLOR: BROWN

O-RING, WASHER AND NUT OPTIONS:
 BLANK = SEPARATELY PACKED (STANDARD)
 A = ASSEMBLED WITH CONNECTOR

ORIENTATION OPTIONS:
 BLANK = DOES NOT HAVE A FIXED ORIENTATION
 F1 = MHF CONNECTION DOWN (L=25-200MM)
 F2 = MHF CONNECTION UP (L=25-200MM)
 F3 = MHF CONNECTION AND D FLAT SAME ORIENTATION (L=25-200MM)
 F4 = MHF CONNECTION AND D FLAT OPPOSITE ORIENTATION (L=25-200MM)
 (SEE NOTES 1, 2, 3 AND DIAGRAMS FOR MORE INFORMATION)



RECOMMENDED SMA MOUNTING HOLE

REV.	DATE	DRN
10	12/01/20	NYW RELEASE
11	09/02/21	NYW UPDATE ENVIRONMENTAL INFO
12	02/03/21	NYW ADD CABLE SIZE OPTION 2.
13	22/03/22	NYW SEPARATE O-RING FROM SMA.
14	17/05/22	NYW REMOVE IPX8 RATING.
15	31/03/23	NYW UPDATE WORKING FREQUENCY.

Scale:	NTS	THIRD ANGLE	Unstated X XX XXX ANGLES	Tolerances: N/A N/A N/A N/A	
Drawn:	NYW				
App'd:	XXX	Title CABLE ASSEMBLY			
Date:	31 OCT. '22	Revision:	1.5	Unit:	mm



IP67 Rated Cables www.gradconn.com

THIS DRAWING IS CONFIDENTIAL AND MUST NOT BE COPIED OR DISCLOSED WITHOUT WRITTEN CONSENT

Drawing Number:	
CAB442RF	
Sheet 1	of 1
Drawing	E and O E