

PART  
NAME

# ADAPTER BRACKET

PART  
No.

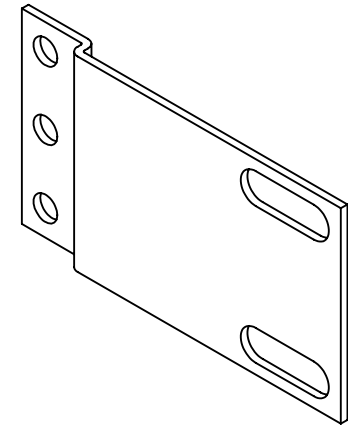
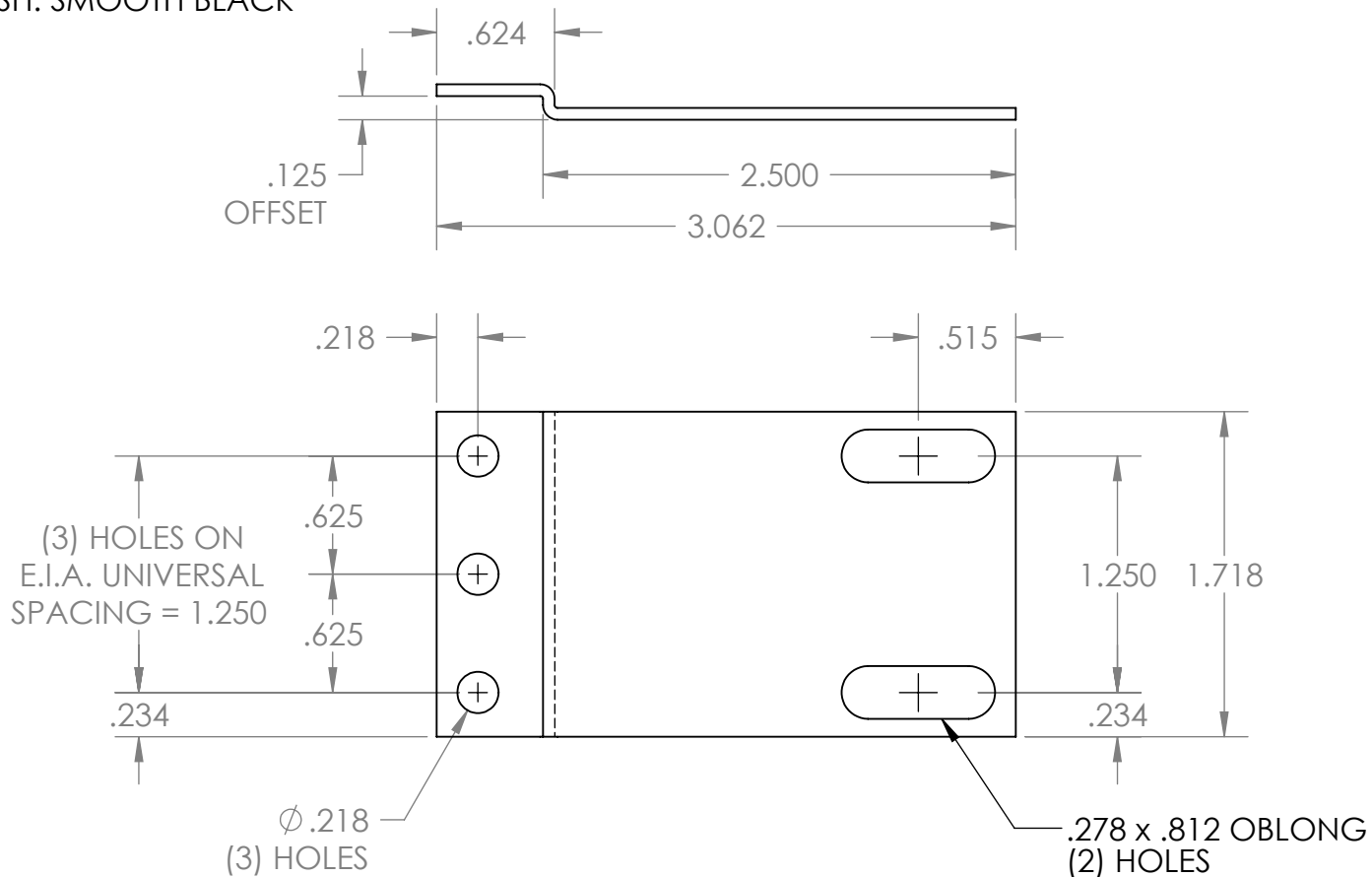
AB-1851

REV.  
DATE

4-26-12

MATERIAL: 16 GA. STEEL

FINISH: SMOOTH BLACK



BRACKETS ARE PACKAGED IN PAIRS.

SUPPLIED WITH THE FOLLOWING HARDWARE:

- QTY. (8) #10-32 x 5/8" LG. TRUSS HD., PHILLIPS, STEEL, ZINC PLATED, MACHINE SCREWS
- QTY. (4) #10-32 KEPS NUTS, STEEL, ZINC PLATED
- QTY. (4) #12-24 x 1/2" LG. TRUSS HD., PHILLIPS, STEEL, ZINC PLATED, MACHINE SCREWS

BRACKETS ARE USED FOR MOUNTING 19" WIDE EQUIPMENT INTO OPEN RELAY RACKS WITH 23" AND 24" WIDE PANEL SPACES AND ENCLOSED CABINET RACKS WITH 24" WIDE PANEL SPACE.