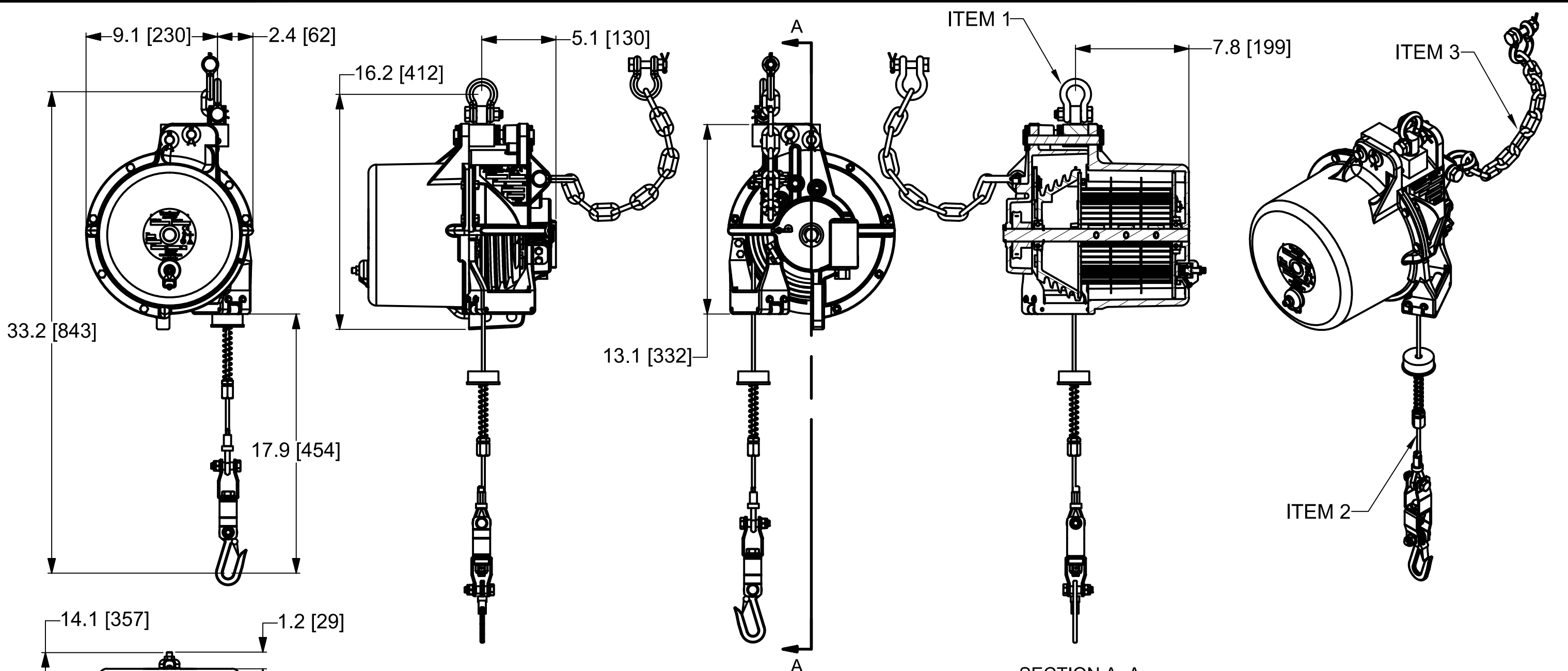


10 9 8 7 6 5 4 3 2 1



**DIMENSIONS ARE FOR REFERENCE ONLY.**

RELEASE TO GSM EC NO: WNA2011-0107 DRWN: RHOTCA 2011/02/18 CHKD: DT APPR: DTITUS 2011/03/24 REV A	QUALITY SYMBOLS $\nabla=0$ $\nabla C=0$	GENERAL TOLERANCES (UNLESS SPECIFIED)			DIMENSION STYLE IN/MM		SCALE NTS	DESIGN UNITS INCH	THIRD ANGLE PROJECTION	
		4 PLACES	±	±	DRAWN BY	DATE	TITLE <b>LA FOR GME SERIES OF BALANCERS GENERAL SALES DRAWING</b>			
		3 PLACES	±	±.005	CHECKED BY	DATE				
		2 PLACES	±0.13	±.010	APPROVED BY	DATE	MOLEX INCORPORATED DOCUMENT NO. SD-130172-005 SHEET NO. 1 OF 2			
		1 PLACE	±0.25	±.020	DTITUS	2011/03/24				
	ANGULAR ±1°			MATERIAL NO. <b>SEE TABLE</b>		THIS DRAWING CONTAINS INFORMATION THAT IS PROPRIETARY TO MOLEX INCORPORATED AND SHOULD NOT BE USED WITHOUT WRITTEN PERMISSION				

10 9 8 7 6 5 4 3 2 1

10

9

8

7

6

5

4

3

2

1

# BALANCER MODEL:

## LOAD CAPACITY CHART:

### WIEIGHT RANGE FOR EACH BALANCER MODEL:

IN LBS      IN KGS

## CABLE TRAVEL CHART PER MODEL:

[FT]      [M]

# ITEMS INDEX BY EACH MODEL:

ITEM #1:

ITEM #2:

ITEM #3:

MATERIAL NUMBER	MODEL NUMBER	IN LBS	IN KGS	[FT]	[M]	MATERIAL NUMBER	ENGINEERING NUMBER	MATERIAL NUMBER	ENGINEERING NUMBER	MATERIAL NUMBER	ENGINEERING NUMBER
1301720522	250LA-GME	234 - 250	106 - 113	7.0	2.1	1301790517	49680	1301794947	BG15085-7	1301790953	BG19381
1301720523	260LA-GME	249 - 265	113 - 120	7.0	2.1	1301790517	49680	1301794947	BG15085-7	1301790953	BG19381
1301720524	280LA-GME	265 - 280	120 - 127	7.0	2.1	1301790517	49680	1301794947	BG15085-7	1301790953	BG19381
1301720572	290LA-GME	280 - 291	127 - 132	7.0	2.1	1301790517	49680	1301794947	BG15085-7	1301790953	BG19381

### NOTES:

- BALANCERS ARE 100% INSPECTED & PRE-TENSIONED AT FACTORY.
- HOUSINGS MADE ALUMIUM CASTING & ARE POWDER COATED TO MEET HARSH INDUSTRIAL ENVIRONMENTS.
- ALWAYS READ INSTRUCTIONS MANUAL BEFORE USING BALANCERS.
- BALANCERS ARE NOT TO BE USED AS RETRACTORS THEIR MAIN PURPOSE BEING TO BALANCE A LOAD AND NOT TO RETRACT ONE.
- OVERALL DIMENSIONS ARE FOR REFERENCE ONLY.
- WHEN MOUNTING BALANCER, ALWAYS MAKE SURE THAT SAFETY PIN WHICH COMES WITH SHACKLE IS INSTALLED & SECURED.

RELEASE TO GSM EC NO: WNA2011-0107 DRWN: RHOTCA 2011/02/18 CHKD: DT APPR: DTITUS 2011/03/24 REV A	QUALITY SYMBOLS	GENERAL TOLERANCES (UNLESS SPECIFIED)		DIMENSION STYLE		SCALE	DESIGN UNITS	THIRD ANGLE PROJECTION		
	 	4 PLACES	mm	INCH	IN/MM		NTS	INCH	LA FOR GME SERIES OF BALANCERS GENERAL SALES DRAWING MOLEX INCORPORATED SD-130172-005 SHEET NO. 2 OF 2	
		3 PLACES	±-	±-	DRAWN BY	DATE	TITLE			
		2 PLACES	±0.13	±.010	RHOTCA	2011/02/18	LA FOR GME SERIES OF BALANCERS GENERAL SALES DRAWING			
1 PLACE	±0.25	±.020	CHECKED BY	DATE						
ANGULAR ±1°			DRAFT WHERE APPLICABLE MUST REMAIN WITHIN DIMENSIONS		APPROVED BY		DATE		MATERIAL NO.	
					DTITUS		2011/03/24		SEE TABLE	
					SIZE		THIS DRAWING CONTAINS INFORMATION THAT IS PROPRIETARY TO MOLEX INCORPORATED AND SHOULD NOT BE USED WITHOUT WRITTEN PERMISSION			
					B					

10

9

8

7

6

5

4

3

2

1