

MI DRG. NO.

L6996-#B(SH2)

REV.

**L6996** DASH  
NO.**B****TUNING ROTOR**

SPECIFICATIONS

FILE: AIROUT

PRE-TORQUED AND LUBRICATED THREADS

FINISH

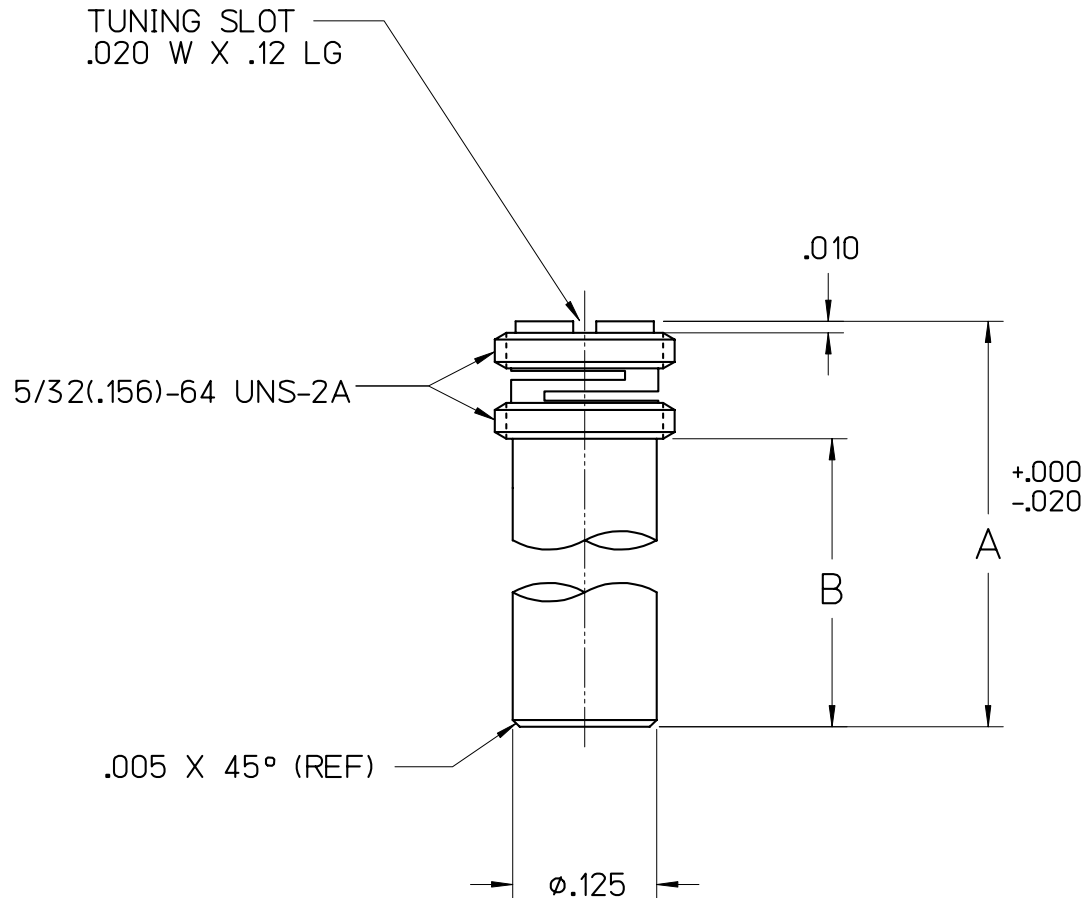
JOHANSON STANDARD  
CHROMATE CONVERSION

MOUNTING

JMC TAP P/N 7059  
(.156-64 UNS-2)

BRASS STRUCTURE

APPLICATIONS:

FOR HIGH Q VARIABLE REACTANCE TUNING  
OF MICROWAVE CAVITIES, FILTERS, AND  
OTHER RESONANT STRUCTURES.

PART NO.	A	B
L6996-25	.245	.143
L6996-26	.300	.198
L6996-27	.350	.248
L6996-28	.400	.298
L6996-29	.450	.348
L6996-31	.271	.169

B	10/28/14	RJV	RJV	10/28/14 MAI	001277
A	1/22/04	RJV	-	-	000072
LEVEL	DATE	DRN.	CHK.	APP.	ECN

## REVISIONS

DRN.	CHK.	APP.	SCALE
RJV	RJV	JHT	6" $\approx$ 1"
DATE	DATE	DATE	.XX $\pm$ .015
1/22/04	1/26/04	1/26/04	.XXX $\pm$ .005

**JOHANSON MANUFACTURING CORPORATION**ROCKAWAY VALLEY ROAD, BOONTON, N.J. 07005 (973)334-2676 FAX (973)334-2954  
ELECTRONIC ACCURACY THROUGH MECHANICAL PRECISION

PROPRIETARY INFORMATION CONTAINED NOT TO BE USED WITHOUT JOHANSON MANUFACTURING CORPORATION APPROVAL