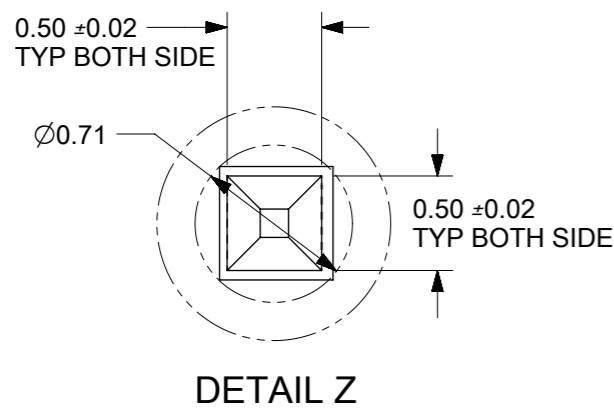
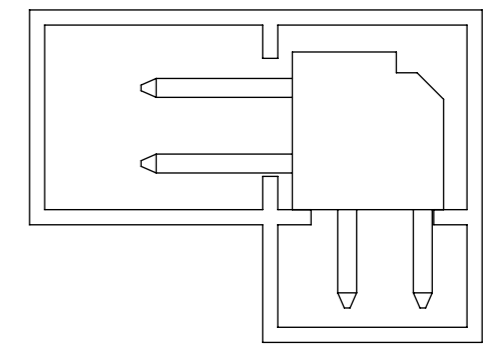


REVISION AND DOC. NO OF DRAWING
MAY BE CHANGED DURING FINAL
RELEASED FOR PRODUCTION.



NOTES:

1. MATERIAL:
HSG: PCT, 30% GLASS FILLED, UL 94V-0, COLOUR BLACK.
PIN: 0.50MM SQ PHOSPHOR BRONZE 510
2. PLATING FINISH:
 - (1) 0.05-0.25µm GOLD OVER
1.25µm MIN. NICKEL OVERALL.
 - (2) 0.05-0.25µm GOLD ON CONTACT AND
2.50µm MIN. TIN ON SOLDER TAIL OVER
1.25µm MIN. NICKEL OVERALL.
 - (3) 0.38µm MIN. GOLD PLATE ON CONTACT AND
2.00µm MIN. TIN ON SOLDER TAIL OVER
1.25µm MIN. NICKEL OVERALL.
 - (4) 0.75µm MIN. GOLD PLATE ON CONTACT AND
2.00µm MIN. TIN ON SOLDER TAIL OVER
1.25µm MIN. NICKEL OVERALL.
 - (5) 2.50µm MIN. TIN OVERALL
1.25µm MIN. NICKEL OVERALL
3. 12 CKT USED FOR ILLUSTRATION ONLY
4. PART TO BE PACKED IN POCKET TRAY/TUBE (SEE TABLE).
5. PRODUCT SPEC PS-87761-100 APPLIES.
6. RECOMMENDED PCB BOARD THK 1.60±0.10 MM.



SYMBOLS	THIS DRAWING CONTAINS INFORMATION THAT IS PROPRIETARY TO MOLEX ELECTRONIC TECHNOLOGIES, LLC AND SHOULD NOT BE USED WITHOUT WRITTEN PERMISSION		CURRENT REV DESC: REMASTERED IN NX	
	DIMENSION UNITS	SCALE		
▽ = 0	mm	NTS		
▽ = 0	GENERAL TOLERANCES (UNLESS SPECIFIED)			
▽ = 0		MM	INCH	
▽ = 0	4 PLACES	±	±	
▽ = 0	3 PLACES	±	±	
▽ = 0	2 PLACES	±	0.2	±
▽ = 0	1 PLACE	±	±	
▽ = 0	0 PLACES	±	±	
⊠ = 0	ANGULAR TOL ± 3.0°			
■ = 0	DRAFT WHERE APPLICABLE MUST REMAIN WITHIN DIMENSIONS			
▽ = 0	THIRD ANGLE PROJECTION		DRAWING	SERIES
			A3-SIZE	87760
EC NO: 614469		DRWN: VNANDAM		2019/03/28
CHK'D: GJEEVANSURES		APPR: ISHWARG		2019/04/10
INITIAL REVISION:		DRWN: ATSEE		2013/12/17
		APPR: ATSEE		2013/12/17
DOCUMENT NUMBER		DOC TYPE	DOC PART	REVISION
SD-87760-500		PSD	001	A
MATERIAL NUMBER		CUSTOMER		SHEET NUMBER
SEE TABLE		SCHNEIDER		1 OF 2

PART NUMBER	CKT SIZE	PLATING OPTION	VOID PIN LOCATIONS	DIM A	DIM B	DIM M	DIM P	PACKAGING TYPE
87760-5616	34	3	7, 8, 9, 10, 11, 12 23, 24, 25, 26, 27, 28	32.00	34.00	4.00	2.60	TUBE
87760-0001	50	3	---	48.00	50.00	4.00	5.60	TRAY
87760-0002	16	3	---	14.00	16.00	5.00	3.00	TRAY
87760-0003	18	5	---	16.00	18.00	4.00	2.60	TRAY
87760-0006	16	3	---	14.00	16.00	5.00	3.00	TRAY
87760-7006	42	3	5-12, 17-24 29-36	40.00	42.00	4.00	2.60	TRAY
87760-7007	50	3	16, 17, 20, 21, 24, 25, 28, 29, 32, 33, 36, 37, 40, 41, 44, 45, 48, 49.	48.00	50.00	4.00	2.60	TUBE
87760-7008	50	3	33, 36, 37, 40, 41, 44, 45, 48, 49.	48.00	50.00	4.00	2.60	TUBE
87760-7009	50	3	2, 3, 6, 7, 10, 11, 14, 15, 18, 19, 22, 23, 26, 27, 30, 31, 34, 35, 38, 39, 42, 43, 46, 47, 50.	48.00	50.00	4.00	2.60	TUBE
87760-0649	06	3	1 & 5	4.00	6.00	6.00	2.60	TBD
87760-1249	12	3	1 & 11	10.00	12.00	6.00	2.60	TBD
87760-4050	40	3	---	38.00	40.00	2.60	3.00	TRAY
87760-0646	06	3	---	4.00	6.00	6.00	2.90	TRAY
87760-1046	10	3	---	8.00	10.00	6.00	2.90	TRAY
87760-1446	14	3	---	12.00	14.00	6.00	2.90	TRAY
87760-2446	24	3	---	22.00	24.00	6.00	2.90	TRAY
87760-4046	40	3	---	38.00	40.00	6.00	2.90	TRAY
87760-7000	42	3	5,6,11,12,13,14,15,16,21,22, 27,28,29,30,31,32,37,38	40.00	42.00	3.81	2.60	TRAY
87760-1268	12	5	----	10.00	12.00	3.81	2.60	TRAY
87760-2068	20	5	----	18.00	20.00	3.81	2.60	TRAY
87760-0878	08	3	----	6.00	8.00	4.00	2.16	TRAY
87760-1078	10	3	----	8.00	10.00	4.00	2.16	TRAY
87760-1278	12	3	----	10.00	12.00	4.00	2.16	TRAY
87760-1678	16	3	----	14.00	16.00	4.00	2.16	TRAY
87760-2278	22	3	----	20.00	22.00	4.00	2.16	TRAY
87760-3078	30	3	----	28.00	30.00	4.00	2.16	TRAY

SYMBOLS	THIS DRAWING CONTAINS INFORMATION THAT IS PROPRIETARY TO MOLEX ELECTRONIC TECHNOLOGIES, LLC AND SHOULD NOT BE USED WITHOUT WRITTEN PERMISSION	
	DIMENSION UNITS	SCALE
= 0	mm	NTS
= 0	GENERAL TOLERANCES (UNLESS SPECIFIED)	
= 0	MM	INCH
= 0	4 PLACES ±	±
= 0	3 PLACES ±	±
= 0	2 PLACES ±	0.2 ±
= 0	1 PLACE ±	±
= 0	0 PLACES ±	±
= 0	ANGULAR TOL ±	3.0°
= 0	DRAFT WHERE APPLICABLE MUST REMAIN WITHIN DIMENSIONS	THIRD ANGLE PROJECTION
= 0		DRAWING
		SERIES
		MATERIAL NUMBER
		CUSTOMER
		SHEET NUMBER

CURRENT REV DESC: REMASTERED IN NX		molex	
EC NO: 614469			
DRWN: VNANDAM	2019/03/28	CUSTOM HEADER	
CHK'D: GJEEVANSURES	2019/04/10	2.00MM DUAL ROW RIGHT ANGLE THROUGH HOLE	
APPR: ISHWARG	2019/04/15	PRODUCT CUSTOMER DRAWING	
INITIAL REVISION:		DOCUMENT NUMBER	DOC TYPE
DRWN: ATSEE	2013/12/17	SD-87760-500	PSD
APPR: ATSEE	2013/12/17	DOC PART	REVISION
		001	A