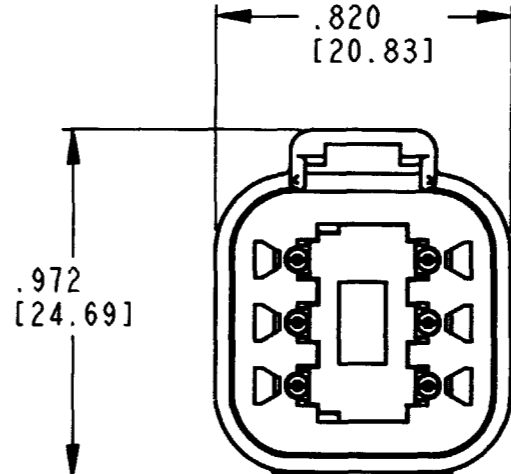
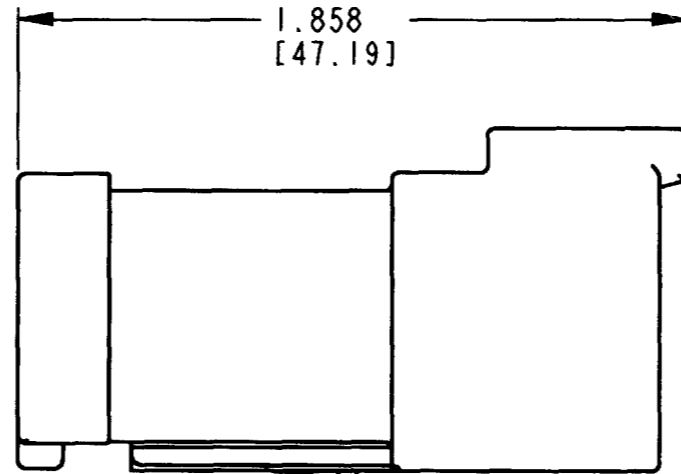
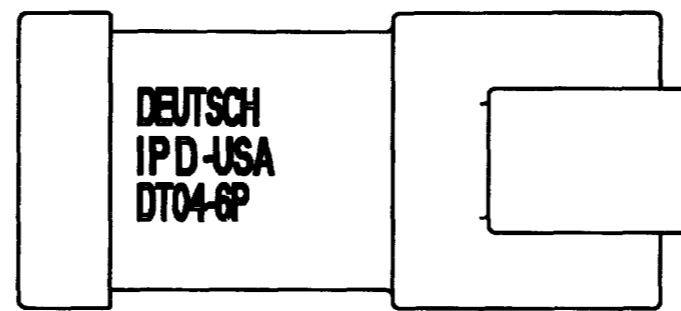
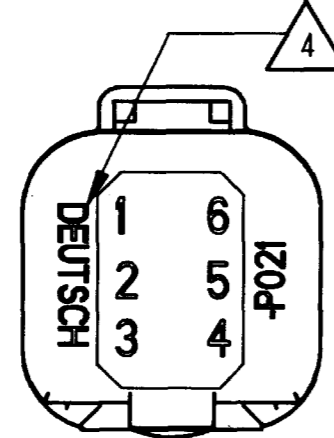


3D VIEW



REV	DT04-6P-P021	REVISIONS			
NC		SYM	DESCRIPTION	DATE	APPROVED
		NC	NEW RELEASE PER E.O. P16753	7-21-00	RDR



- 5. THE 6 PIN BUSBAR HAS A MAXIMUM CURRENT RATING OF 39 AMPS.
- △ ORIENTATION OF "DEUTSCH" AND "-P021" TO BE OPTIONAL.
- 3. THIS DT04-6P-P021 MATES WITH DT06-6S-**** (**** = ALL MODIFICATIONS). CONSULT FACTORY FOR MODIFICATIONS.
- 2. DIMENSIONS ARE ±.025[0.63] UNLESS OTHERWISE SPECIFIED.
- 1. DIMENSIONS ARE IN INCHES [MILLIMETERS].

NOTES:

DR	T. YOHANNES 7/06/00	DT 6 WAY RECEPTACLE 6 PIN BUSBAR-NICKEL PLATED COLOR: GREY	CP	MATL. CODE
CHK	<i>[Signature]</i> 7/11/00		The Deutsch Company DEUTSCH I.P.D. 3850 INDUSTRIAL AVE. HEMET, CALIF. 92545	
PE	<i>[Signature]</i> 7/11/00			
APPD	<i>[Signature]</i> 7-21-00			B DT04-6P-P021
SCALE	NONE WT	ENVELOPE	DWG. SIZE	CODE 11139 SHEET OF