

6

5

4

3



2

1

**MATERIAL AND FINISH:**

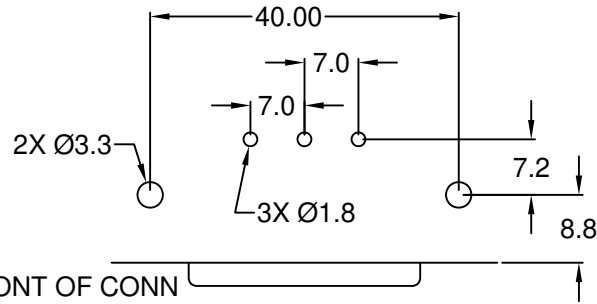
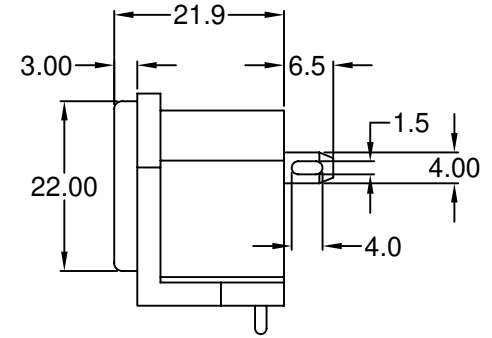
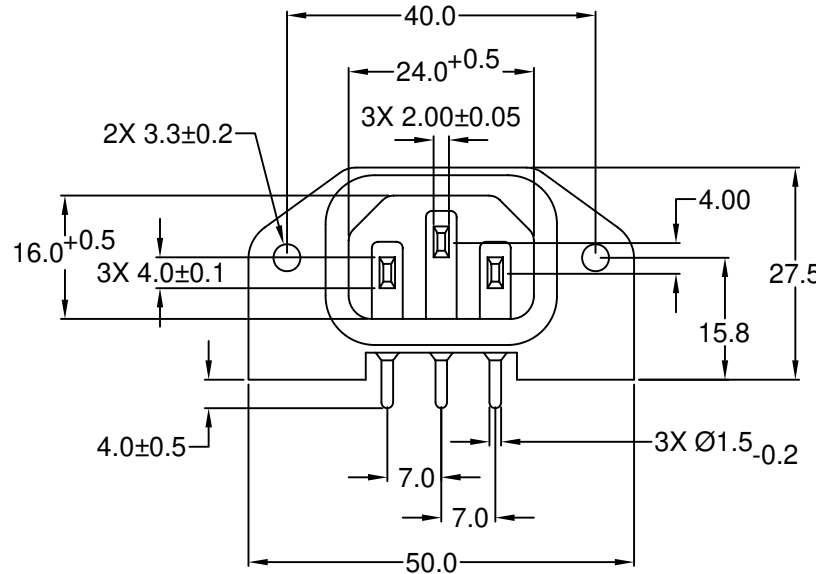
Insulator: PBT, color black, UL-94V-0 rated  
Contacts: Brass, Nickel plated

**ELECTRICAL SPECIFICATIONS:**

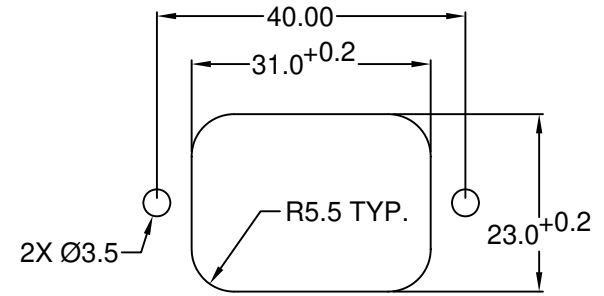
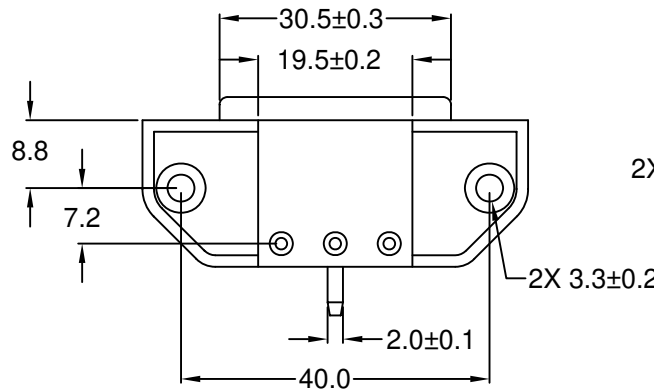
Current rating: 10 A   
Voltage rating: 250 VAC  
Current rating: 15 A   
Voltage rating: 250 VAC  
Insulation resistance: 100 Mohm min. at 500 VDC  
Dielectric withstanding voltage: 2000 VAC for one minute

**MECHANICAL SPECIFICATIONS:**

Recommended screw size: Metric screw with Ø3.30mm or #6-32 US



RECOMMENDED PCB LAYOUT (TOP VIEW)



RECOMMENDED PANEL CUTOUT

**RoHS COMPLIANT**

REV	DATE	CHANGE	CHNG		CHK		APPR	
			SS	TD	PB	TD	PB	TD
A	04/06/00	REVISED & REDRAWN	SS	TD	PB	TD	PB	TD
B	4/13/00	REVISED & UPDATED	TD	JJ	PB	TD	SS	
C	12/13/00	Revise mounting hole dia.	JJ	TD	PB	TD		
D	9/27/01	REMED'D SCREW SIZE	TD	JJ	PB	TD		
E	11/26/01	REVISED / UPDATED	GQ	TD	PB	TD		
F	6/23/03	ADD 21.9 DIM	TD	TD	PB	TD		

TOLERANCE UNLESS OTHERWISE SPECIFIED	
X	± 1
X.X	± 0.4
X.XX	± 0.20

DRAWN BY	SS	DATE:	12/10/98
CHECK BY	AH	DATE:	12/10/98
APPR BY	SS	DATE:	12/10/98

**Power Dynamics, Inc.**  
Phone: 973 560-0019 Whippany, New Jersey Fax: 973 560-0076

PART: IEC 60320 C14 APPL. INLET; PCB TERMINALS, 7.2mm FOOTPRINT, SIDE FLANGE

**42R65**

PART #: 42R65

SIZE: A SCALE: NTS

ALL DIMENSIONS FOR REFERENCE ONLY DIMENSIONS ARE IN MILLIMETERS

SHEET 1 of 1 REV: F