

LOC	DIST	REVISIONS					
A	66	P	LTR	DESCRIPTION	DATE	DWN	APVD
			D2	SEE PRODUCTION DRAWING	-	-	-


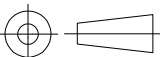
SEE PRODUCTION DRAWING  
567323-3

RELEASED FOR PUBLICATION

ALL RIGHTS RESERVED.

THIS DRAWING IS UNPUBLISHED.

© COPYRIGHT - By -

DIMENSIONS: INCHES	DWN	M.YOUNGER	26MAY2011	MATERIAL	-	FINISH	-
	CHK	M.YOUNGER	-	 TE Connectivity			
TOLERANCES UNLESS OTHERWISE SPECIFIED:	APVD	M.YOUNGER	-				
0 PLC ± -	PRODUCT SPEC	-	NAME	MINIATURE QUICK CHANGE APPLICATOR			
1 PLC ± -	APPLICATION SPEC	-	SIZE	CAGE CODE	DRAWING NO	RESTRICTED TO	-
2 PLC ± -	WEIGHT	-	A4	00779	C-567323-3	SCALE	1:1
3 PLC ± -						SHEET	1 OF 1
4 PLC ± -						REV	D2
ANGLES ± -							
		CUSTOMER DRAWING					