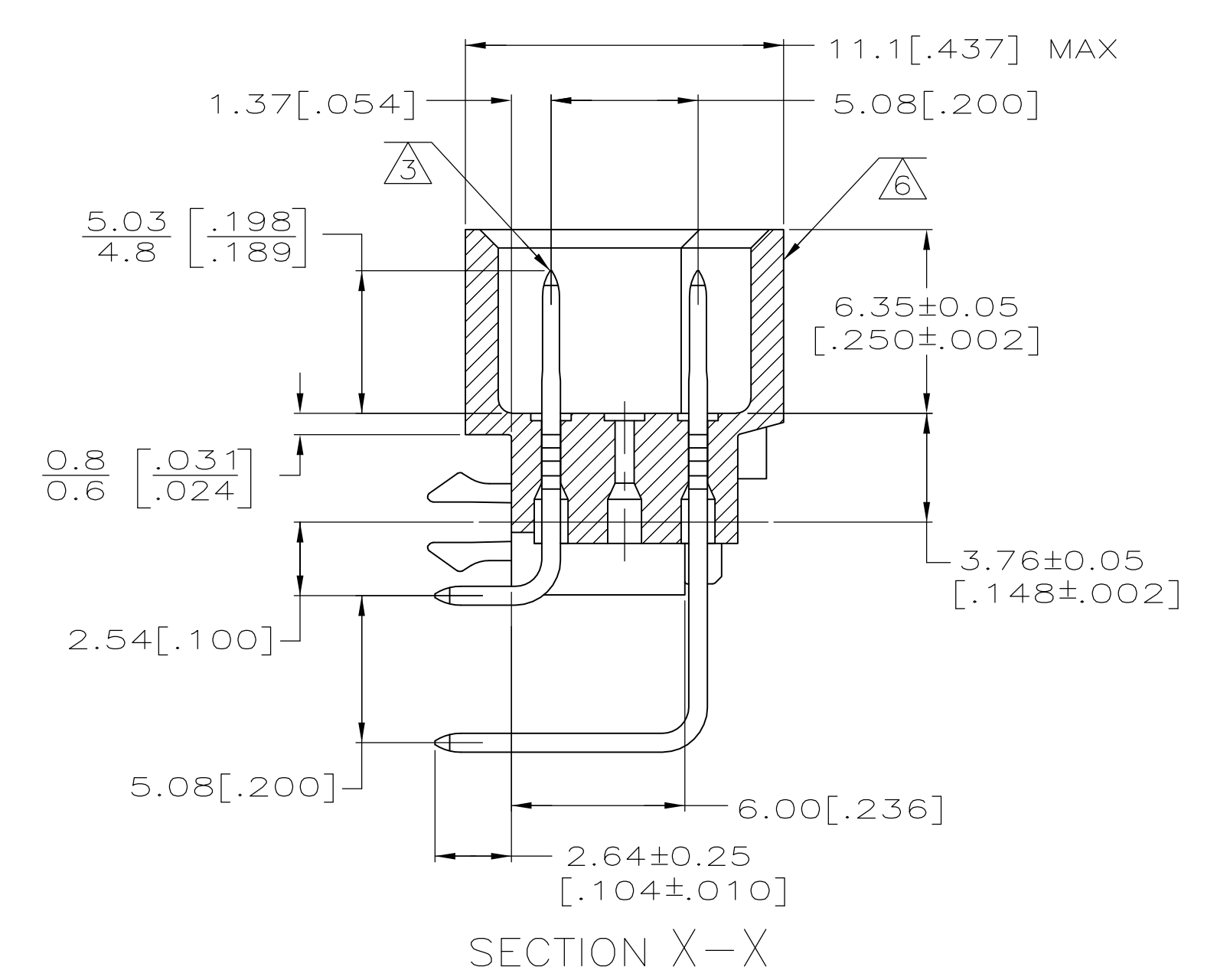


PC BOARD LAYOUT
 RECOMMENDED PC BOARD THICKNESS 1.57[.062]

- 1 HOUSING MATERIAL: GLASS-FILLED POLYMER.
- 2 POST MATERIAL: COPPER ALLOY.
- 3 POST FINISH: DIN 41612 CLASS 2 IN CONTACT AREA. TIN PLATE ON POSTS.
- 4 RECOMMENDED HOLE SIZE FOR MANUAL APPLICATION OF CONNECTOR ONTO PC BOARD.
- 5 [PART NUMBER, DATE CODE] MARKED THIS APPROXIMATE AREA.
- 6 MARKING ON THIS SIDE.



REFERENCE FAMILY DRAWING 650473 FOR ALL TYPE C HEADER OFFERINGS

1-32	X	-	X	96	5536356-5
POSITIONS LOADED	C	B	A	NO. OF LOADED	ASSY PART NUMBER

THIS DRAWING IS A CONTROLLED DOCUMENT.

DIMENSIONS: mm [INCHES]	TOLERANCES UNLESS OTHERWISE SPECIFIED:	DIN J. POLIGNONE	OSMAYOS
0 PLC ± -	1 PLC ± -	OSMAYOS	OSMAYOS
2 PLC ± 0.13[.005]	3 PLC ± -	A. SHARPE	OSMAYOS
4 PLC ± -	ANGLES ± -	A. SHARPE	OSMAYOS

NAME: ASSEMBLY, PIN, EUROCARD, TYPE C, A and C, 64/96 POSITION, .104 SOLDER POST WITH BOARD-LOCKS

SIZE: A1
 CAGE CODE: 00779
 DRAWING NO: 5536356
 RESTRICTED TO: -

MATERIAL: 1, 2
 FINISH: 3
 WEIGHT: -
 CUSTOMER DRAWING

SCALE: 5:1
 SHEET: 1 of 1
 REV: A