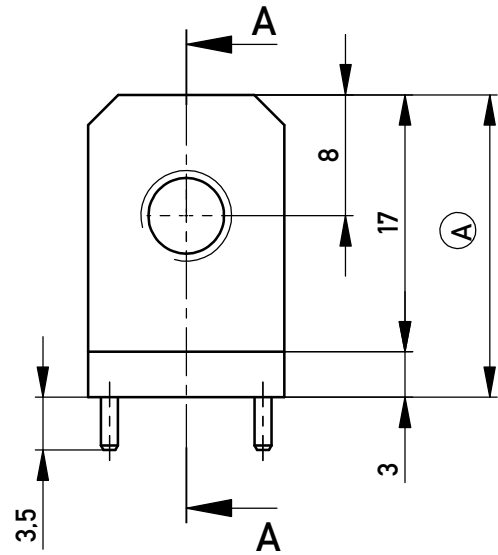
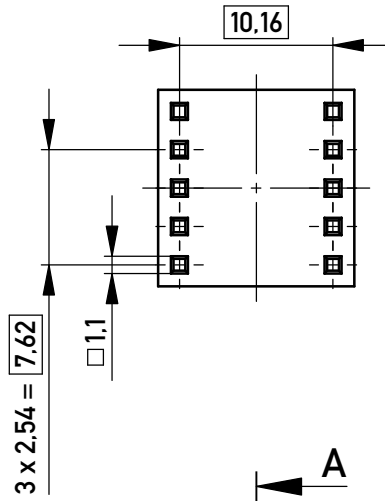
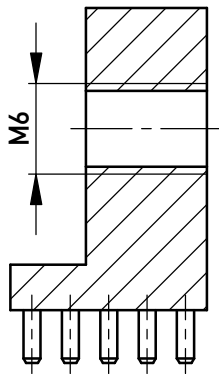
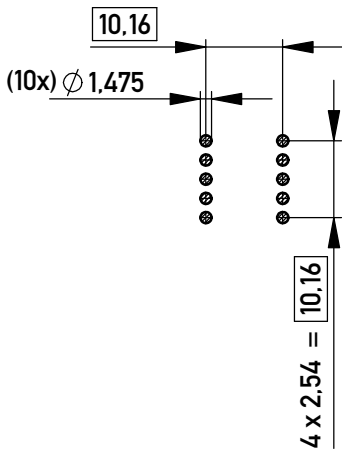


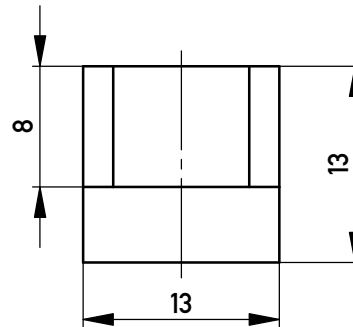
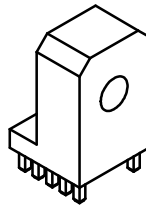
Schnitt A-A  
cross section A-A



Layout - Vorschlag  
PCB - Layout proposal  
M / scale 1:1



M / scale 1:1



2-6µm Sn matt über 2-4µm Cu  
2-6µm sn matt over 2-4µm cu

(A) Oberfläche / plating

Copyright by ERNI Production GmbH & Co. KG  
Proprietary notice pursuant to ISO 16016 to be observed.

Information:	Tolerances	<p>All Dimensions in mm</p>	Scale	2:1				
	<p>All rights reserved. Only for Information. To ensure that this is the latest version of this drawing, please contact one of the ERNI companies before using.</p>		<p>Subject to modification without prior notice. Drawing will not be updated.</p>	Material:	CuZn39Pb3			
Designation		<p><b>PowerElement angled</b> <i>two row population M6</i></p>						
<table border="1"> <tr> <td>b</td> <td>15.02.2018</td> </tr> <tr> <td>Index</td> <td>Date</td> </tr> </table>		b	15.02.2018	Index	Date		www.ERNI.com	<p><b>225714</b></p>
b	15.02.2018							
Index	Date							
Class			POWELM					
			<table border="1"> <tr> <td>I</td> </tr> <tr> <td>A4</td> </tr> </table>		I	A4		
I								
A4								