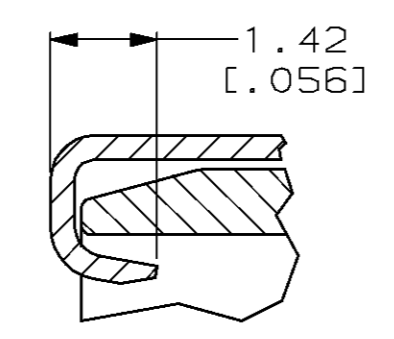
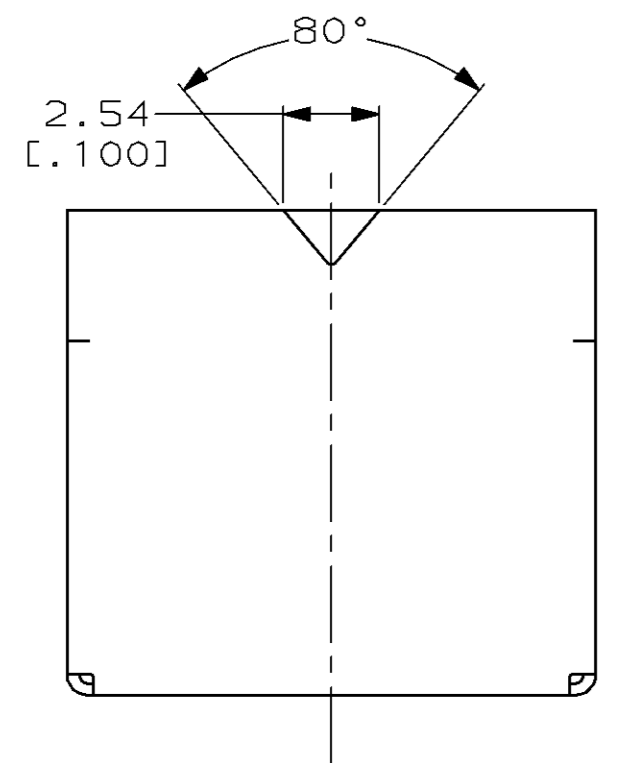
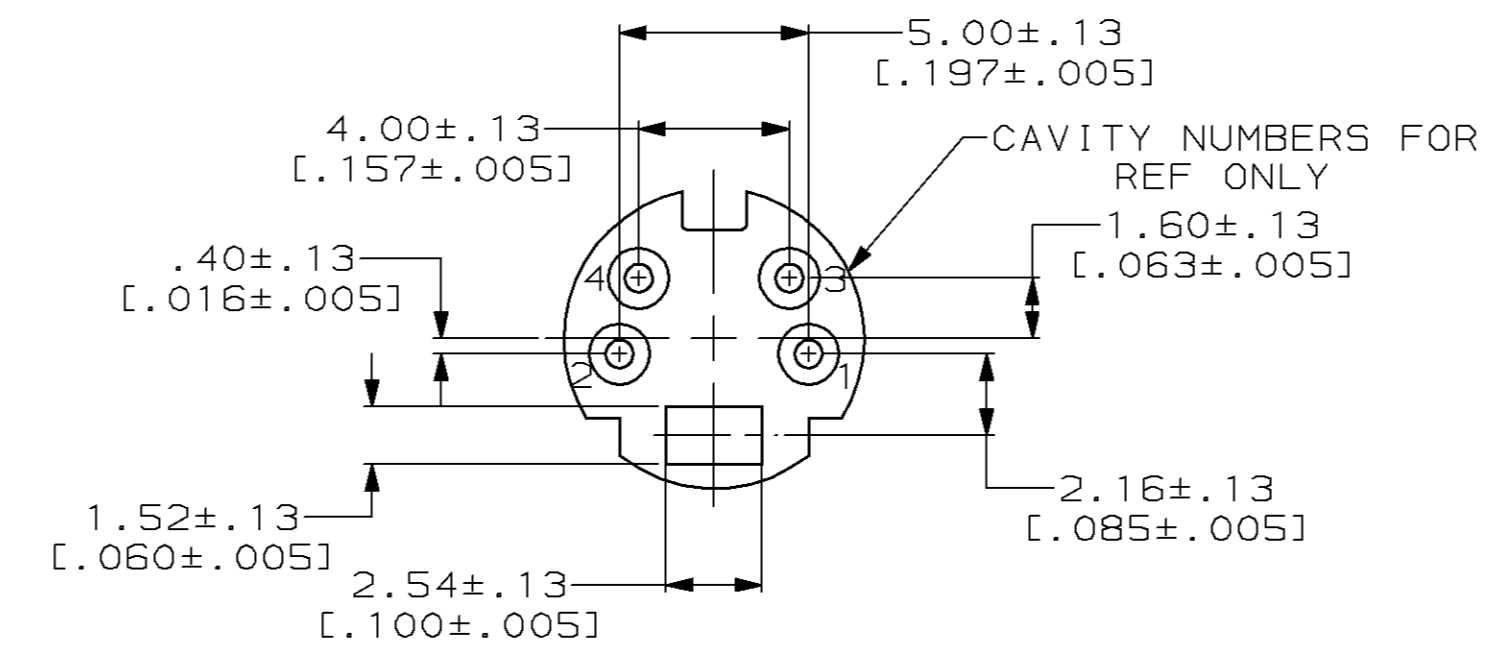


LOC	DIST	P	F	ZONE	LTR	REVISIONS			
						DESCRIPTION	DATE	APPD	
	26					O	RLSE NPR 2275 WAS 88-4837-17	01/05/89	-
						C	REVISED ECN-803213	8-16-89	-
						D	REV PER ECN 0020-143-92	01/28/93	RB
						E	REVISED PER EC0020-1578-93	01/25/94	RB
						F	REV PER EC 0020-792-94	03/04/95	RB
						G	REV PER EC 0020-824-95	12 OCT 95	JH
						H	REV PER EC 0410-95-96	03 MAR 97	JGH
						J	REV PER EC 0410-281-97	28 SEP 97	JGH
						K	REV PER EC 0410-410-97	05 FEB 98	JGH

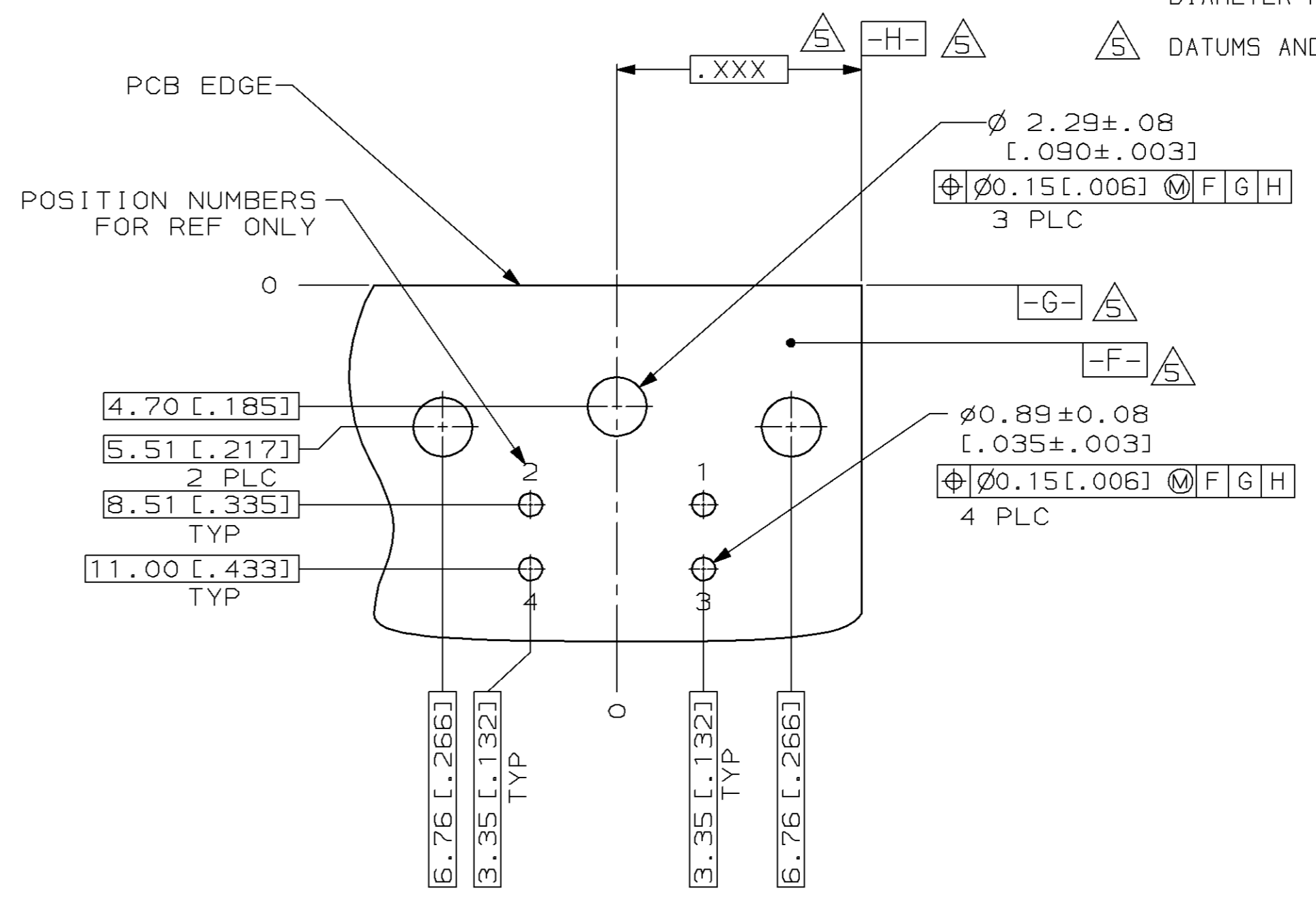
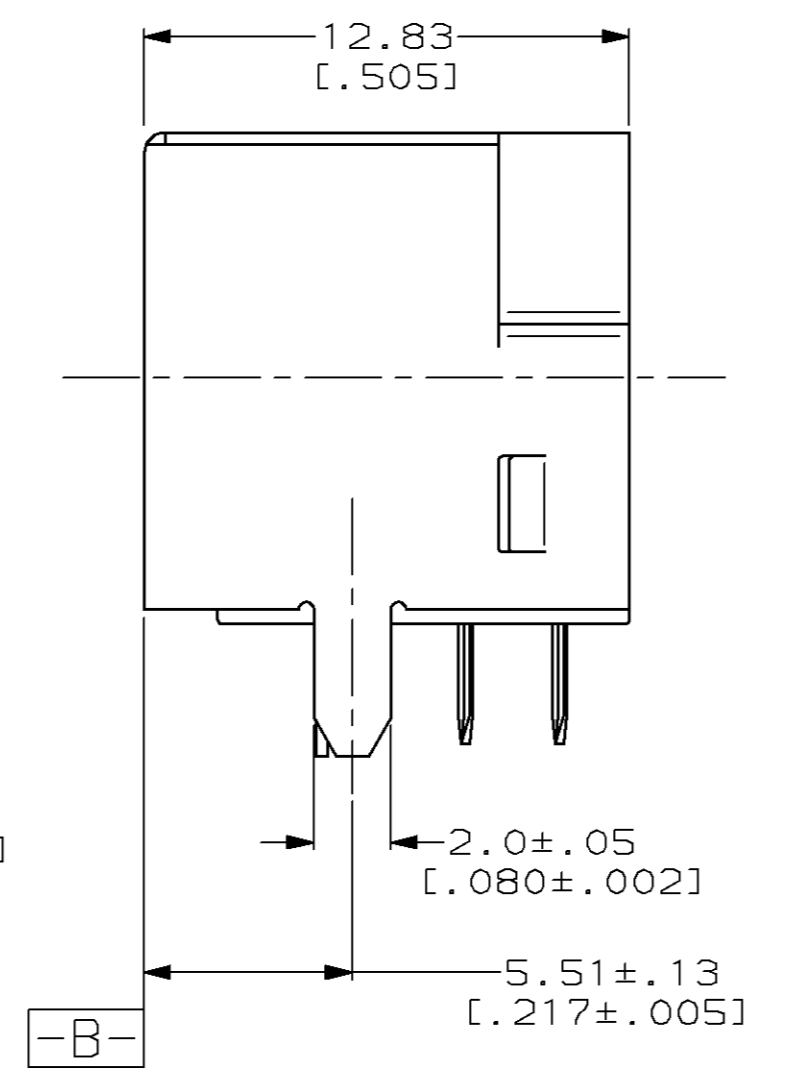
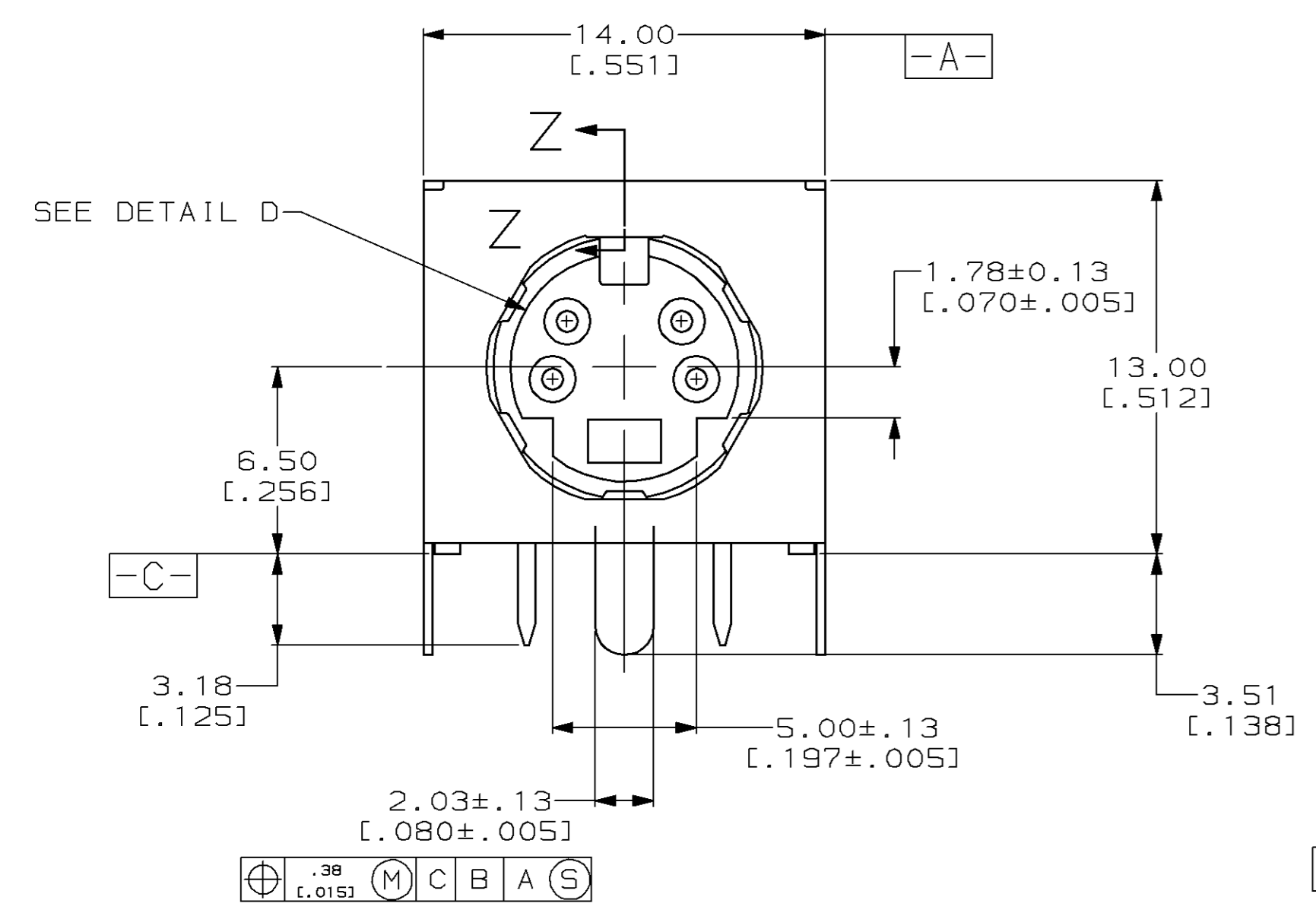


SECTION Z-Z
SCALE 10:1

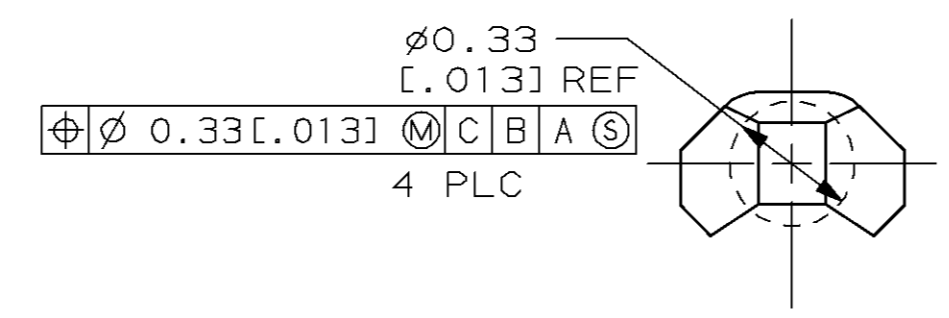
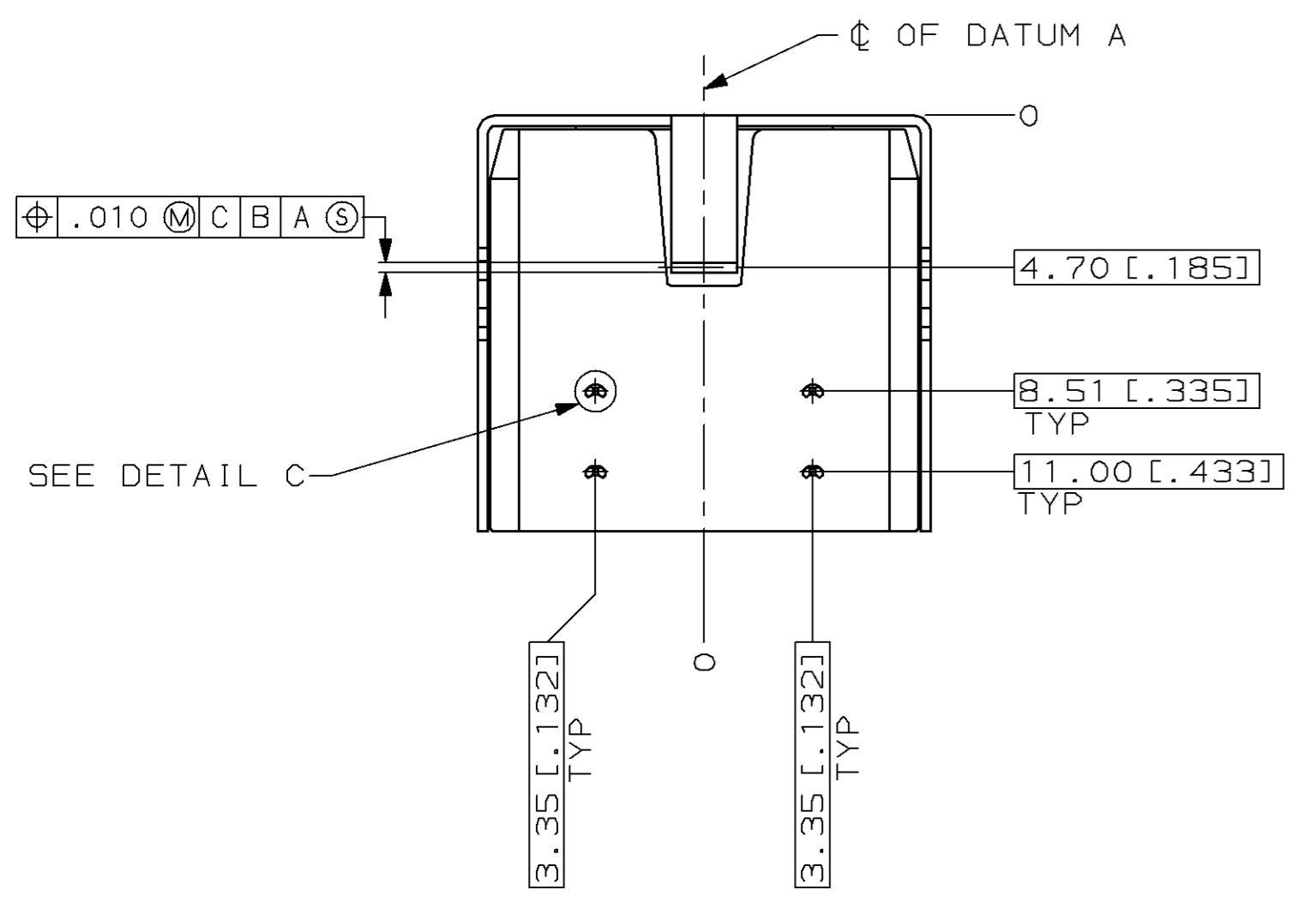


DETAIL D
4 PIN FACE

- 1 RECEPTACLE CONTACTS: COPPER ALLOY.
RECEPTACLE SHIELD: COPPER ALLOY.
HOUSING: THERMOPLASTIC, BLACK, 94V-0 RATED.
- 2 PLATING:
RECEPTACLE CONTACTS - GOLD PLATED .00076 MIN [0.000030 MIN] THICK ON MATING END, TIN-LEAD PLATED .0030 MIN [0.000120 MIN] THICK ON SOLDER TAIL ALL OVER .0013 MIN [0.000050 MIN] THICK NICKEL.
- 3 PLATING:
SHIELD: 1.50-4.00µm [0.000059-.000158] THICK BRIGHT TIN.
- 4. RECEPTACLE ASSEMBLY MATES WITH 4 PIN 9.00±.10 [0.354±.004] DIAMETER PLUG.
- 5 DATUMS AND BASIC DIMENSION SUPPLIED BY CUSTOMER.



4 PIN PCB LAYOUT
BOTTOM VIEW



DETAIL C
SCALE 50:1

DO NOT SCALE PRINT. UNLESS SPECIFIED DIMENSIONS IN mm [INCHES] TOLERANCES ON: 2 PLC DEC ± - 3 PLC DEC ± 0.381 [0.015] ANGLES ± 0°30'		DR 1-24-89 P. COSMOS	AMP INCORPORATED Harrisburg, Pa. 17105	
MATERIAL		CHK 1-24-89 C. OHL		
FINISH		APPD 1-24-89 B.H. MOSSER	NAME	
WEIGHT		APPD 1-24-89 E.C. MYERS	RECEPTACLE ASSY, 4 POS, RIGHT ANGLE, MINIATURE CIRCULAR DIN	
SCALE 5:1		PRODUCT SPEC 108-1225	SIZE D	FSCM NO 00779
		APPLICATION SPEC	DRAWING NO 749264	SHEET 1 OF 1

749264-1
PART NO